

[54] DISPENSING CAP FOR BOTTLE OR THE LIKE

[76] Inventor: Frank E. Brown, 1741 Camino De Villas, Burbank, Calif. 91501

[\*\*] Term: 14 Years

[21] Appl. No.: 858,420

[22] Filed: Dec. 7, 1977

[51] Int. Cl. ....D09-99

[52] U.S. Cl. .... D9/265

[58] Field of Search ..... 222/545, 554; D9/254, D9/265; 222/544, 547, 548, 562

[56] References Cited

U.S. PATENT DOCUMENTS

604,259	5/1898	Parker	222/544
607,285	7/1898	Scholz	222/544
1,882,697	10/1932	Aldridge	222/554
3,016,173	1/1962	Stull	222/545

FOREIGN PATENT DOCUMENTS

681324 8/1950 United Kingdom ..... 222/545

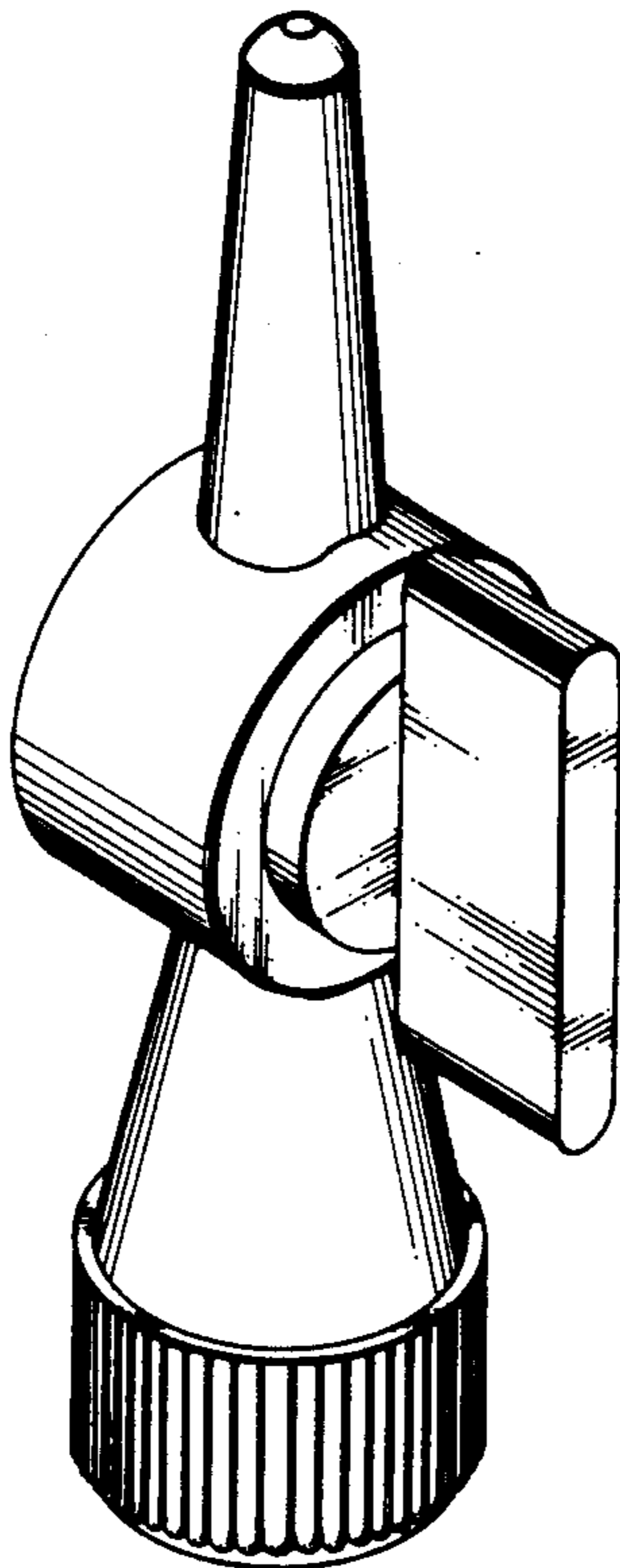
Primary Examiner—Joel Stearman  
Assistant Examiner—Carmen H. Vales  
Attorney, Agent, or Firm—Christie, Parker & Hale

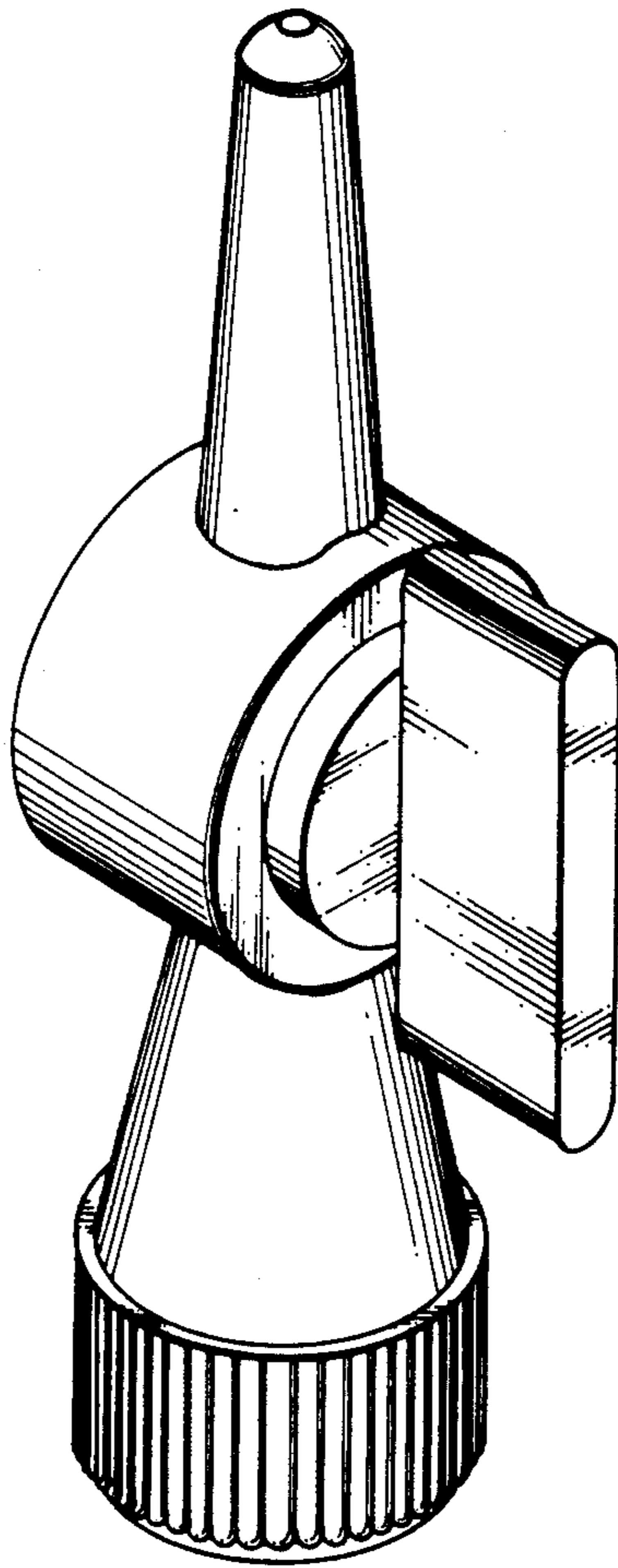
[57] CLAIM

The ornamental design for a dispensing cap for bottle or the like, substantially as shown and described.

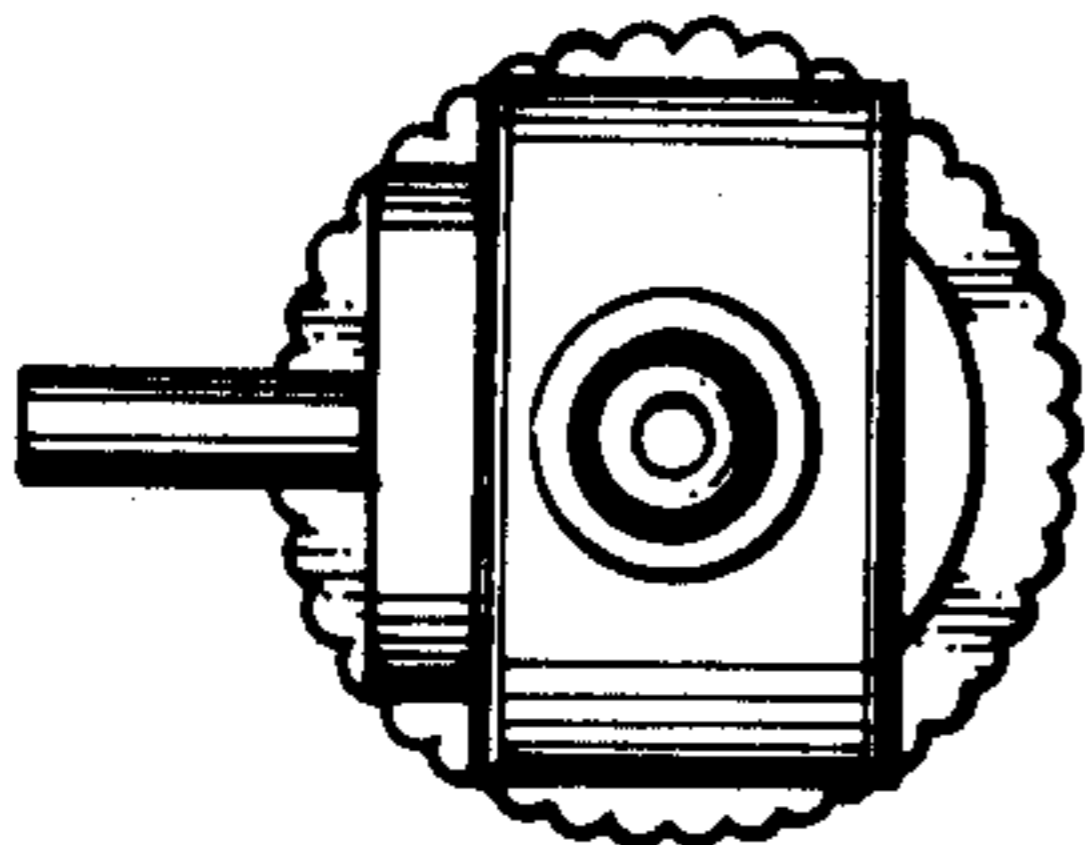
DESCRIPTION

FIG. 1 is a perspective view of a dispensing cap for bottle or the like showing my new design;  
FIG. 2 is a top plan view thereof;  
FIG. 3 is a bottom plan view thereof;  
FIG. 4 is a front elevational view thereof;  
FIG. 5 is a side elevational view from the left of FIG. 4; and  
FIG. 6 is a side elevational view from the right of FIG. 4.

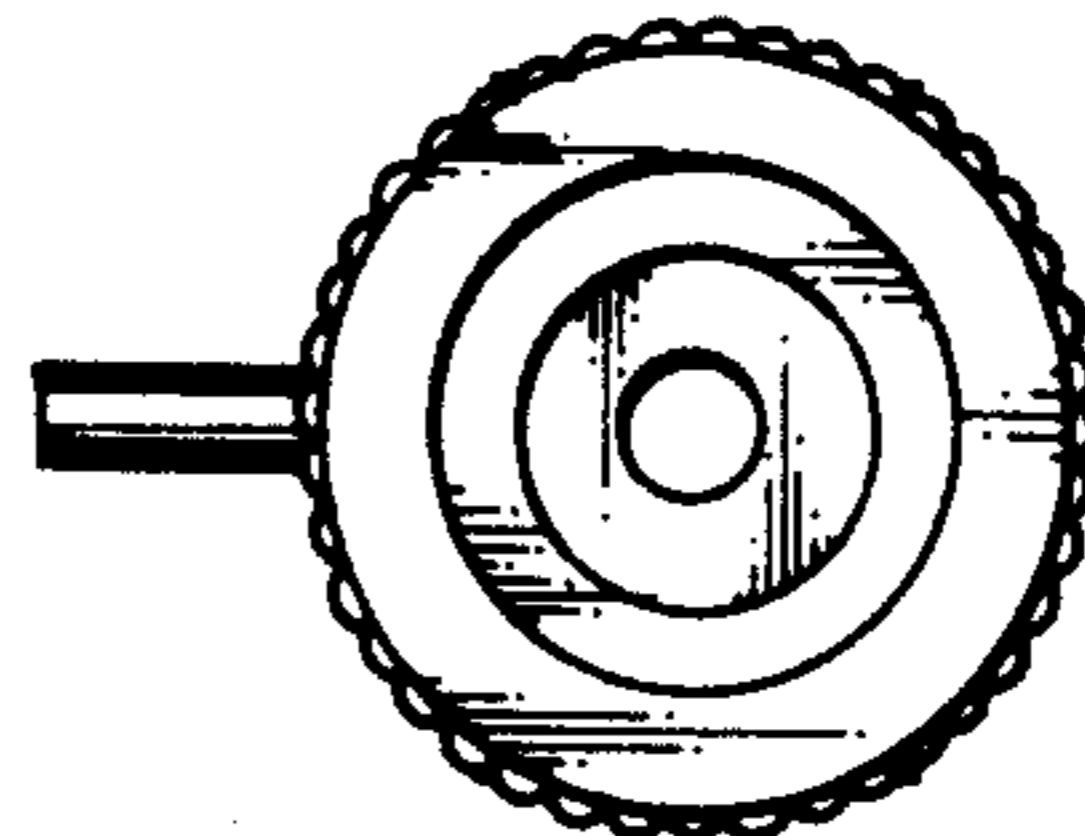




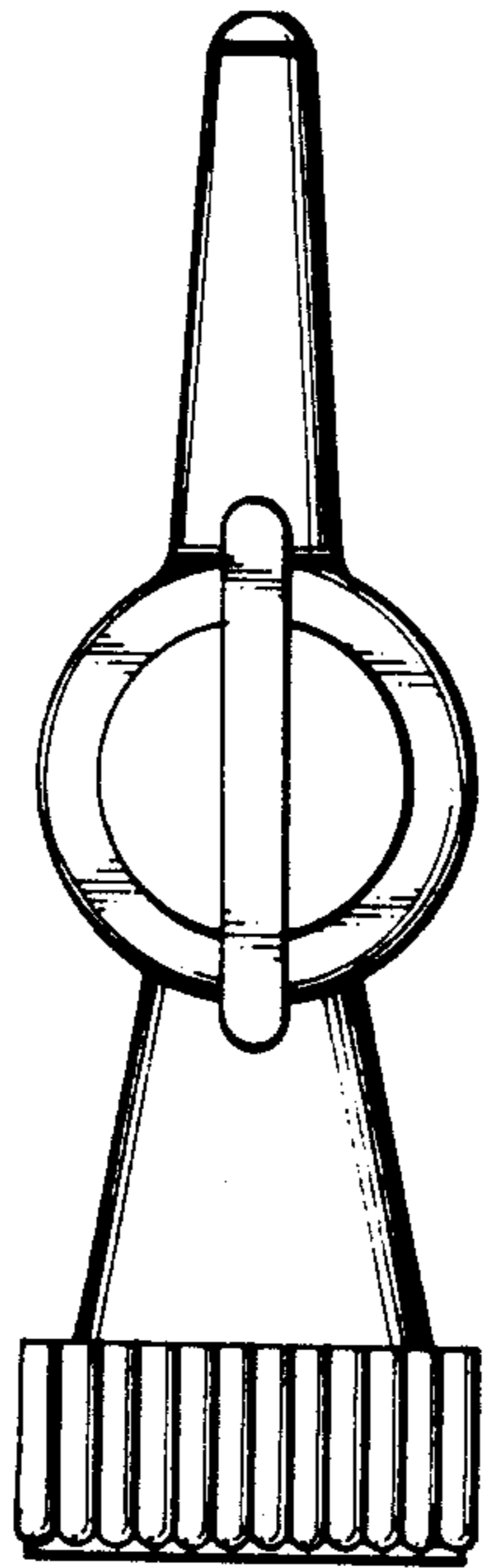
*Fig. 1*



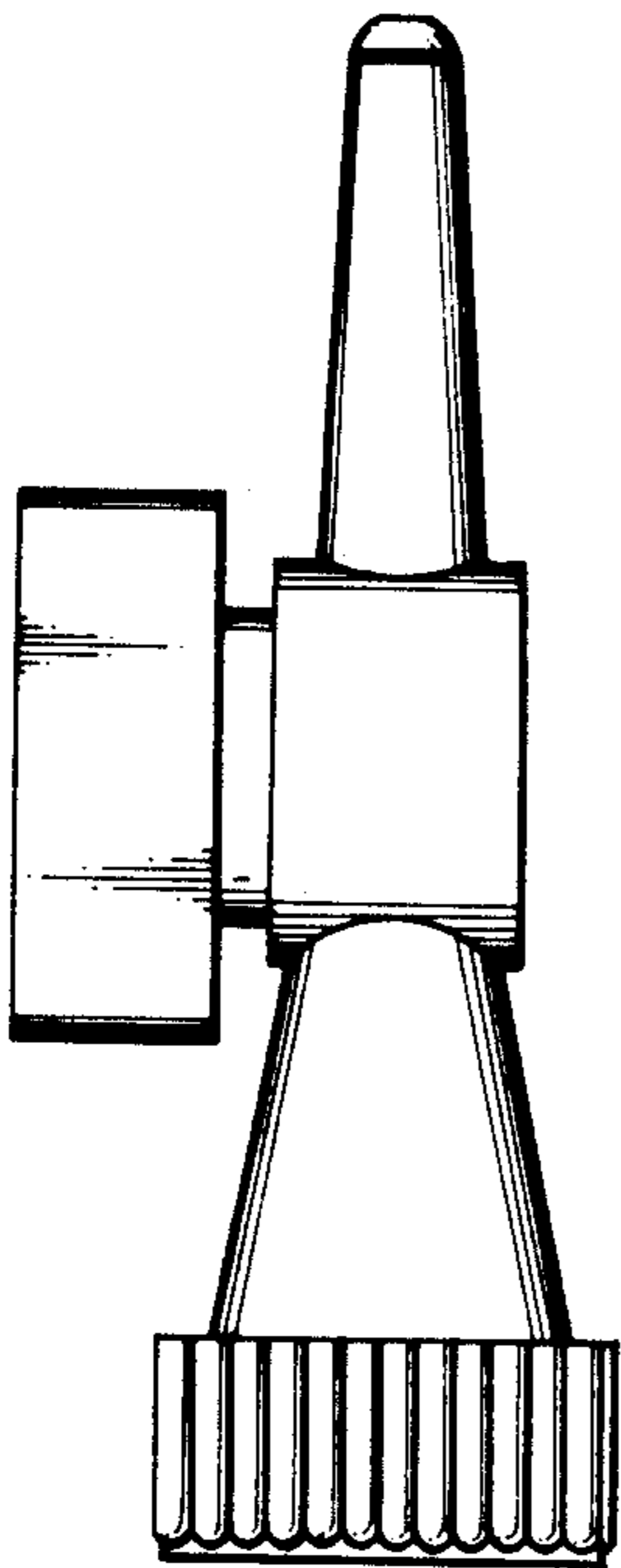
*Fig. 2*



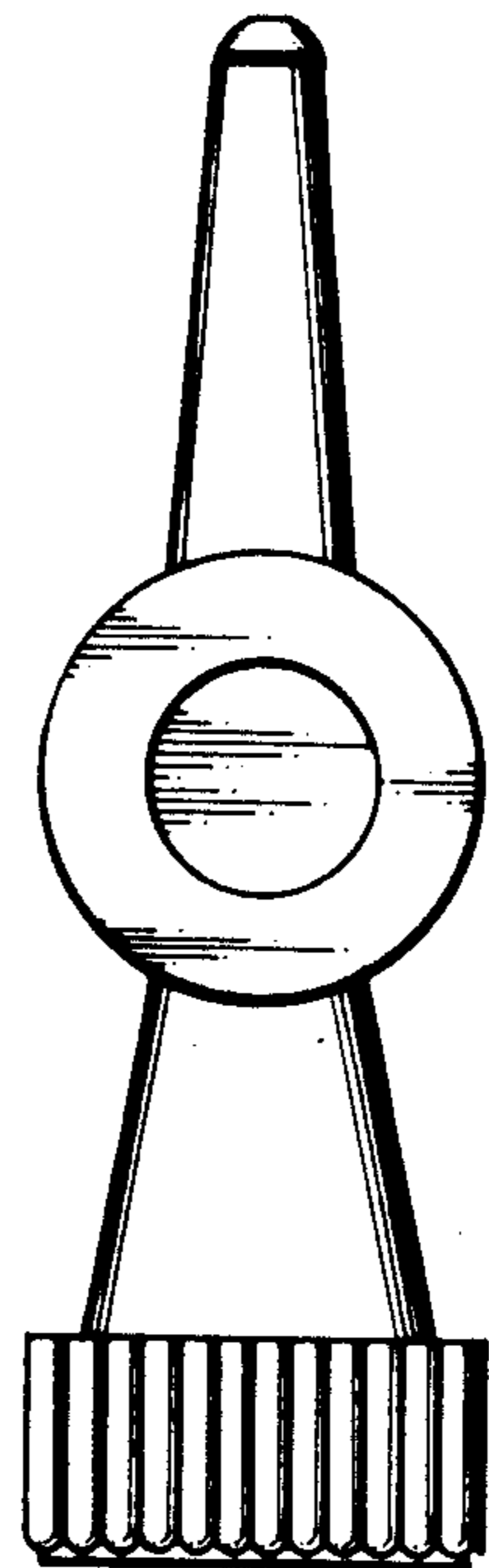
*Fig. 3*



*Fig. 5*



*Fig. 4*



*Fig. 6*