

[54] SAILBOAT GOOSENECK

4,114,551 9/1978 Hall 114/98

[76] Inventor: Richard L. Ireland, 8182 Guilders St.,
Huntington Beach, Calif. 92647

OTHER PUBLICATIONS

Nicro/Fico Catalog, Copyright 1978, page 67, item No. NF733.

[**] Term: 14 Years

Primary Examiner—W. Stallard

[21] Appl. No.: 830,904

Attorney, Agent, or Firm—Mahoney, Schick & Cislo

[22] Filed: Sep. 6, 1977

[57] CLAIM

[51] Int. Cl. D8—06; D8—08

The ornamental design for a sailboat gooseneck, as shown and described.

[52] U.S. Cl. D8/356; D8/382;

114/97; 114/98; 114/109

[58] Field of Search D8/356, 382; 114/97,
114/98, 109; 403/79, 157, 24, 287

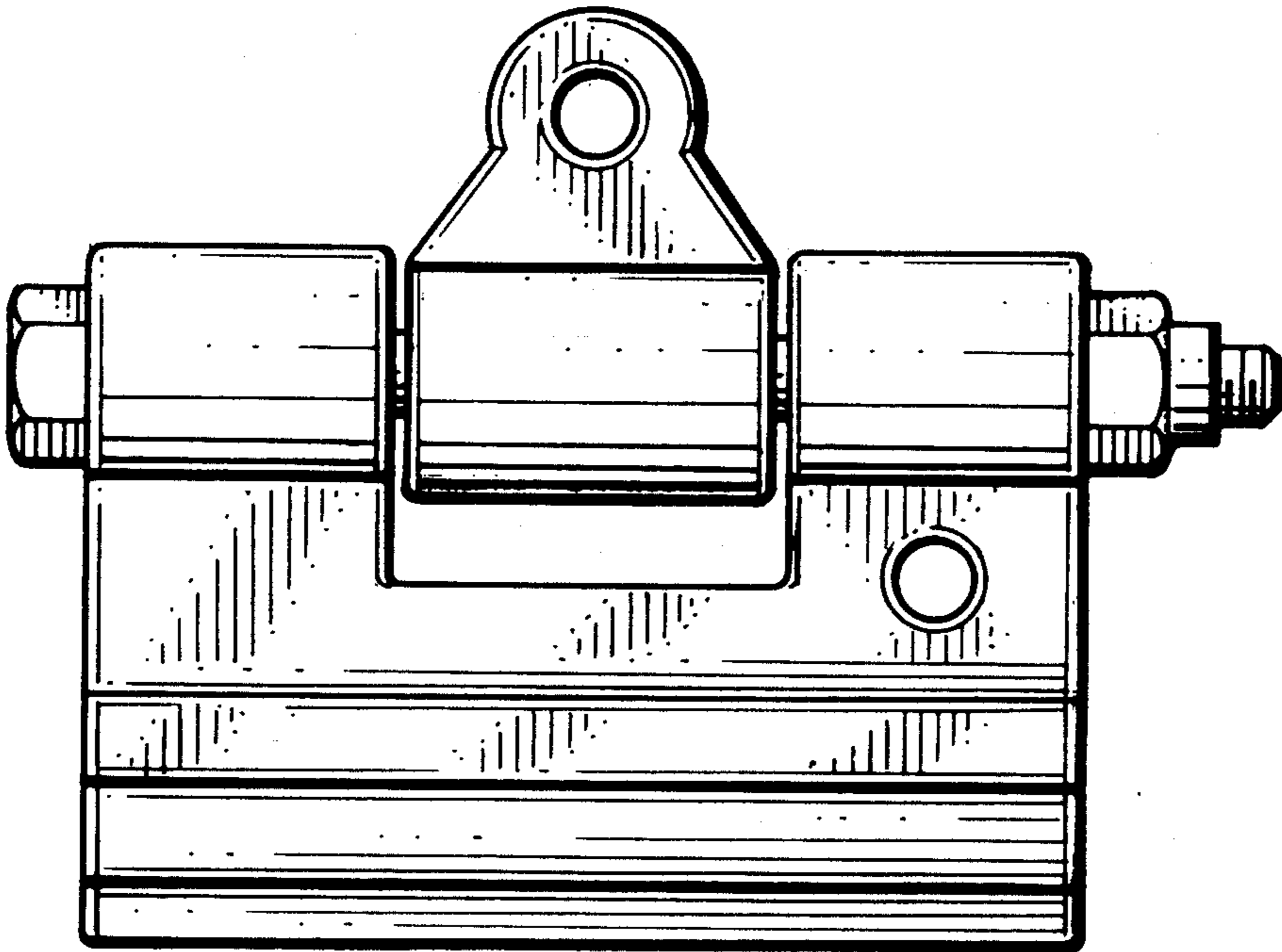
DESCRIPTION

[56] References Cited

FIG. 1 is a top plan view;
FIG. 2 is a side elevational view;
FIG. 3 is a bottom plan view;
FIG. 4 is a rear end elevational view; and
FIG. 5 is a front end elevational view.

U.S. PATENT DOCUMENTS

2,596,632 5/1952 Whitehead 403/79



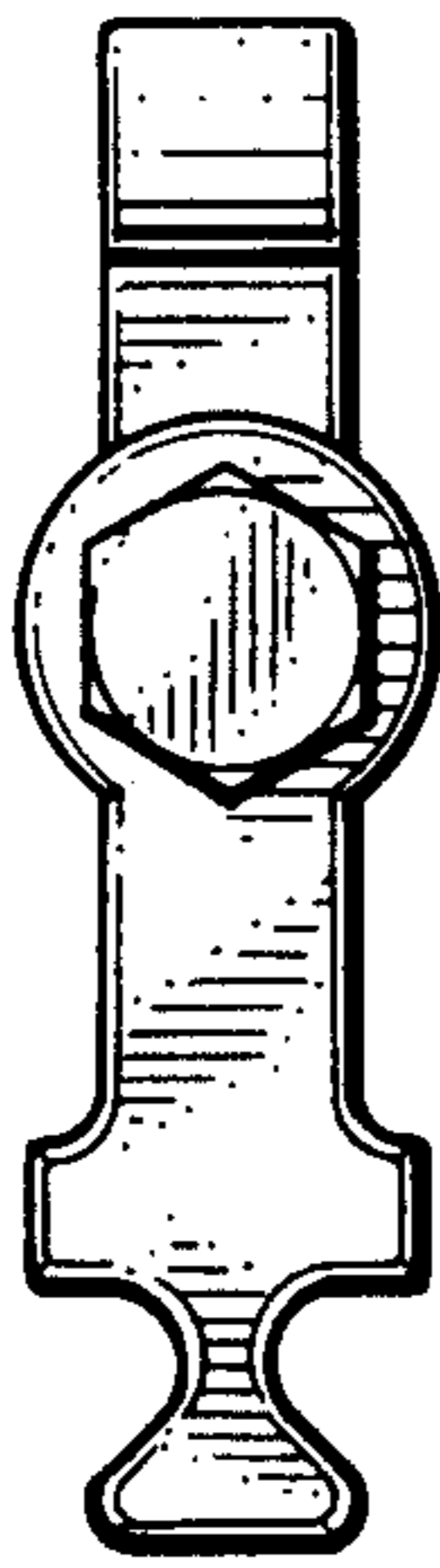


Fig. 1.

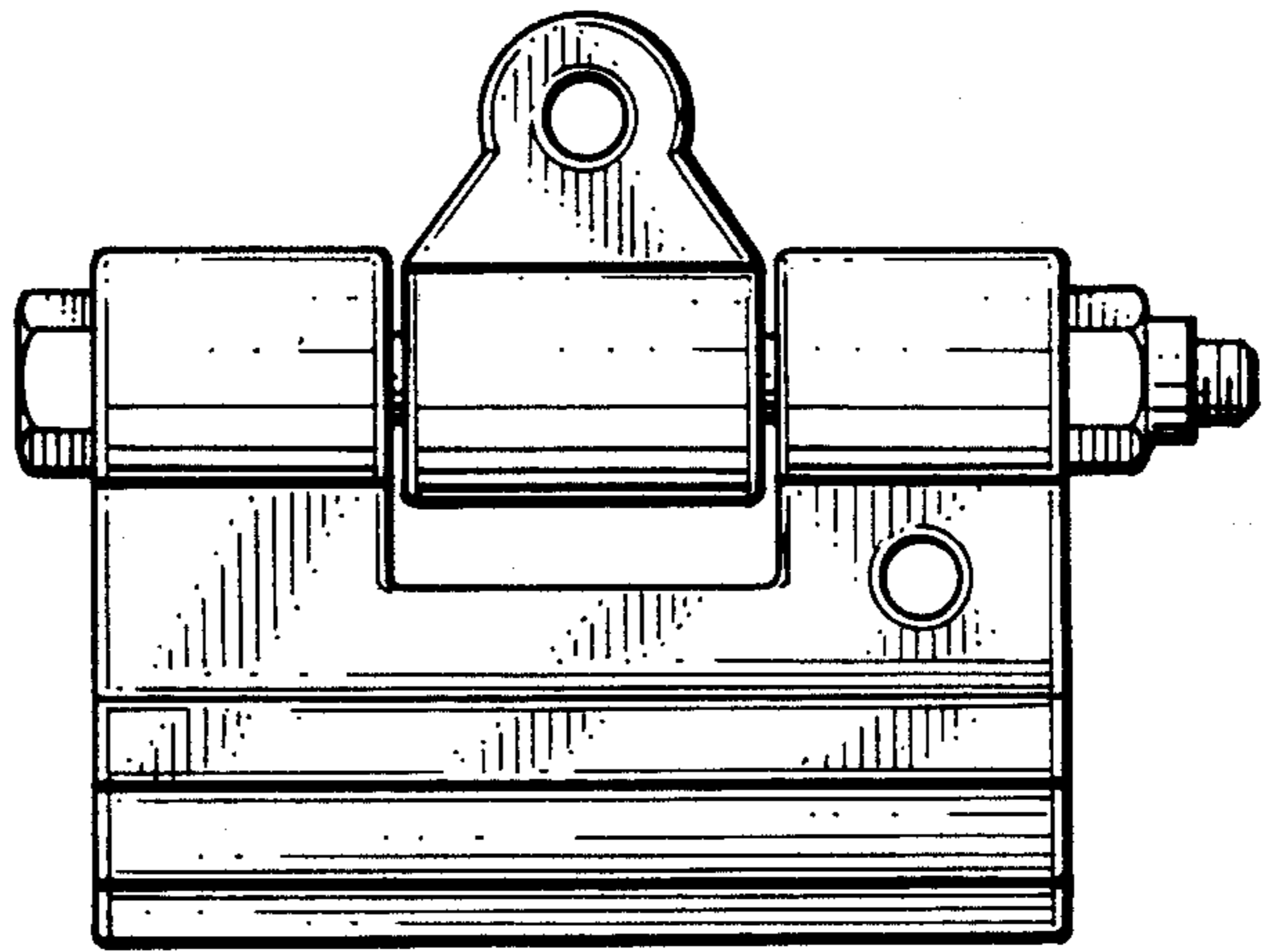


Fig. 2.



Fig. 3.

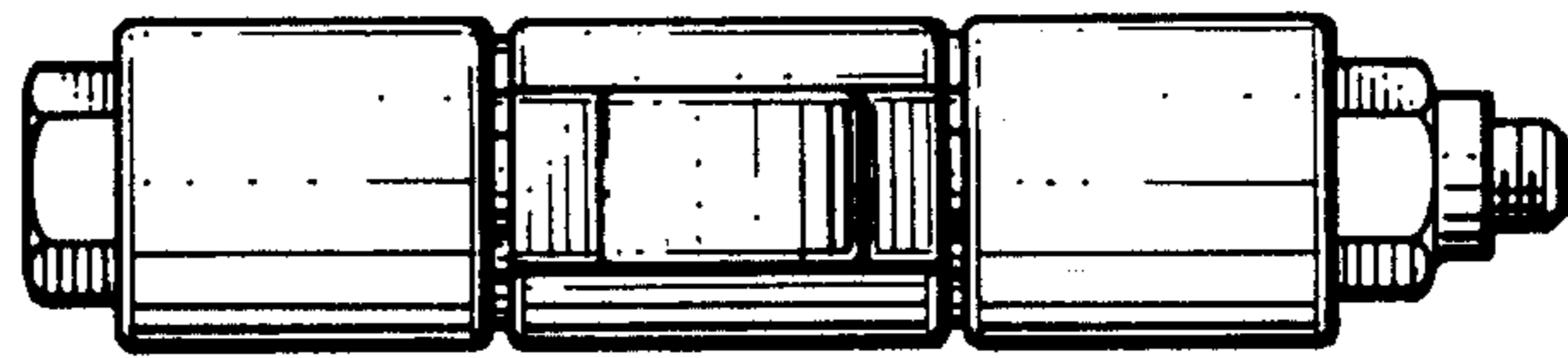


Fig. 4.

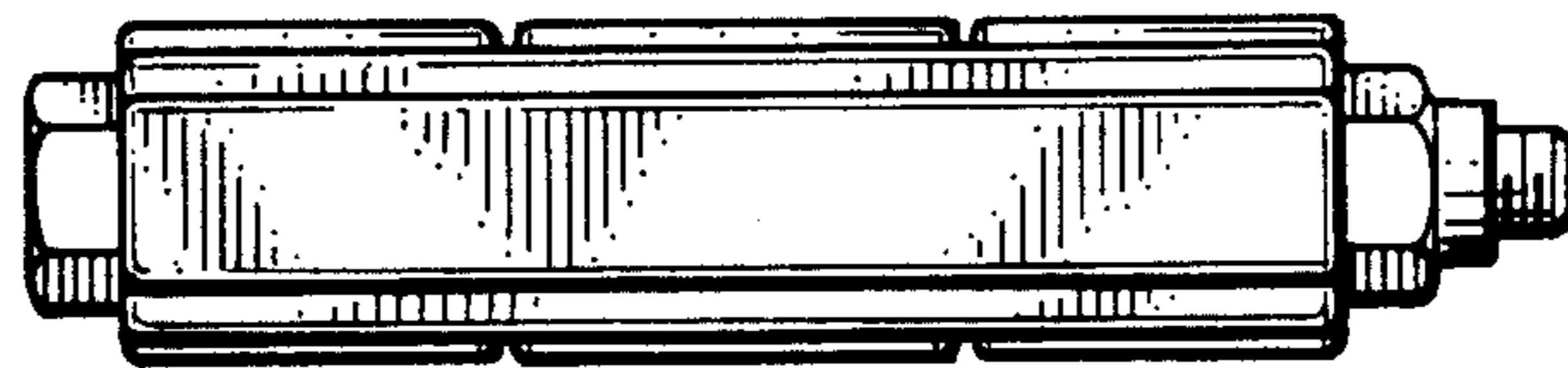


Fig. 5.