

[54] **STAY FOR HOLDING A GAS PUMP NOZZLE TRIGGER IN THE OPEN POSITION**

4,095,629 6/1978 Jordan 141/392

[76] **Inventor:** Bernard M. Stelman, 82 Main St., Wethersfield, Conn. 06109

[**] **Term:** 14 Years

[21] **Appl. No.:** 937,102

[22] **Filed:** Aug. 28, 1978

[51] **Int. Cl.** D8-09

[52] **U.S. Cl.** D8/349; D8/354; 141/392

[58] **Field of Search** D8/354, 349; D3/18, D3/23, 26; D15/7, 8; 74/526; 141/392; 251/89, 90, 101; D10/64

[56] **References Cited**

U.S. PATENT DOCUMENTS

2,637,110 5/1953 Gilbertson D10/62

OTHER PUBLICATIONS

Soyer Lock Cat. 37, © 1937, p. 108, Lock Strike Type F.

Primary Examiner—Wallace R. Burke

Assistant Examiner—B. J. Bullock

[57] **CLAIM**

The ornamental design for a stay for holding a gas pump nozzle trigger in the open position, as shown.

DESCRIPTION

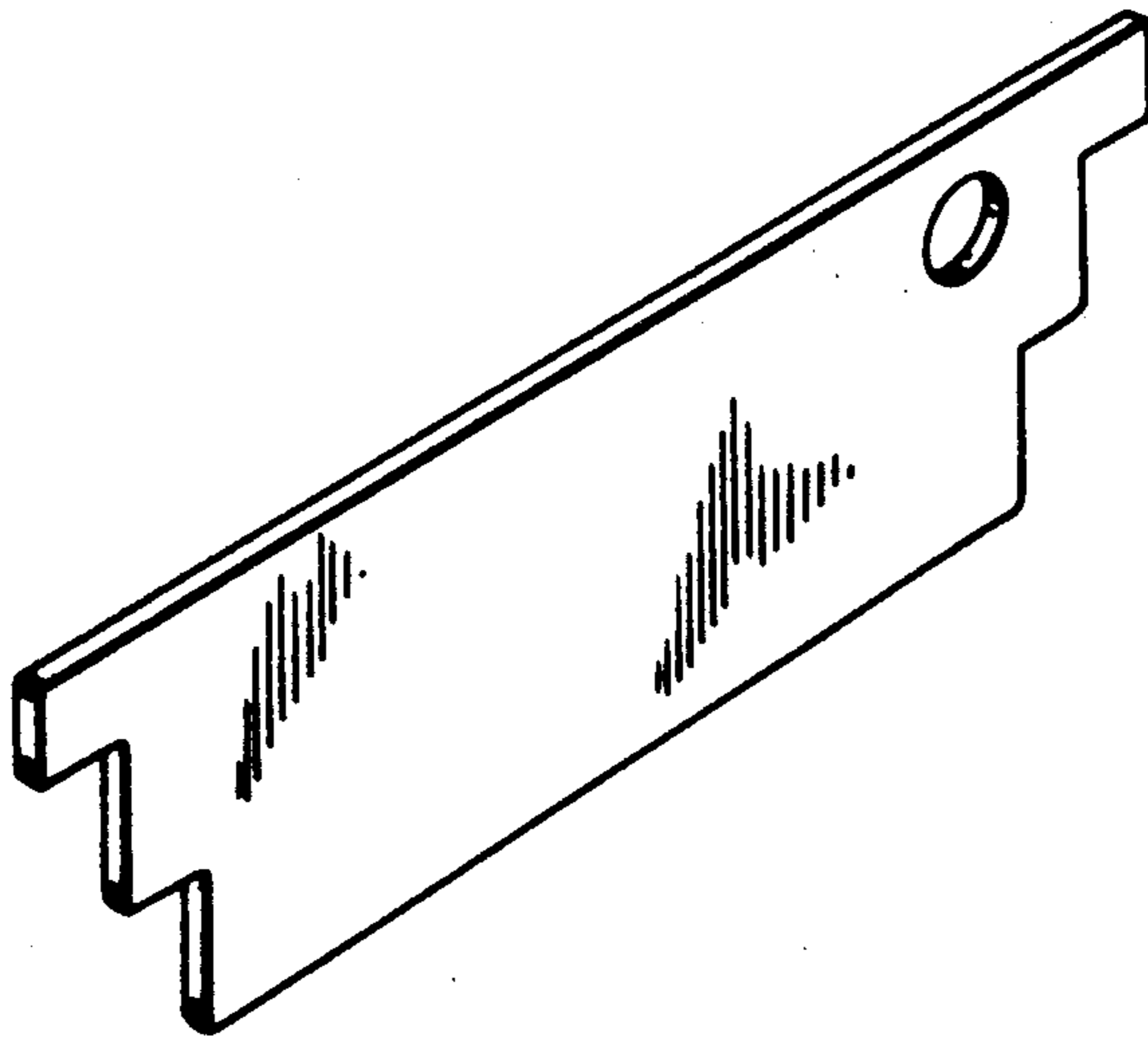
FIG. 1 is a perspective view of a stay for holding a gas pump nozzle trigger in the open position showing my new design;

FIG. 2 is a front elevation view thereof, the rear being a mirror image;

FIG. 3 is a top plan view thereof;

FIG. 4 is a bottom plan view thereof; and

FIG. 5 is an end elevational view thereof, the opposite end being a mirror image thereof.



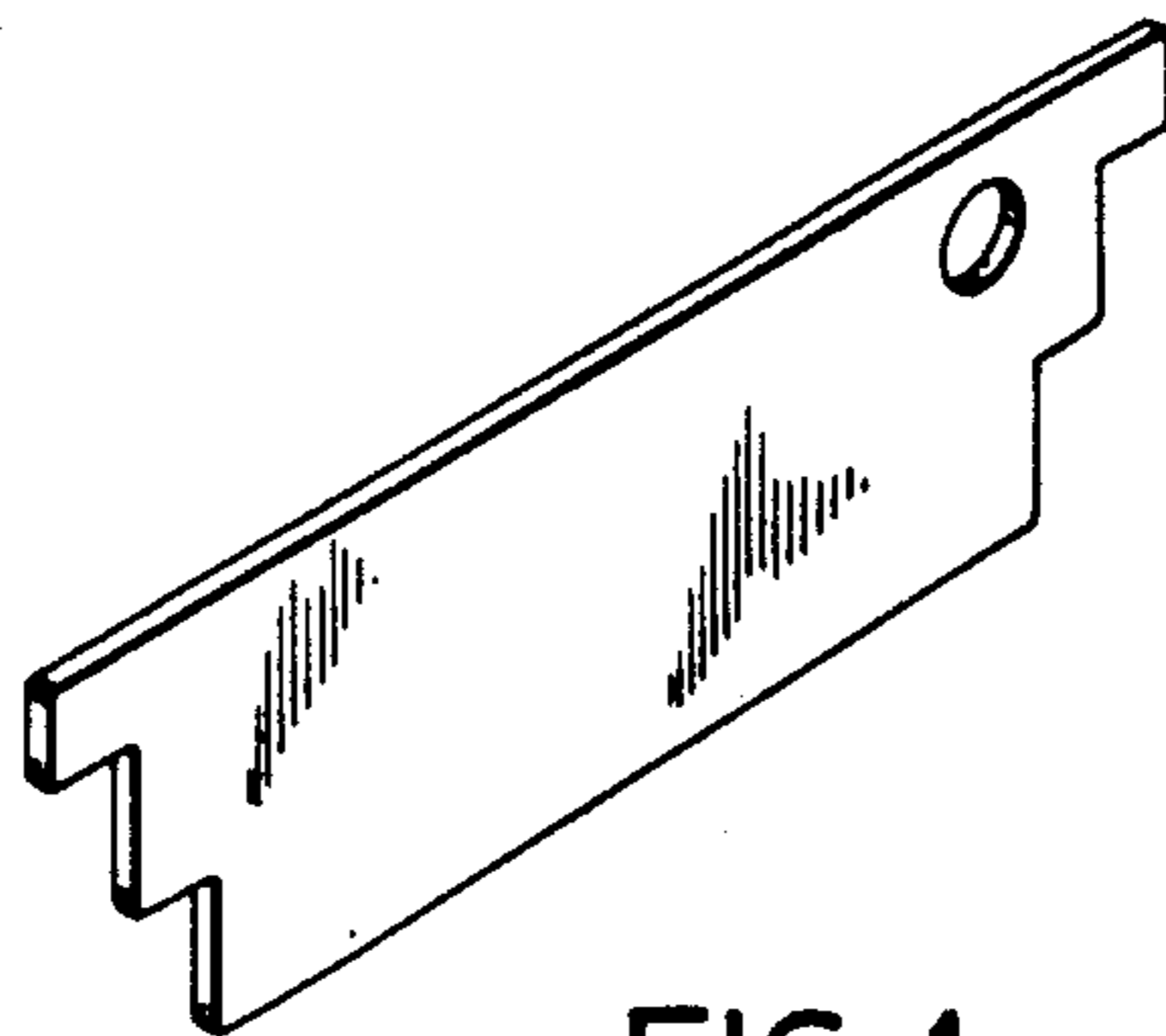


FIG. 1

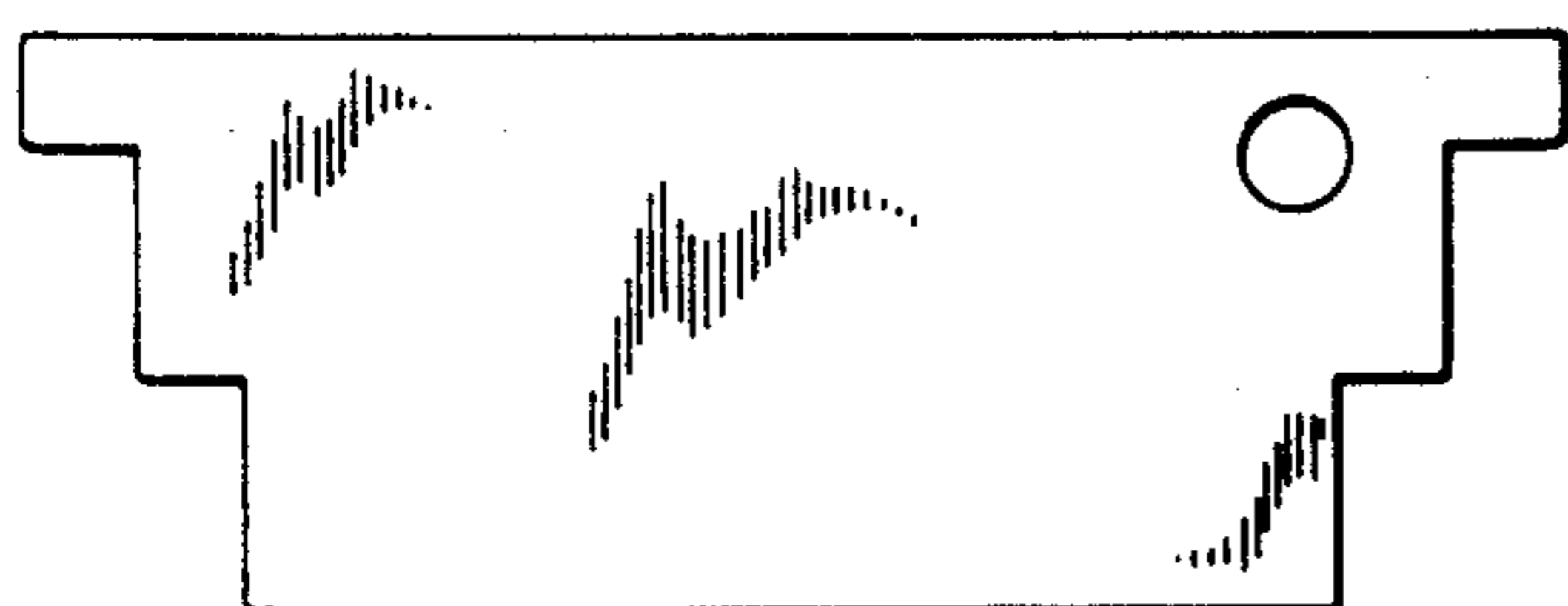


FIG. 2



FIG. 5



FIG. 3

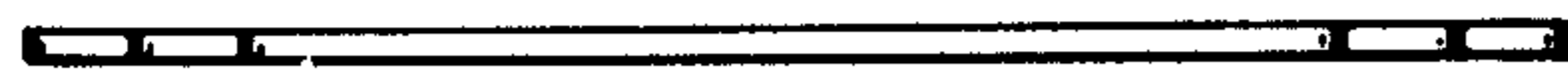


FIG. 4