

[54] PORTABLE BELT SANDER

[75] Inventors: William H. Schultz, Northbrook; E. Harold Lilja, Arlington Heights, both of Ill.

[73] Assignee: Skil Corporation, Chicago, Ill.

[\*\*] Term: 14 Years

[21] Appl. No.: 815,864

[22] Filed: Jul. 14, 1977

[51] Int. Cl. .... D8-05

[52] U.S. Cl. .... D8/62; D8/107

[58] Field of Search ..... D8/62, 69; 51/170 EB

[56] References Cited

U.S. PATENT DOCUMENTS

- D. 166,045 2/1952 Moore ..... D8/62
- D. 176,001 11/1955 Bentley ..... D8/62

OTHER PUBLICATIONS

Sears, Roebuck & Co., 1973/74, Power and Hand Tool Catalog, p. 139, Model 9HT 1172.

Primary Examiner—Peter Feldman

[57] CLAIM

The ornamental design for a portable belt sander, as shown.

DESCRIPTION

FIG. 1 is a perspective view of a portable belt sander embodying our new design;  
 FIG. 2 is a side elevational view thereof;  
 FIG. 3 is a top plan view thereof;  
 FIG. 4 is a side elevational view thereof showing the side opposite that shown in FIG. 2;  
 FIG. 5 is a bottom plan view thereof;  
 FIG. 6 is a front elevational view thereof; and  
 FIG. 7 is a rear elevational view thereof.

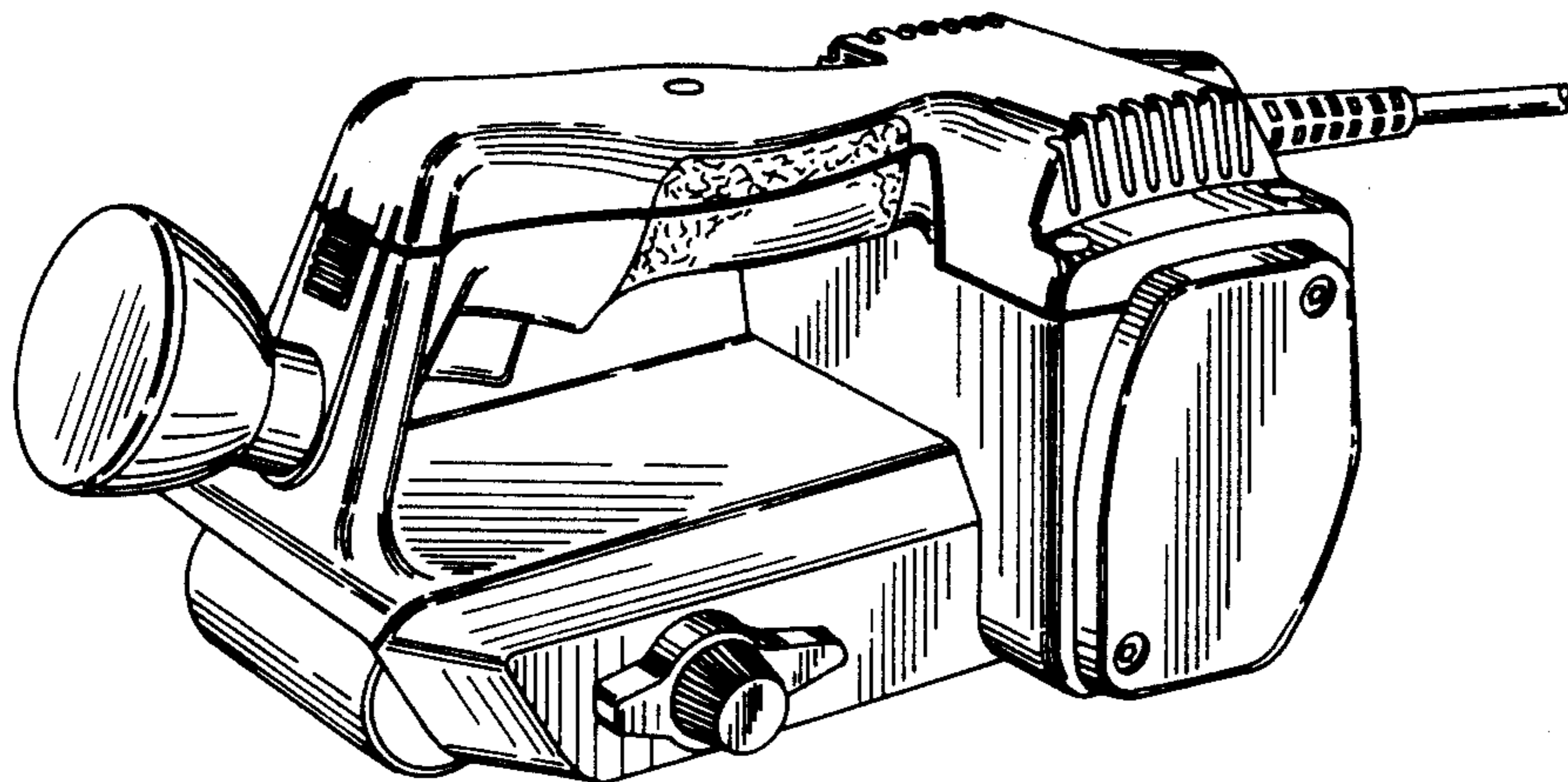


FIG. 1

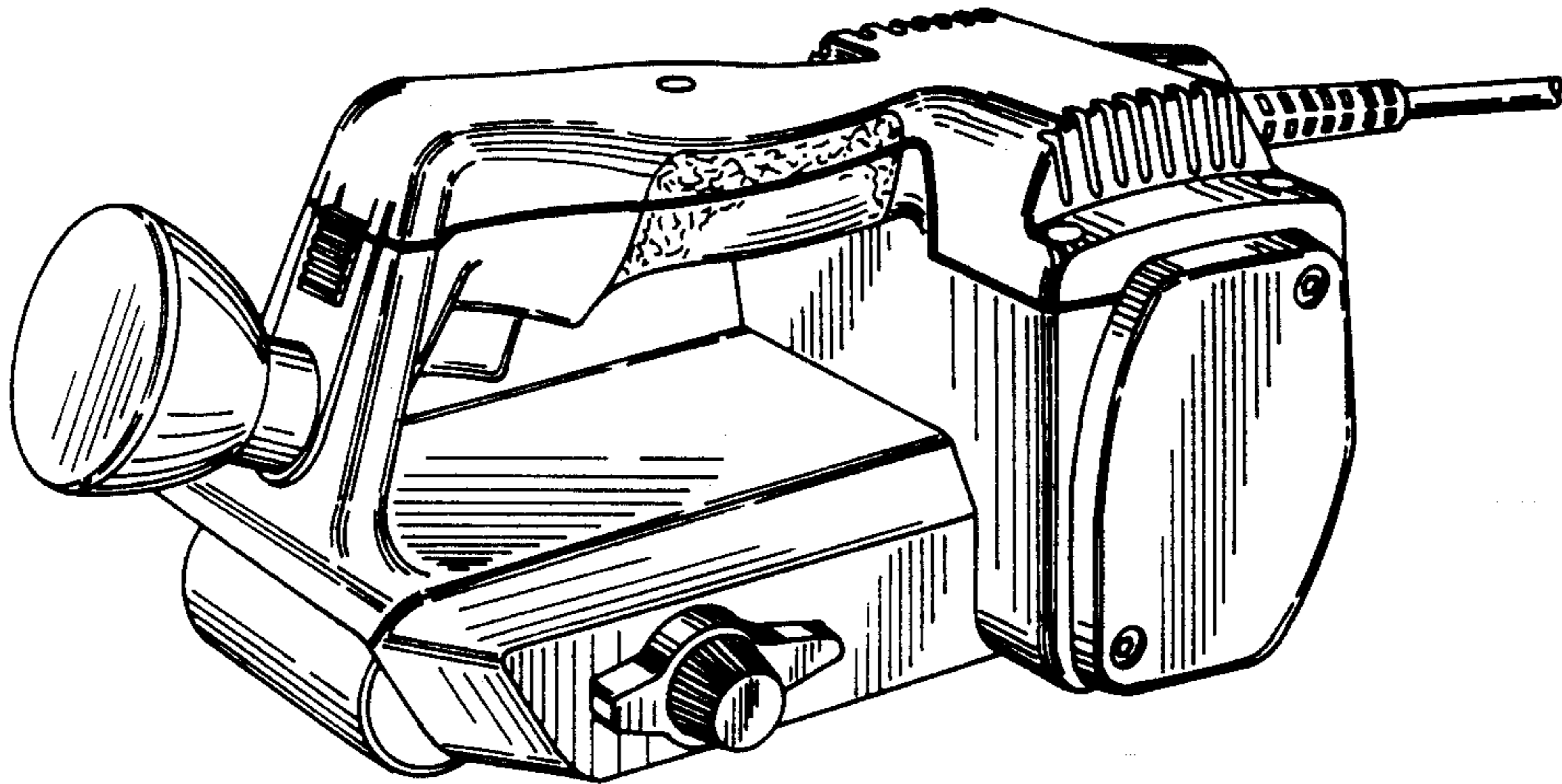


FIG. 6

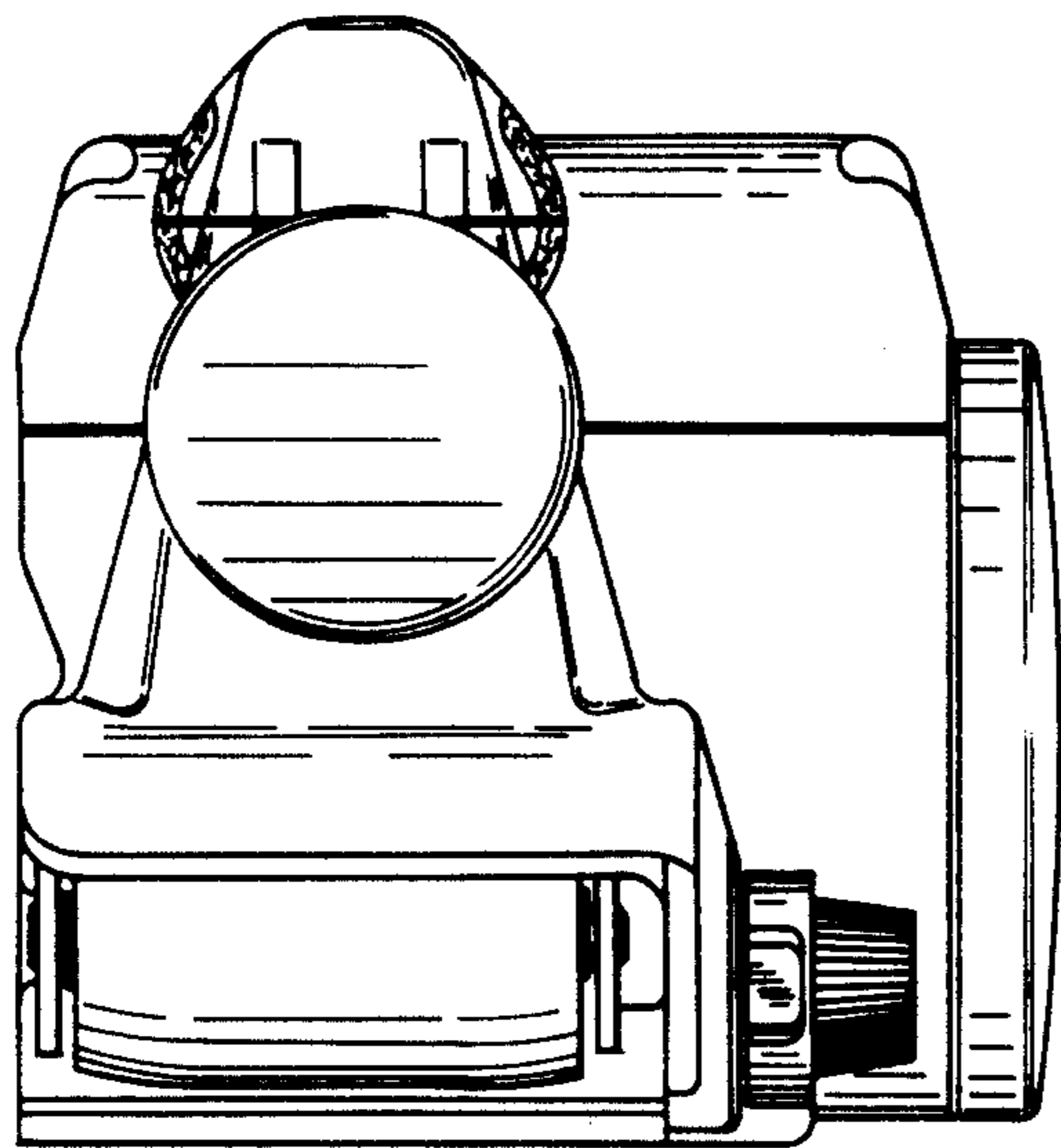
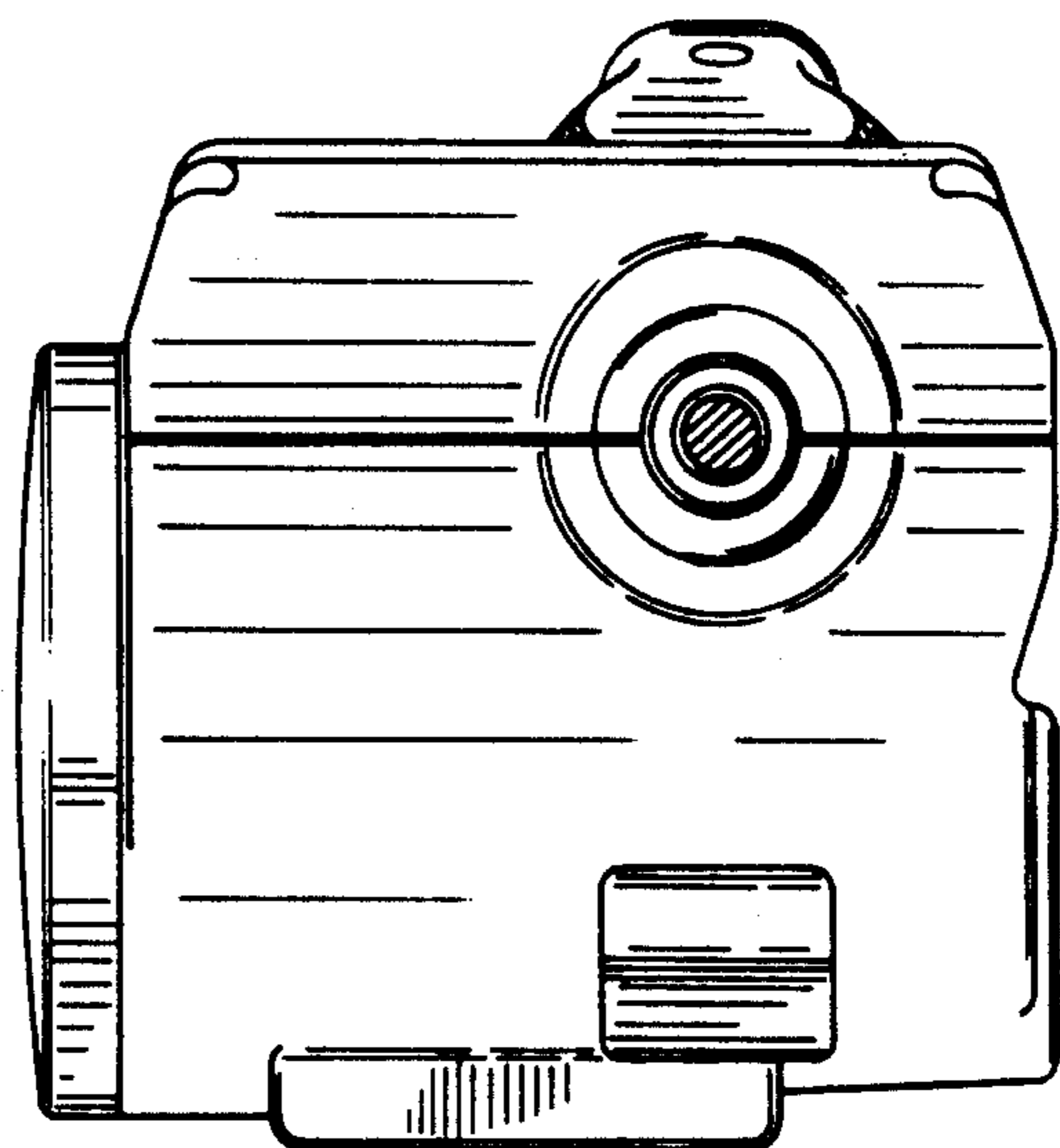


FIG. 7



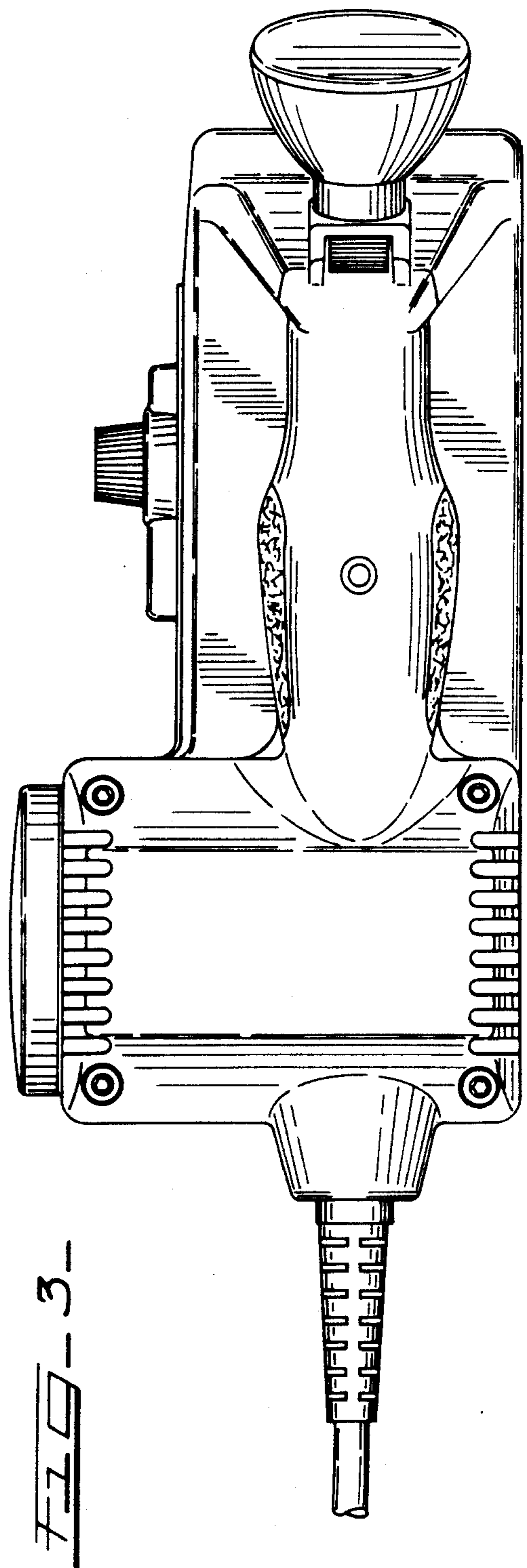
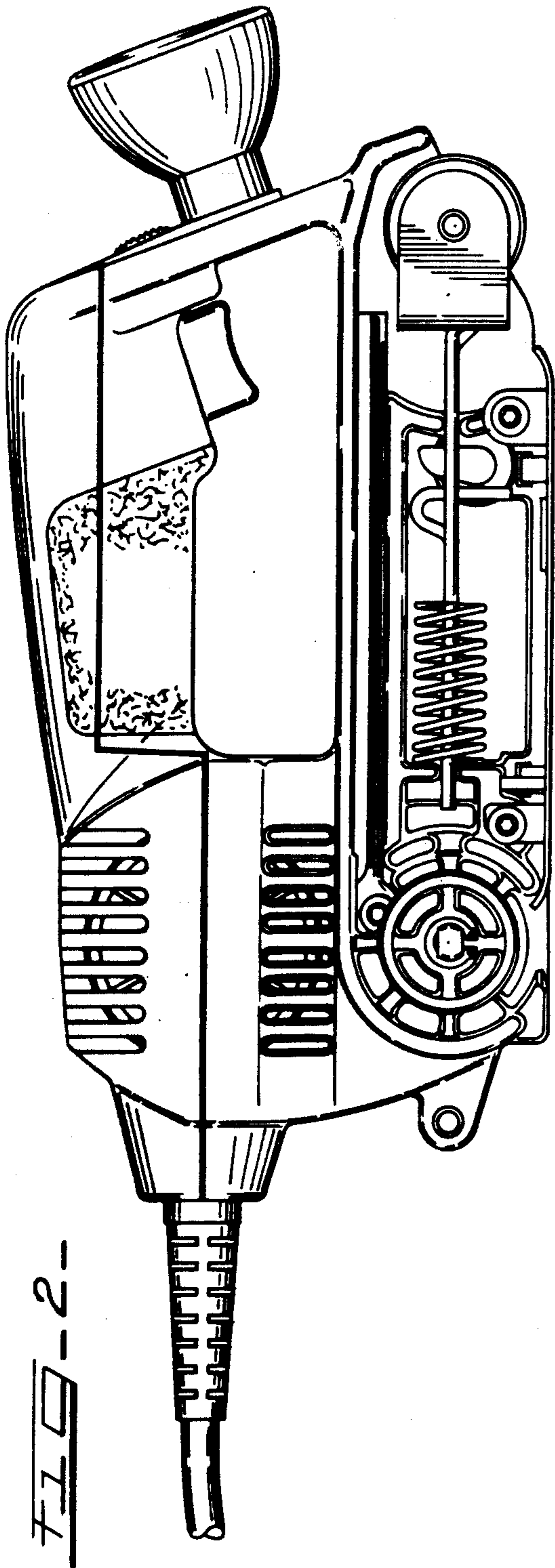


FIG-4-

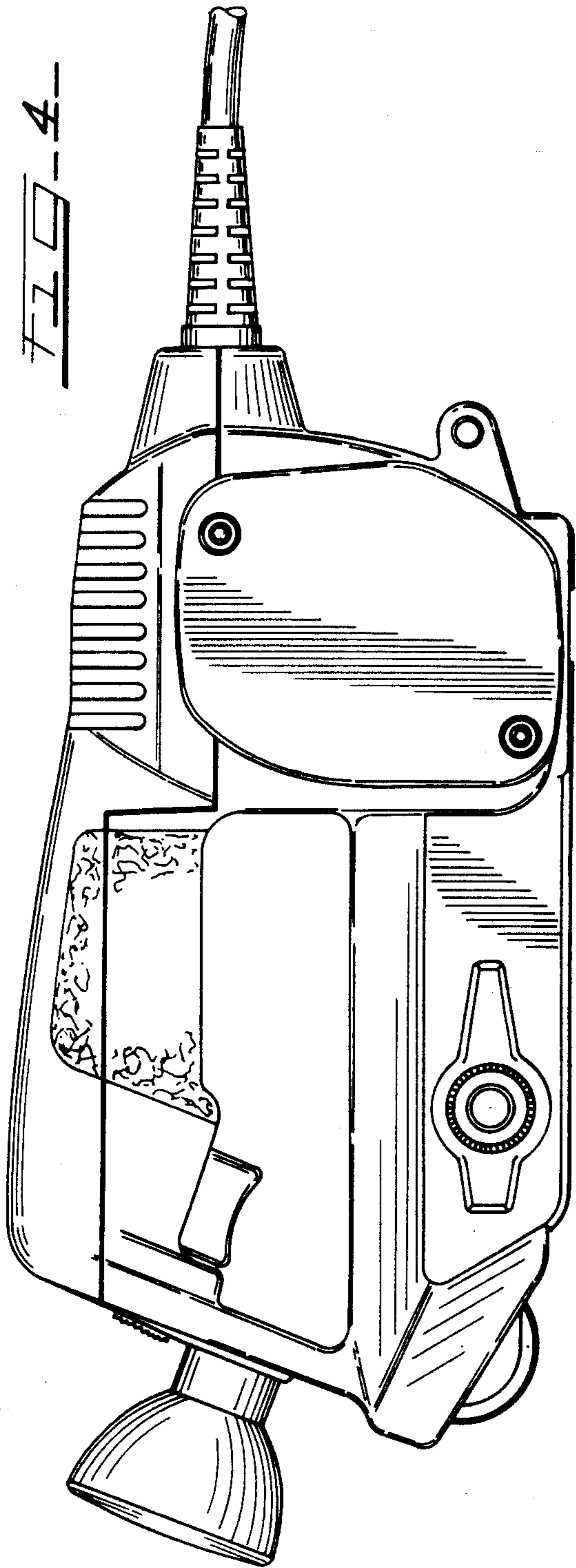


FIG-5-

