

[54] CLOTHESDRIER

[56] References Cited

[76] Inventor: Taro Koshiyama, 46, 2-chome, Minamikinomoto, Yao-shi, Osaka-fu, Japan

U.S. PATENT DOCUMENTS
1,948,014 2/1934 Tuttle 211/115

FOREIGN PATENT DOCUMENTS

480615 2/1938 United Kingdom 211/113

[**] Term: 14 Years

Primary Examiner—Catherine E. Kemper
Attorney, Agent, or Firm—George B. Oujevolk

[21] Appl. No.: 822,837

[57] CLAIM

The ornamental design for a clothesdrier, as shown and described.

[22] Filed: Aug. 8, 1977

DESCRIPTION

[51] Int. Cl. D7—05
[52] U.S. Cl. D7/196
[58] Field of Search D6/113, 116, 117, 118, D6/119; D7/196, 197; 211/13, 86, 113, 115, 116, 118, 163, 164, 165, 166, 167, 195, 196, 203, 205

FIG. 1 is a front elevational view of a clothesdrier showing my new design;
FIG. 2 is a rear elevational view thereof;
FIG. 3 is a side elevational view, the opposite side being a mirror image thereof;
FIG. 4 is a top perspective view thereof;
FIG. 5 is a bottom perspective view thereof.

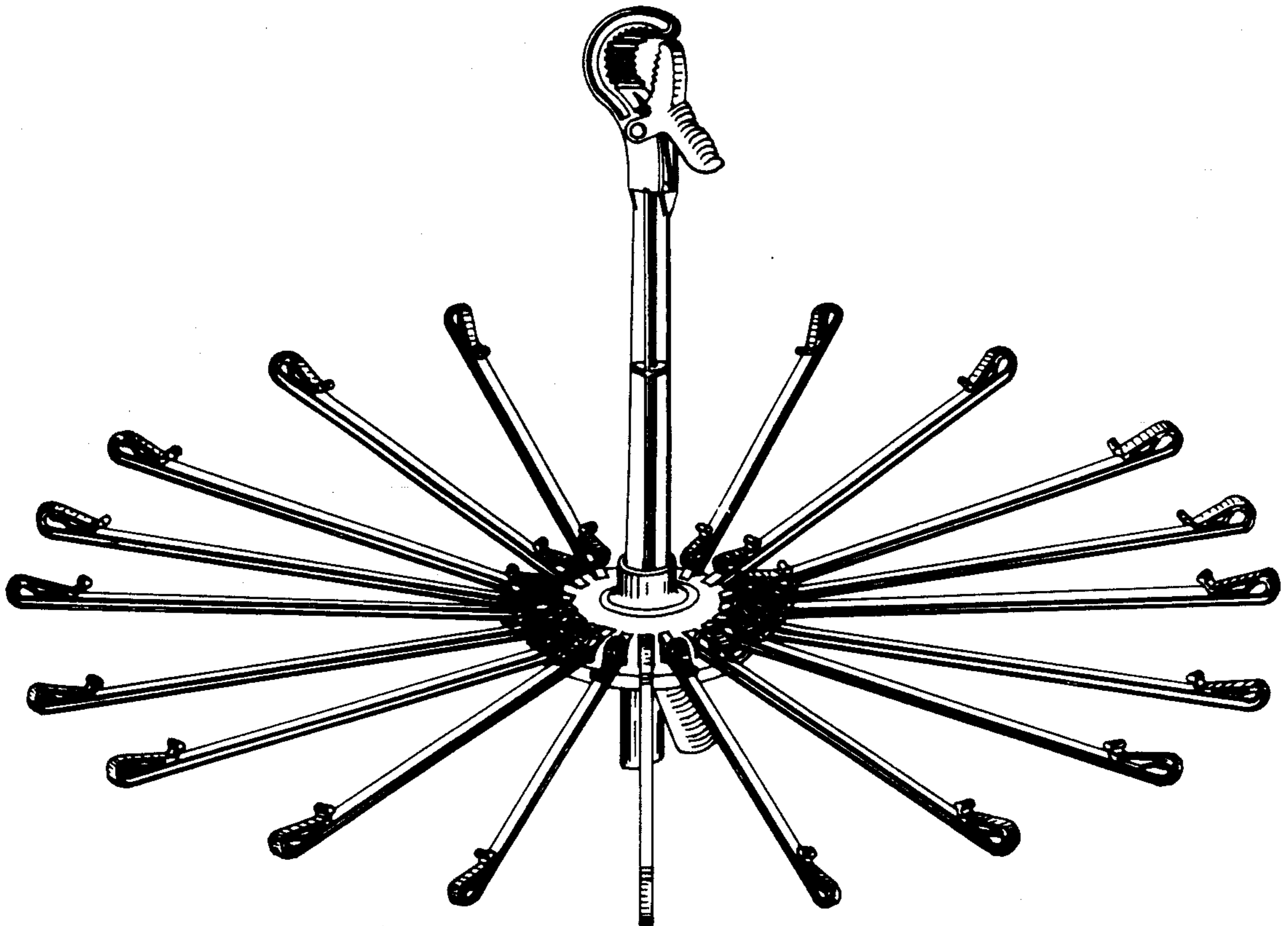


FIG. 1

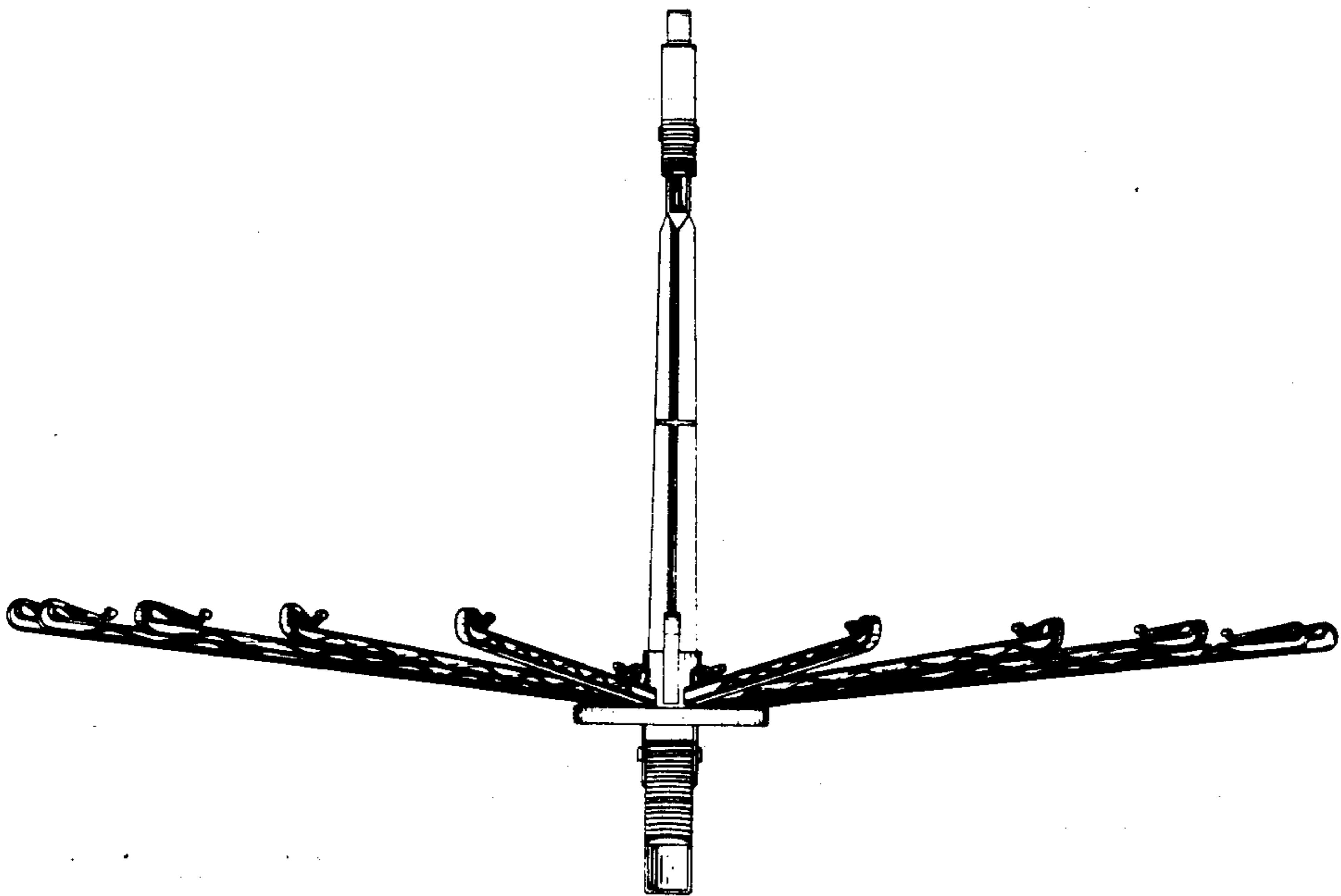


FIG.2

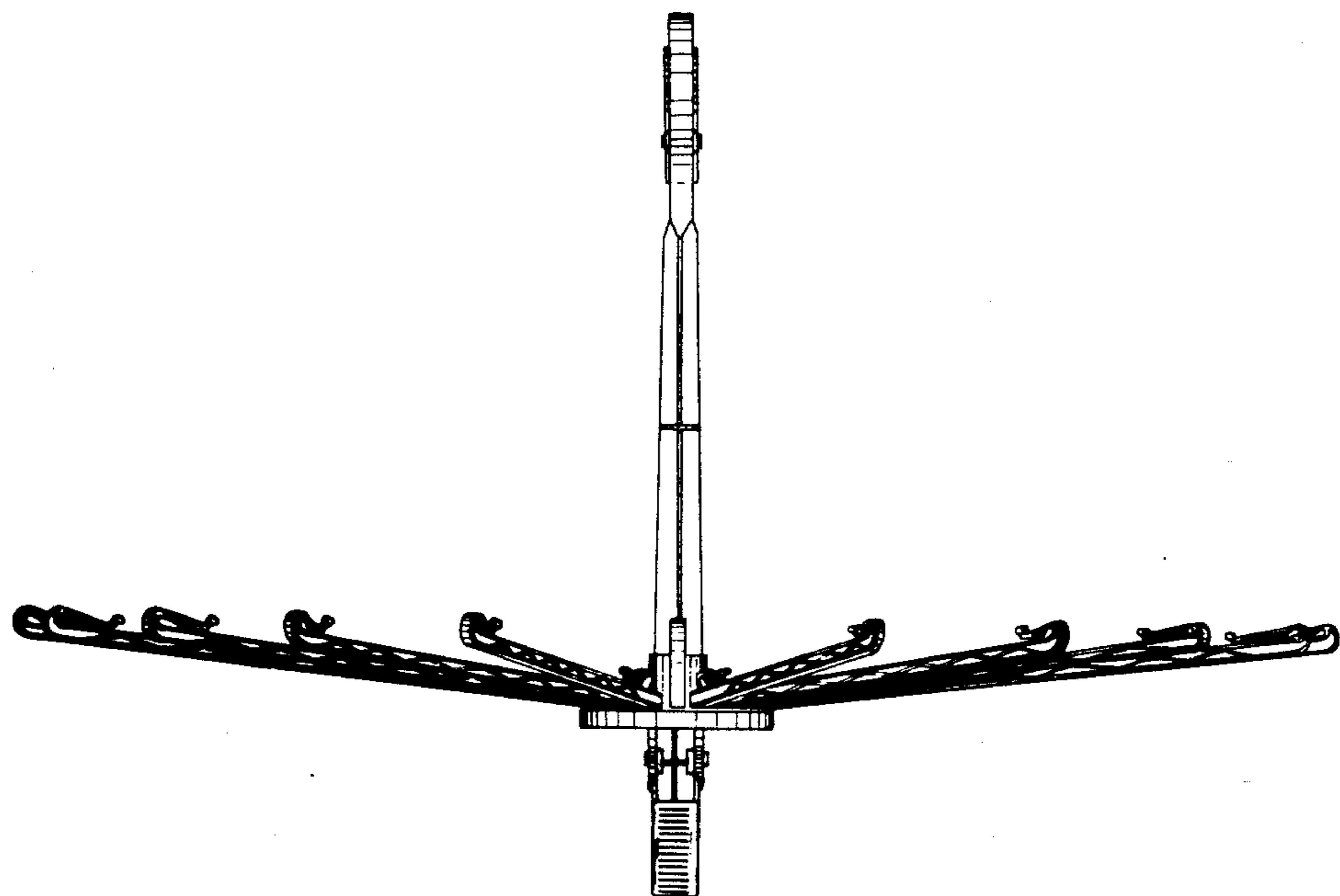


FIG.3

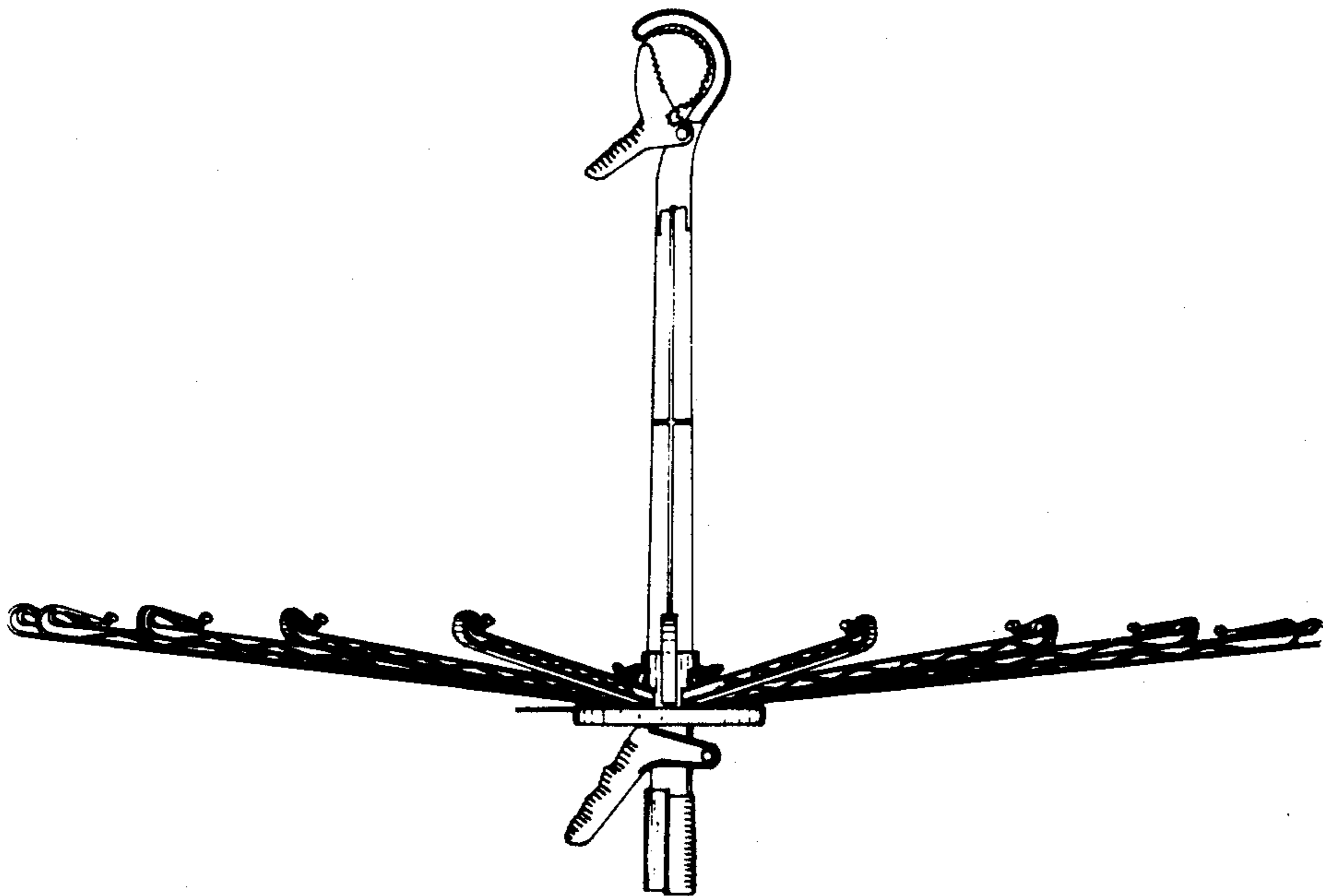


FIG.4

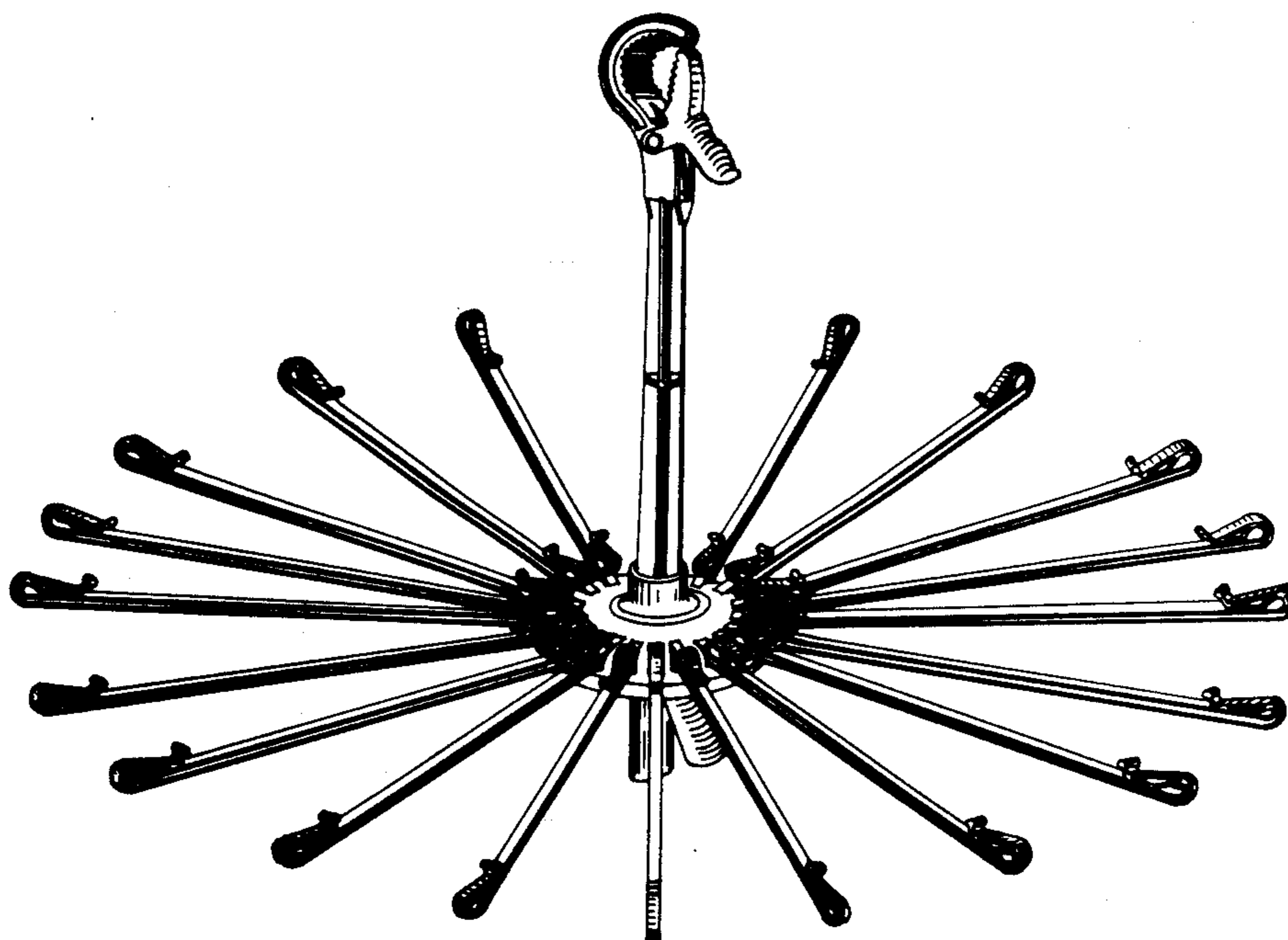


FIG.5

