

[54] **GAS BURNER**

[75] Inventor: **George L. Huff, Greenville, Tenn.**

[73] Assignee: **Metals Engineering Corporation, Greenville, Tenn.**

[**] Term: **14 Years**

[21] Appl. No.: **837,593**

[22] Filed: **Sep. 28, 1977**

[51] Int. Cl. **D7-04**

[52] U.S. Cl. **D7/136**

[58] Field of Search **D7/136; D23/129, 130; 126/38, 39 R, 39 E, 39 H, 39 N, 39 K, 41; 239/565, 566, 568, 597**

2,493,889 1/1950 Matthews et al. 126/39 E X

3,498,284 3/1970 Swadley 126/41

3,626,923 12/1971 Martin 126/39 R X

3,664,591 5/1972 Stohrer, Jr. et al. 126/39 R X

3,967,613 7/1976 Rybal et al. 126/41 R

Primary Examiner—Catherine E. Kemper
Attorney, Agent, or Firm—Luedeka & Hodges

[57] **CLAIM**

The ornamental design for a gas burner, as shown and described.

DESCRIPTION

FIG. 1 is a top perspective view of a gas burner showing my new design;

FIG. 2 is a top plan view thereof;

FIG. 3 is a front elevational view, the rear being a mirror image thereof;

FIG. 4 is a bottom plan view thereof;

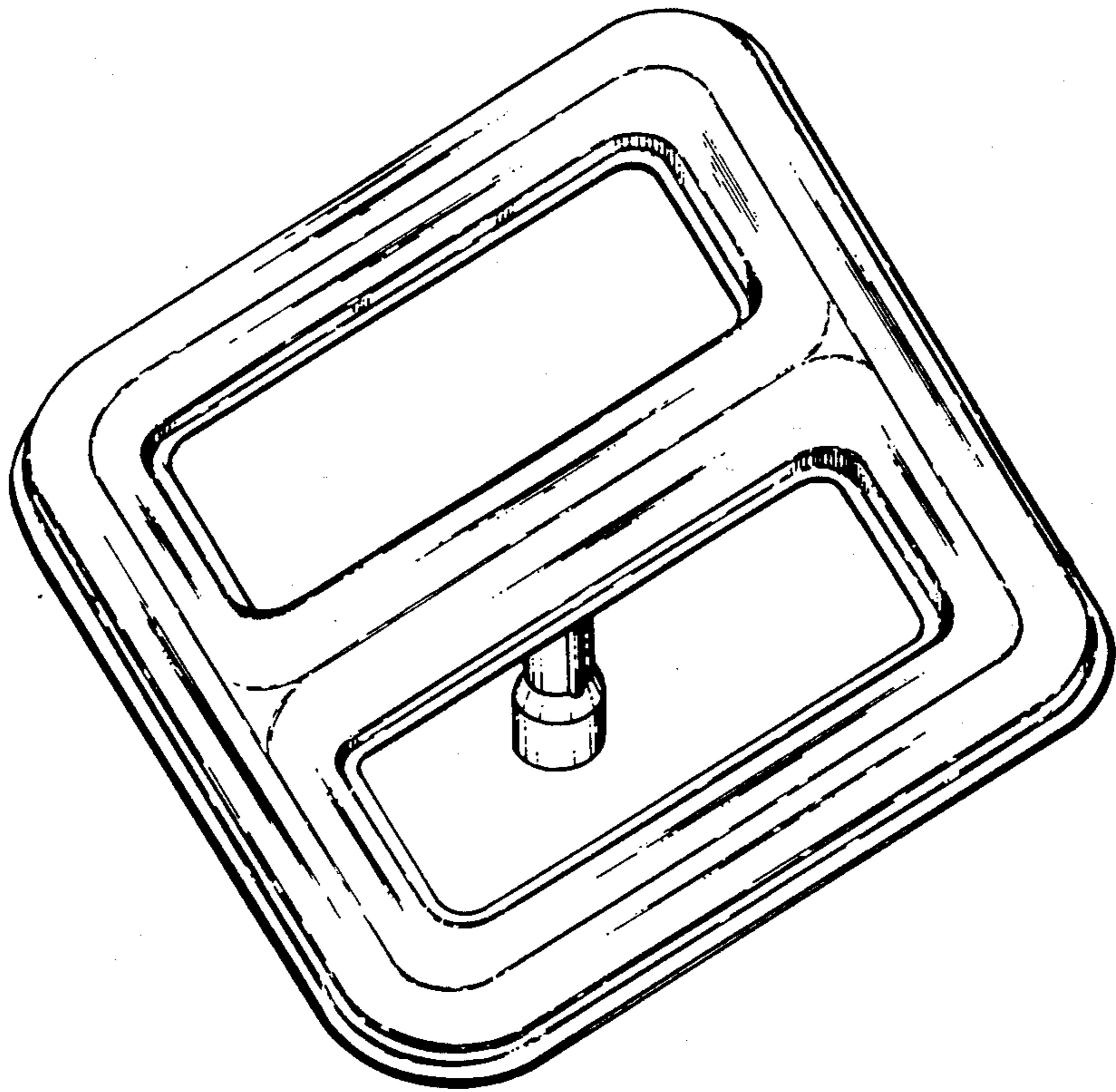
FIG. 5 is a right side elevational view, the left side being a mirror image thereof.

[56] **References Cited**

U.S. PATENT DOCUMENTS

D. 193,046 6/1962 Sabo D23/129

1,515,067 11/1924 Olsen, Jr. 126/39 N



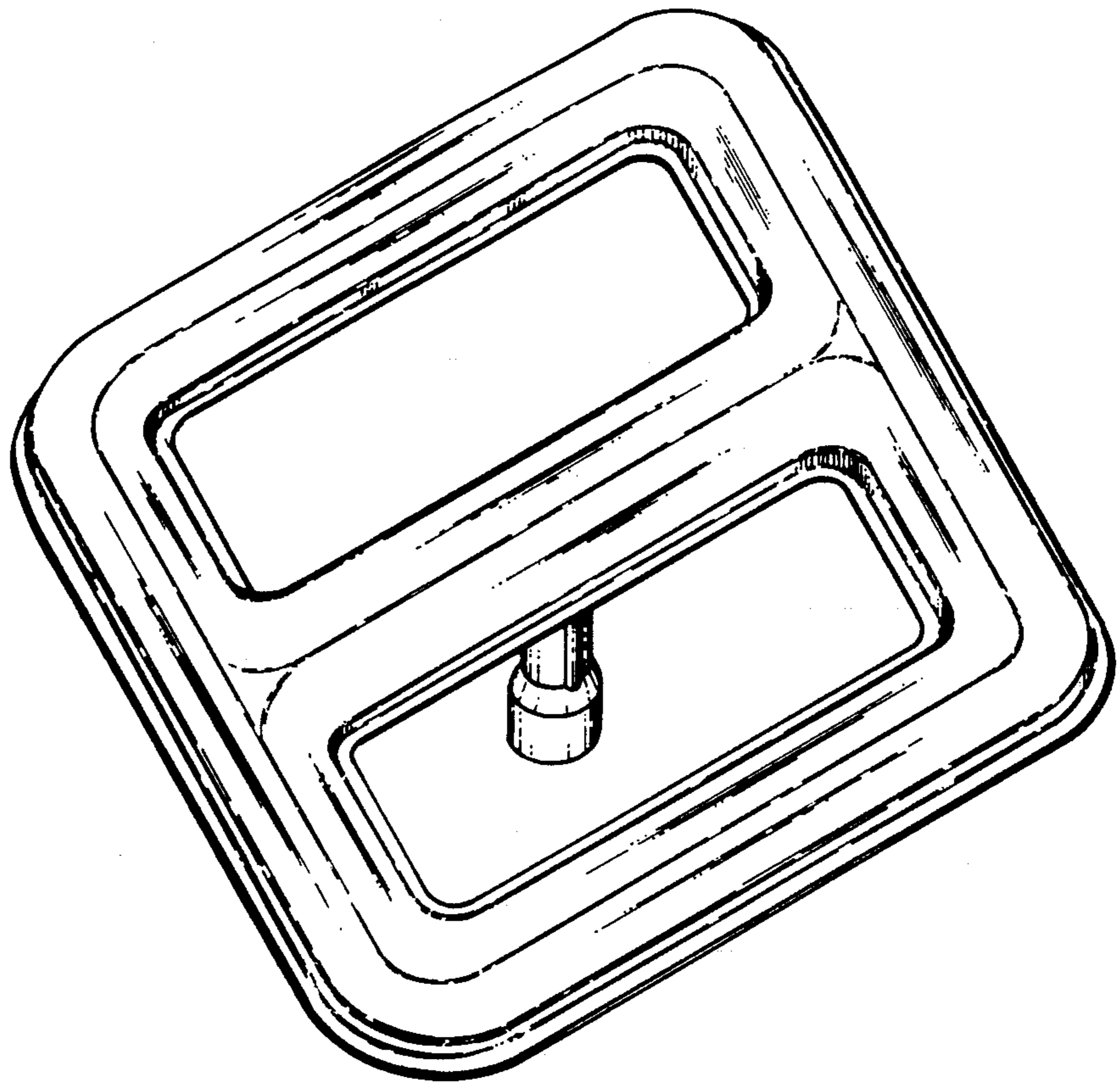


Fig. 1

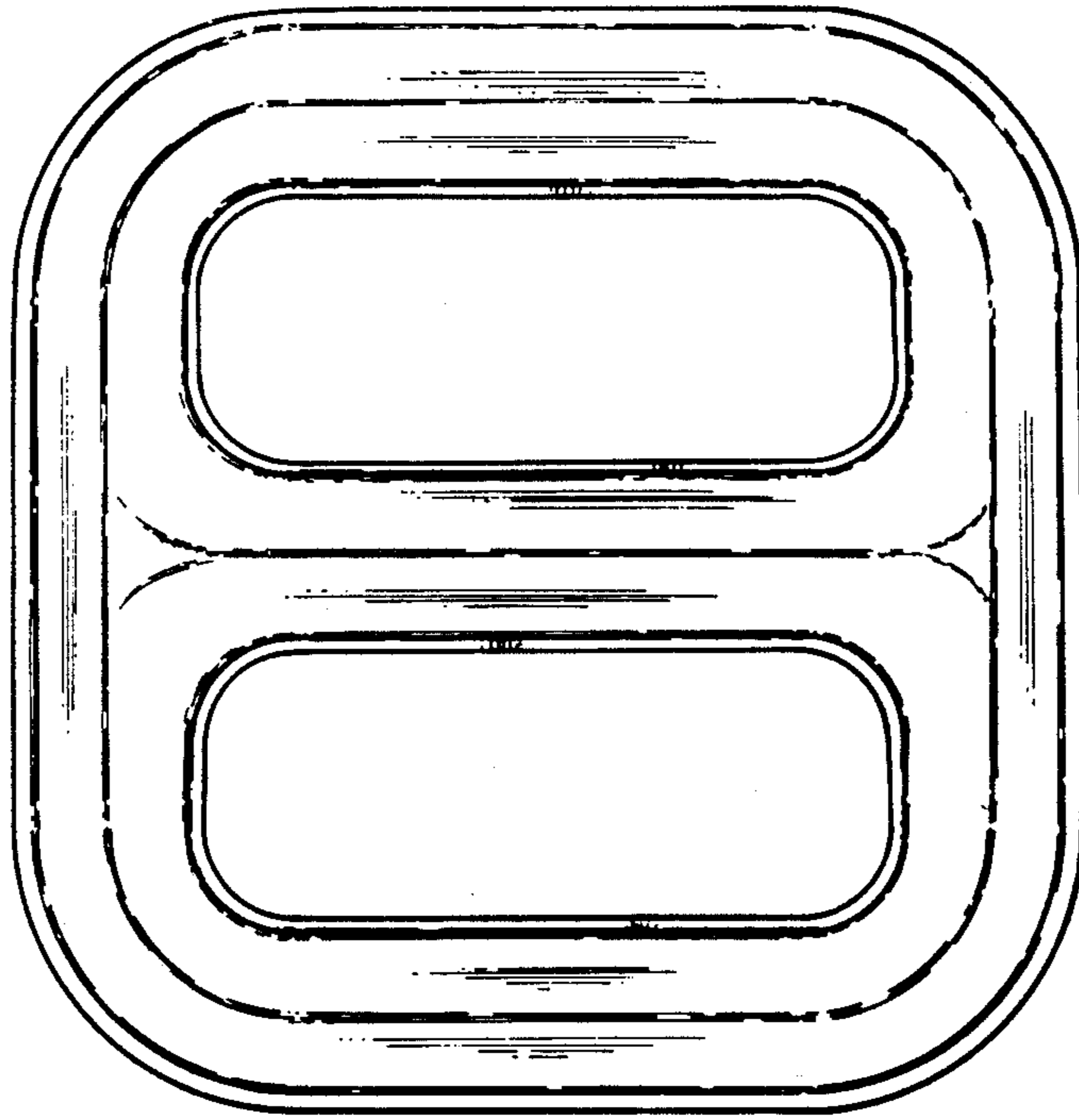


Fig. 2

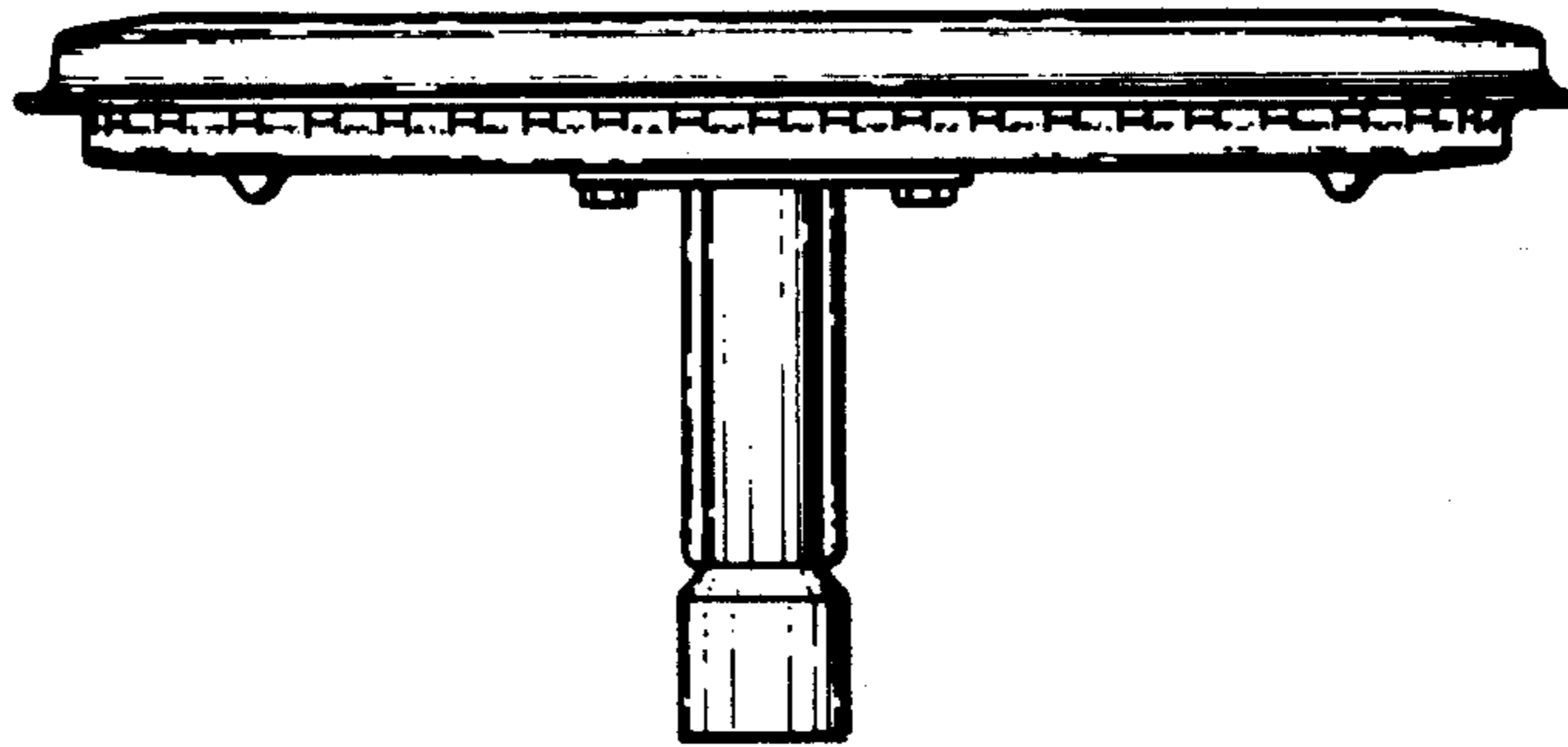


Fig. 3

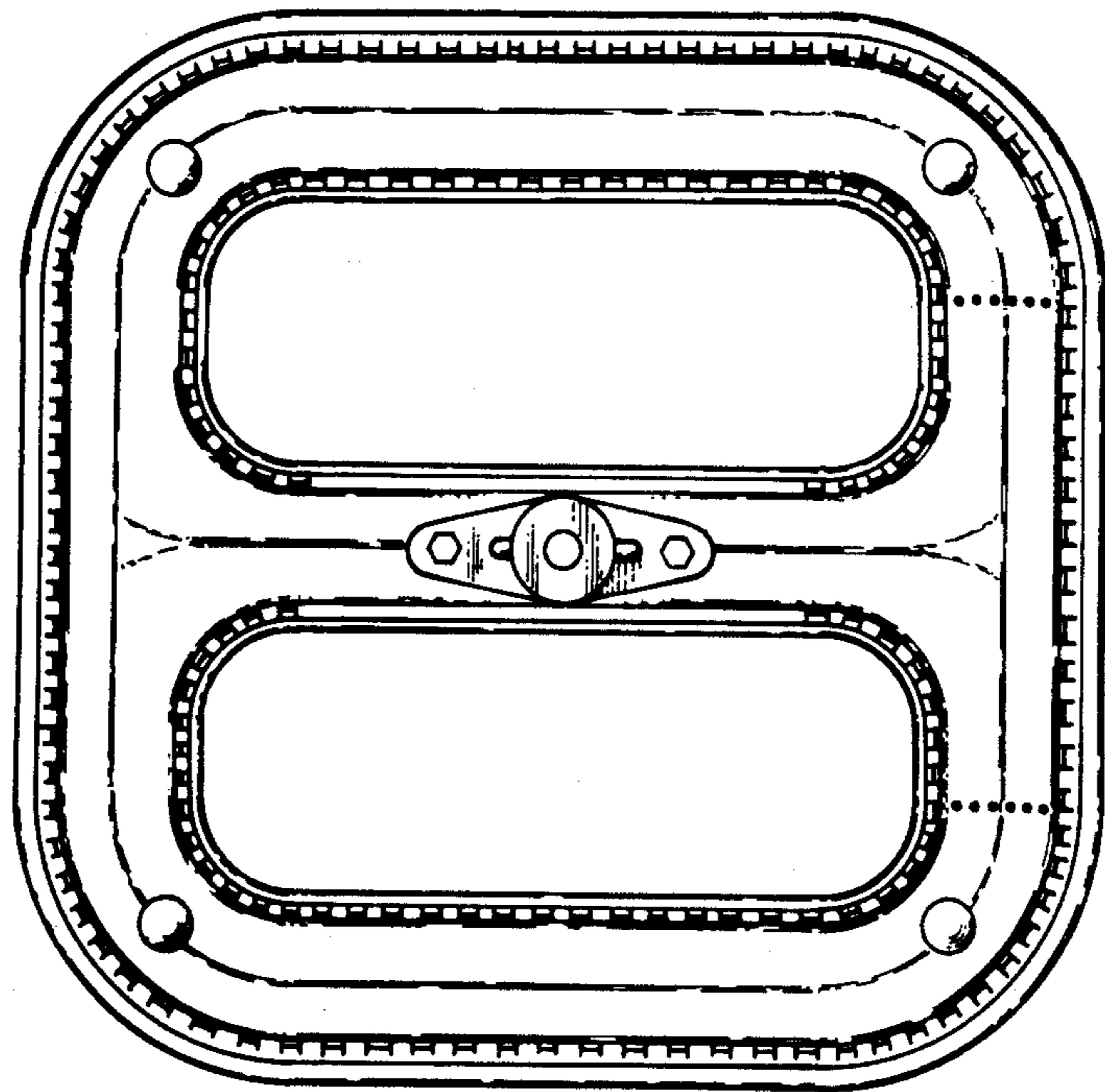


Fig. 4

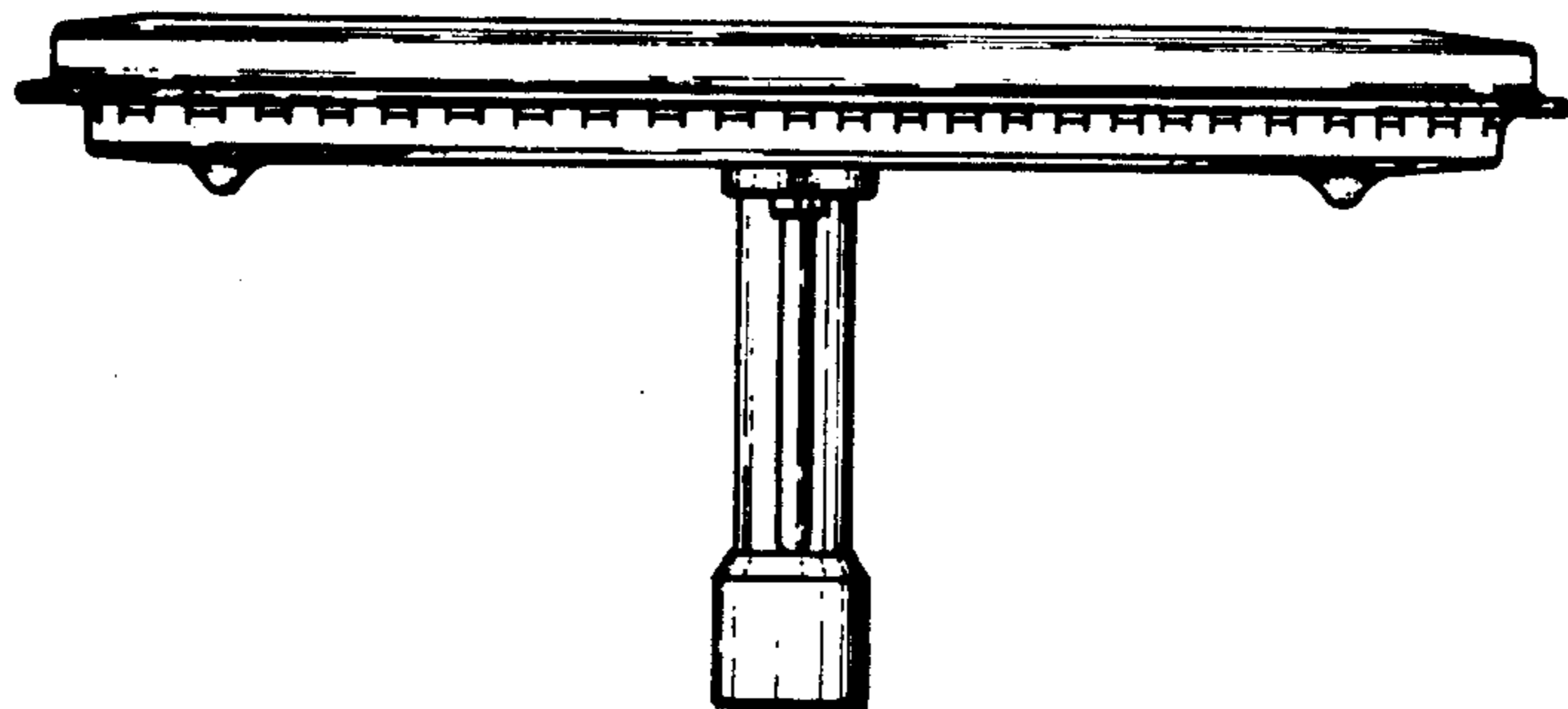


Fig. 5