

[54] COFFEE FILTER

[75] Inventor: Marten F. Elkerbout, Peize, Netherlands

[73] Assignee: U.S. Philips Corporation, New York, N.Y.

[**] Term: 14 Years

[21] Appl. No.: 881,878

[22] Filed: Feb. 27, 1978

[30] Foreign Application Priority Data

Aug. 30, 1977 [XB] Benelux 52101-00

[51] Int. Cl. D7-04

[52] U.S. Cl. D7/129; D7/47; D15/119

[58] Field of Search D7/129, 85, 47, 68, D7/62, 59; D15/113, 119

[56] References Cited

U.S. PATENT DOCUMENTS

D. 226,531	3/1973	Beckman	D7/59
D. 229,158	11/1973	Marotta	D15/113 X
D. 231,307	4/1974	Wolfman	D7/59 X
D. 234,285	2/1975	Wickenberg	D7/85
D. 235,183	5/1975	Braun	D7/47

Primary Examiner—Winifred E. Herrmann
Attorney, Agent, or Firm—Thomas A. Briody; William J. Streeter; Rolf E. Schneider

[57] CLAIM

The ornamental design for a coffee filter, as shown.

DESCRIPTION

FIG. 1 is a perspective view of a coffee filter showing my new design;

FIG. 2 is a right side elevational view thereof;

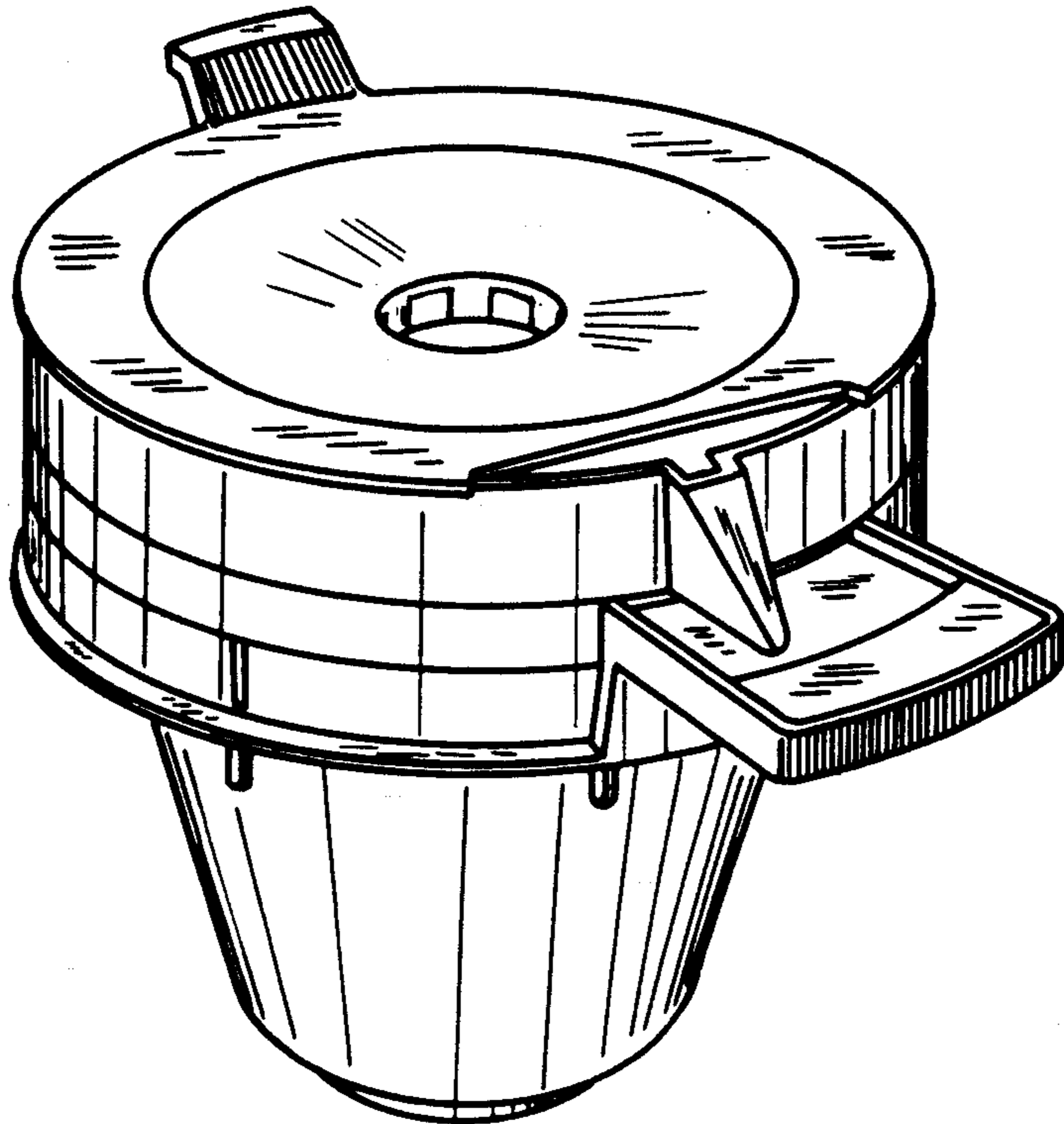
FIG. 3 is a left side elevational view thereof;

FIG. 4 is a front elevational view thereof;

FIG. 5 is a rear elevational view thereof;

FIG. 6 is a top plan view thereof; and

FIG. 7 is a bottom plan view thereof.



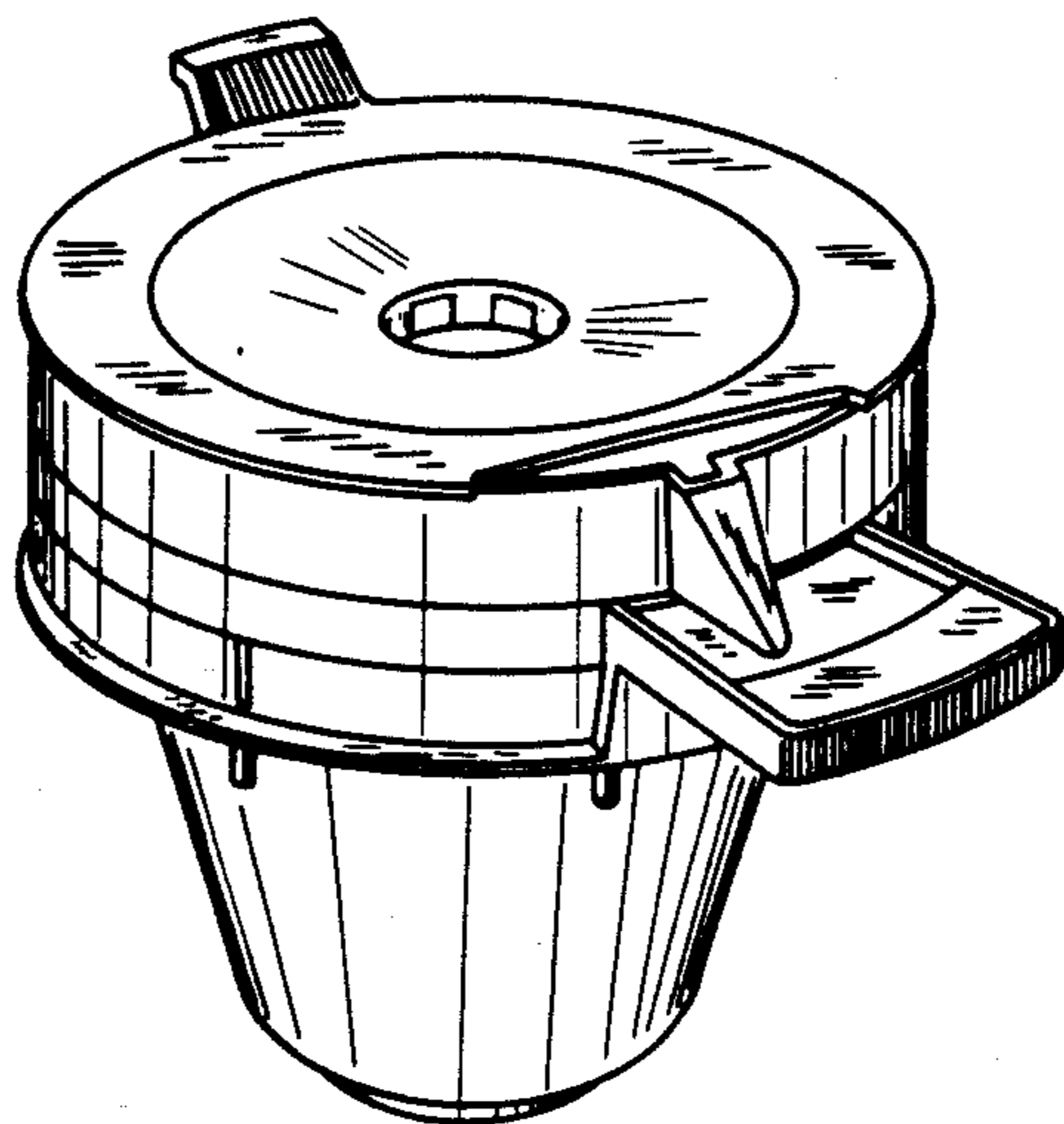


Fig. 1

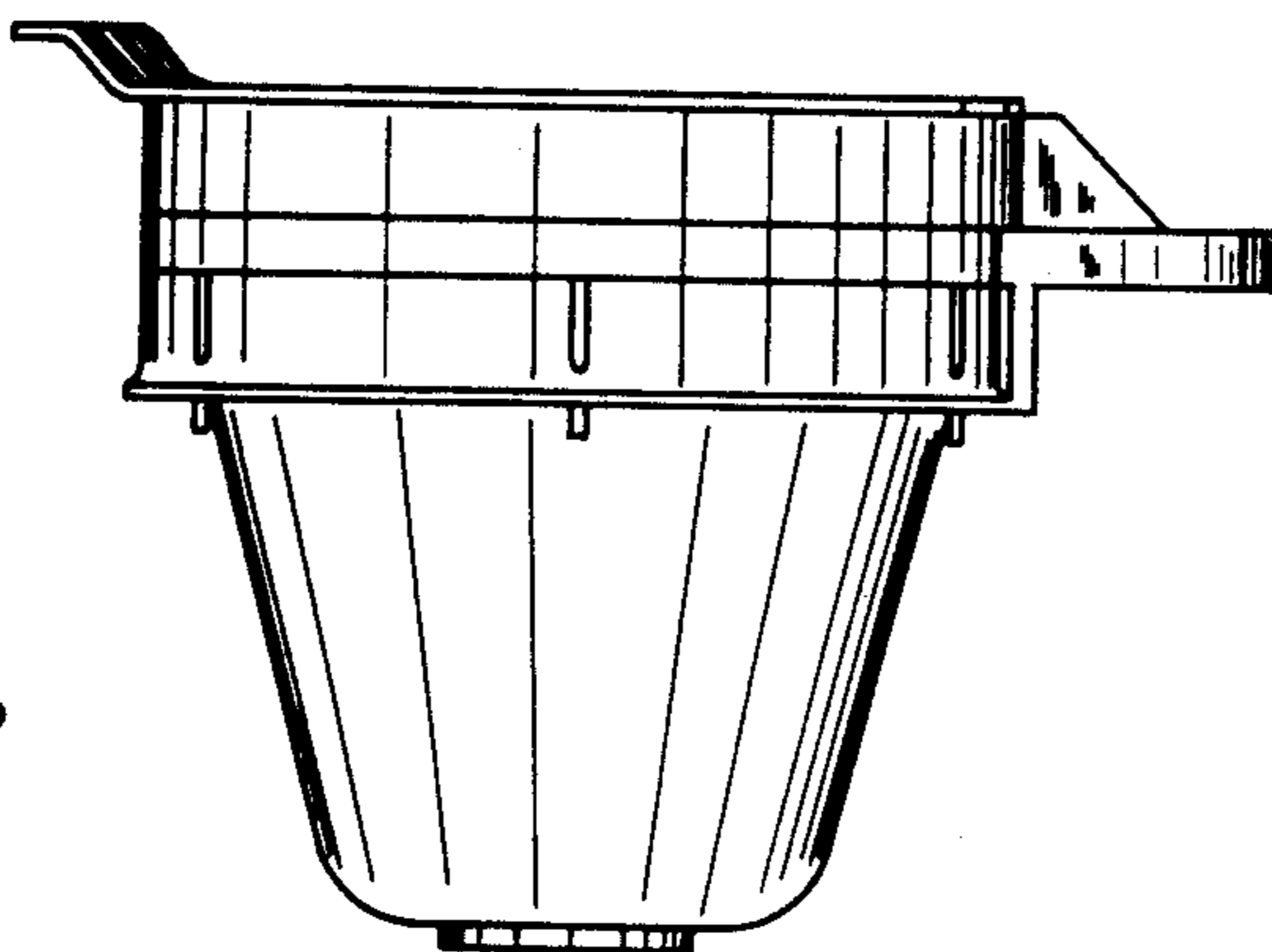


Fig. 2

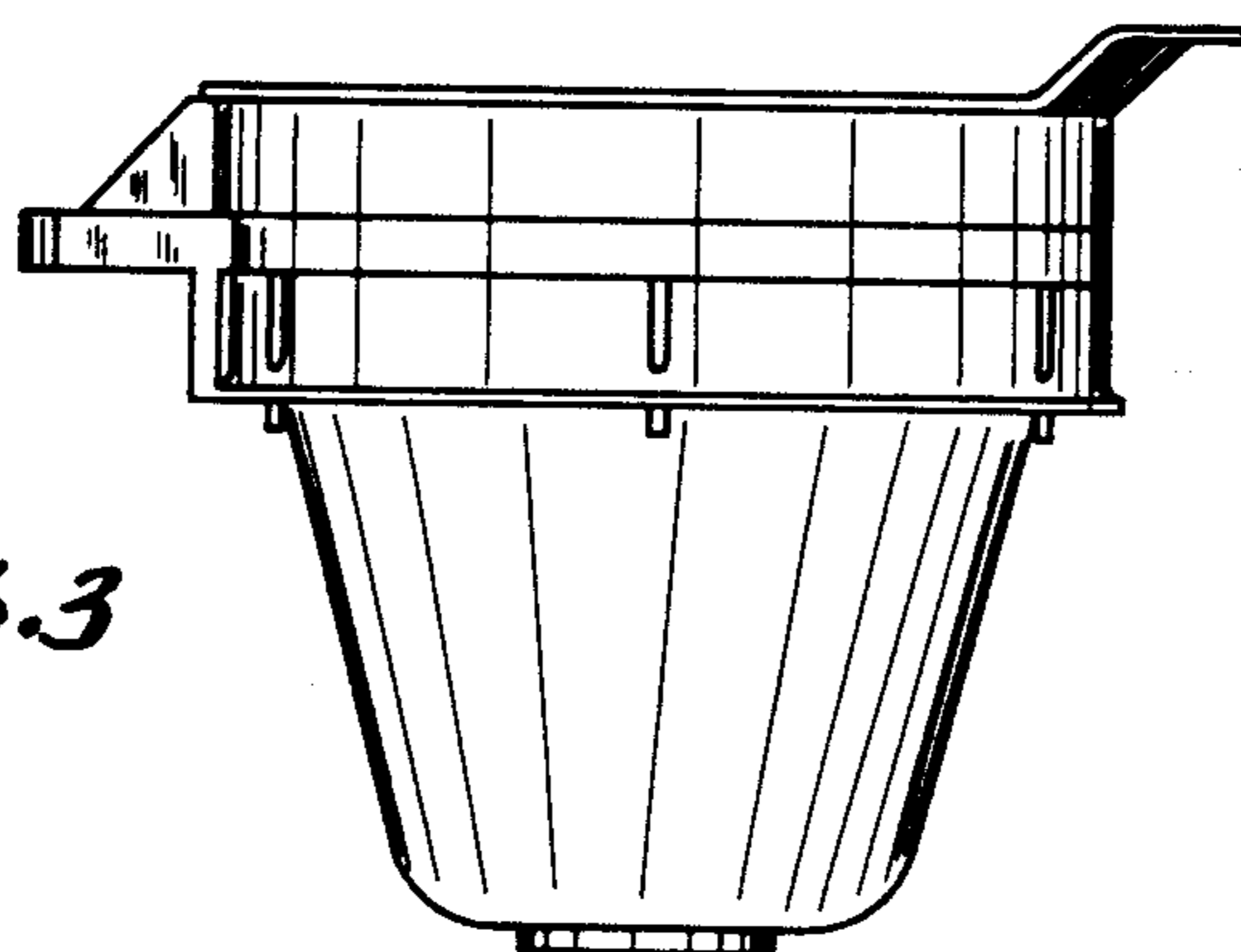


Fig. 3

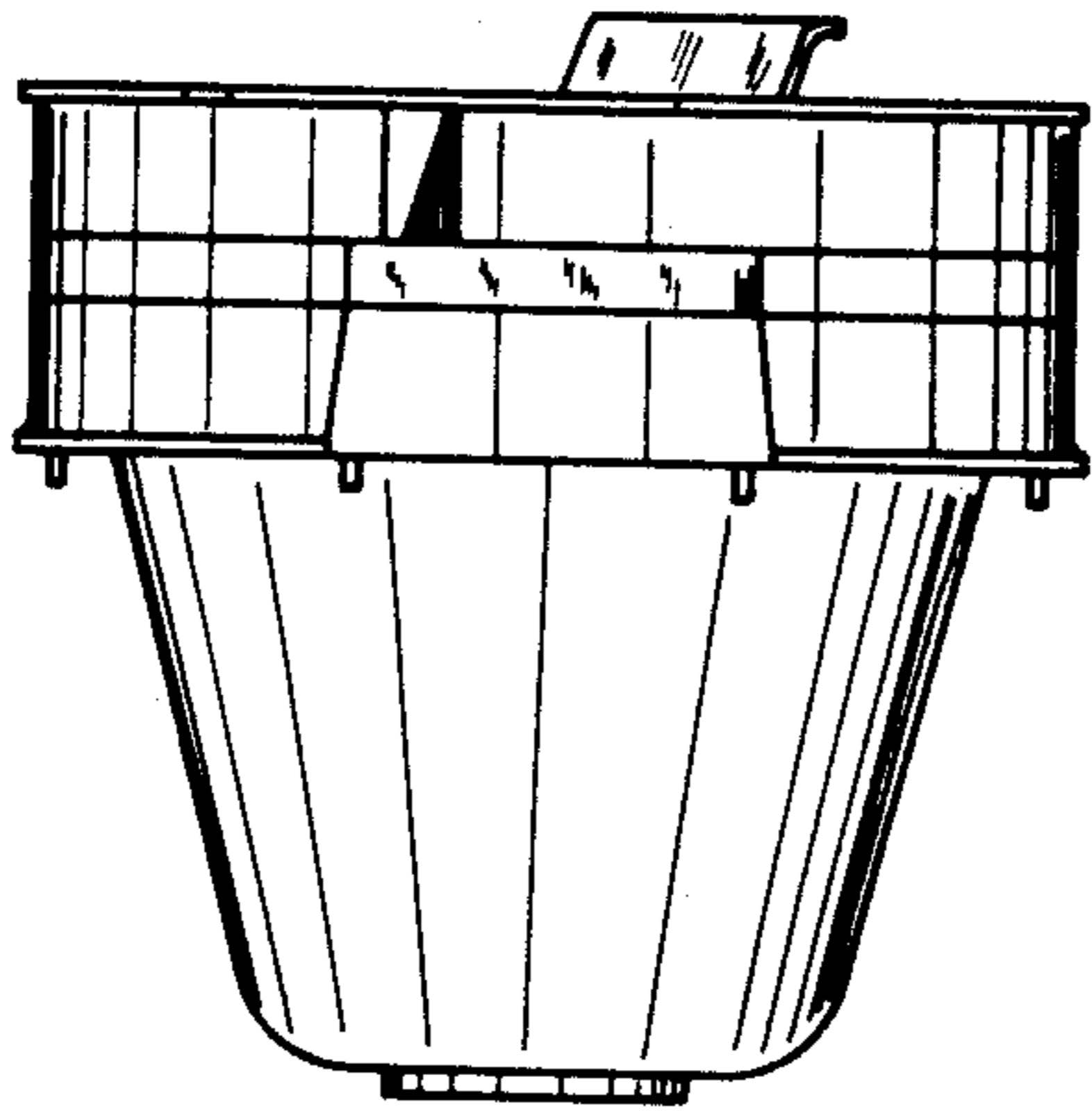


Fig. 4

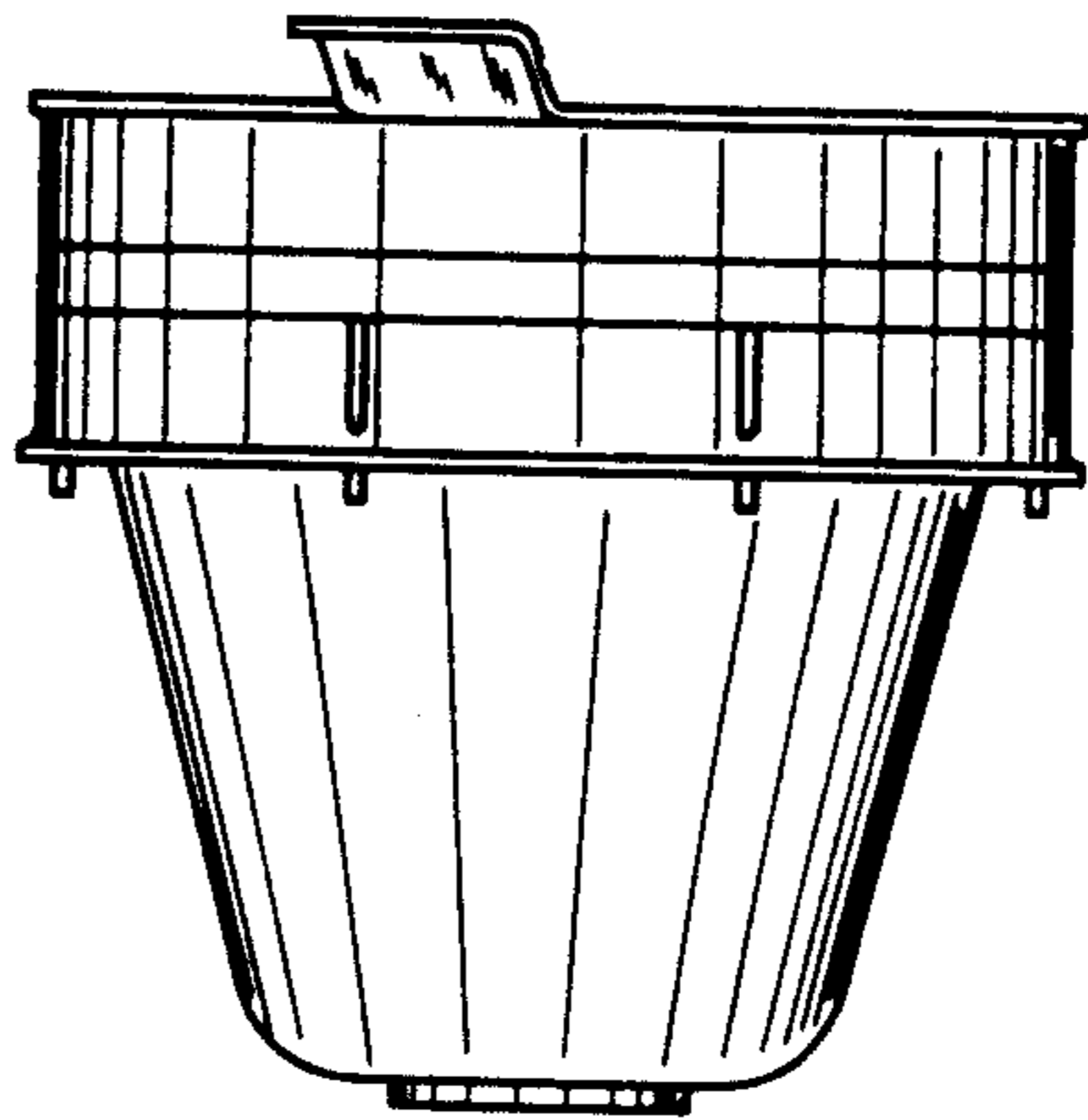


Fig. 5

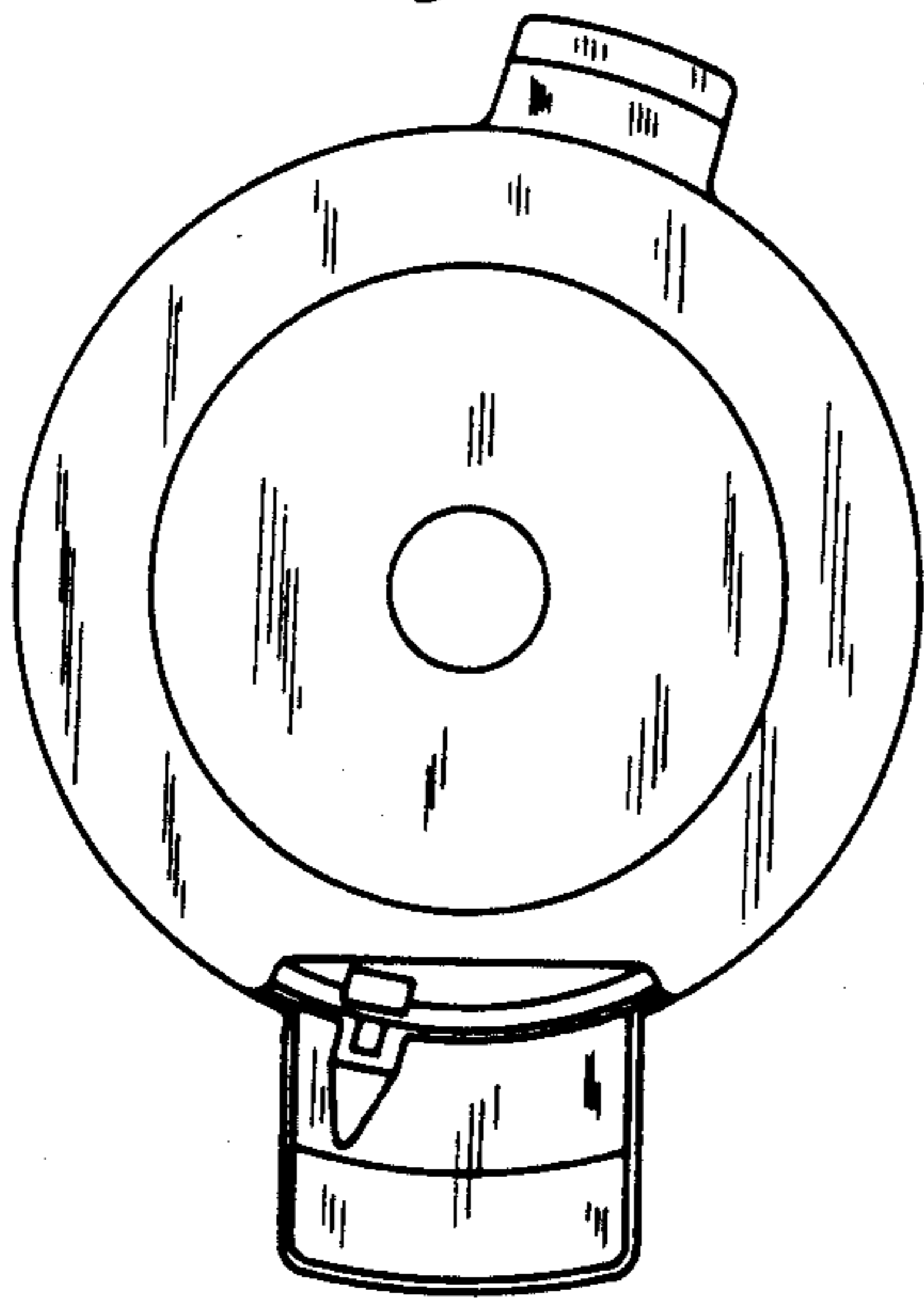


Fig. 6

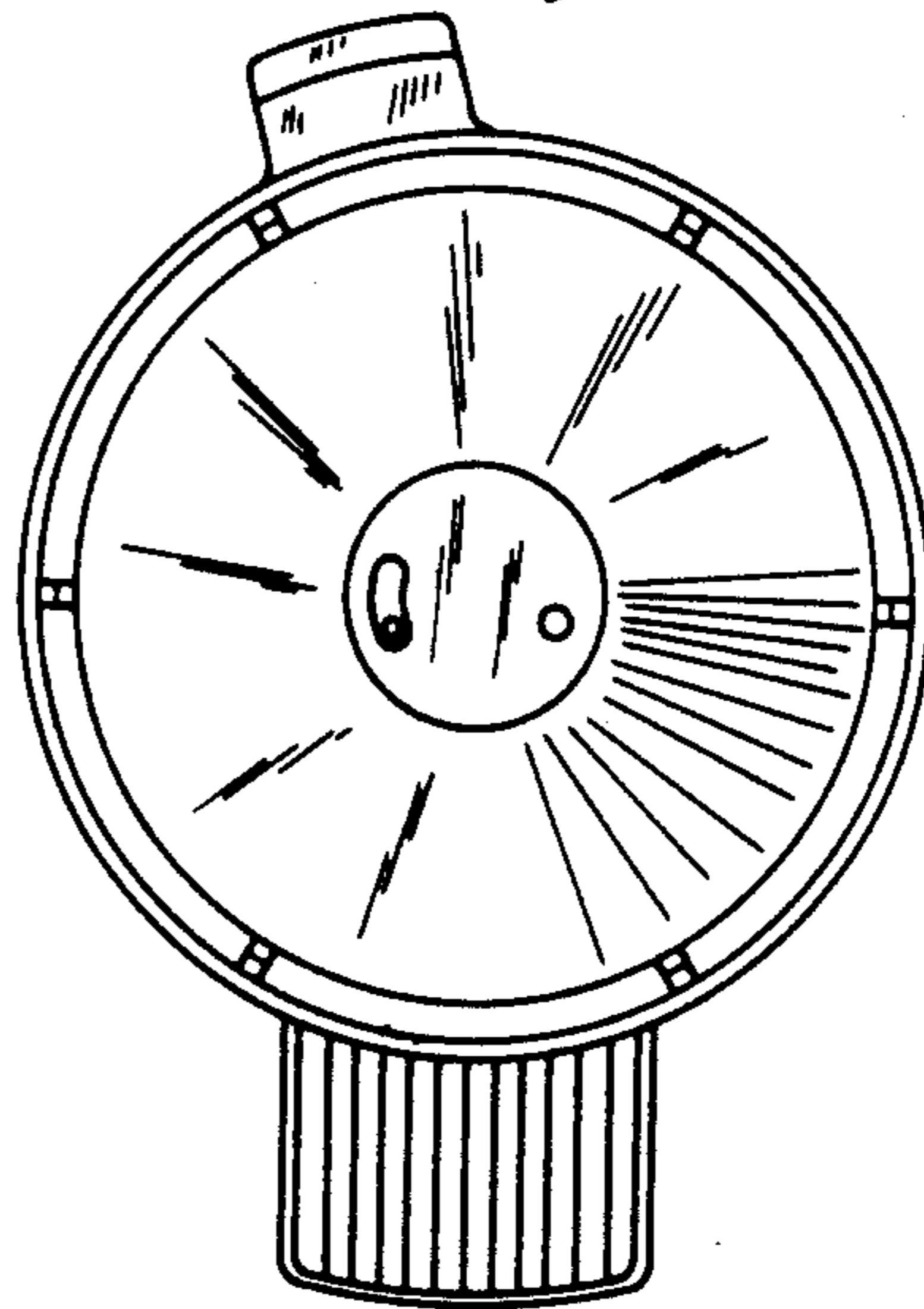


Fig. 7