

[54] TRANSPORTABLE FOOD CONTAINER

[75] Inventor: Tim M. Uyeda, S. San Gabriel, Calif.

[73] Assignee: Bloomfield Industries, Chicago, Ill.

[**] Term: 14 Years

[21] Appl. No.: 881,166

[22] Filed: Feb. 27, 1978

[51] Int. Cl. D7-02

[52] U.S. Cl. D7/76; D7/77;
D7/82; 220/23.83; 220/334

[58] Field of Search D7/76, 77, 82; D3/30,
D3/51, 70, 77, 78, 79; D9/44, 171, 246;
D15/88; 220/DIG. 10, 334, 23.83; 206/541,
542, 545, 549; 190/12; D99/28

[56] References Cited
PUBLICATIONS

"Sentry", 1977, brochure re Sentry Safes.
Sweet's Catalog File, 1977, vol. 11, p. 11.25cm/3, item
18.

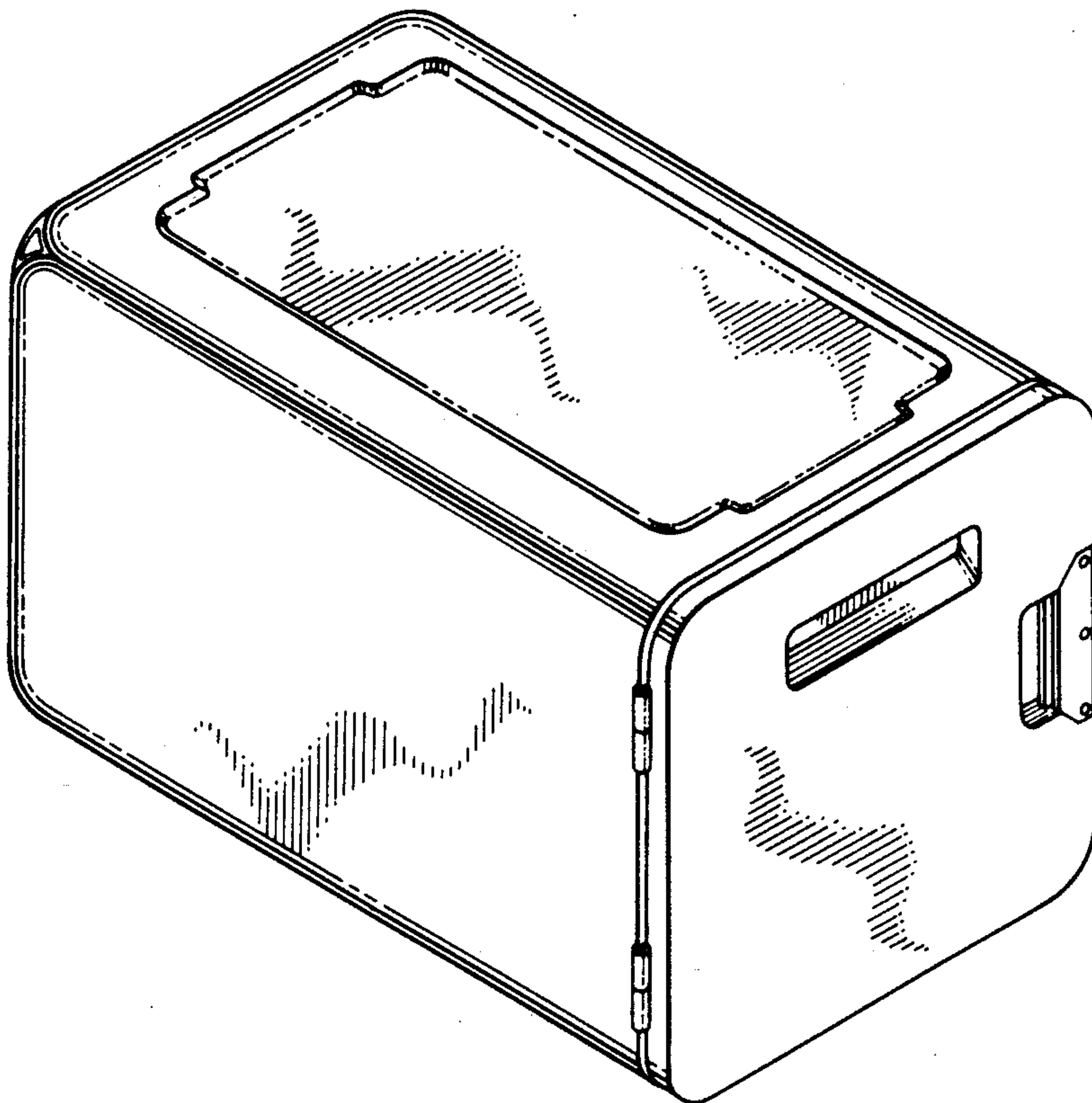
Primary Examiner—Donald B. Moyer
Attorney, Agent, or Firm—George J. Netter

[57] CLAIM

The ornamental design for a transportable food con-
tainer, as shown.

DESCRIPTION

FIG. 1 is a perspective view of a transportable food
container, showing my new design.
FIG. 2 is an end elevational view.
FIG. 3 is a side elevational view.
FIG. 4 is a top plan view.
FIG. 5 is a bottom plan view.
FIG. 6 is a further end elevational view of the side
opposite that of FIG. 2.



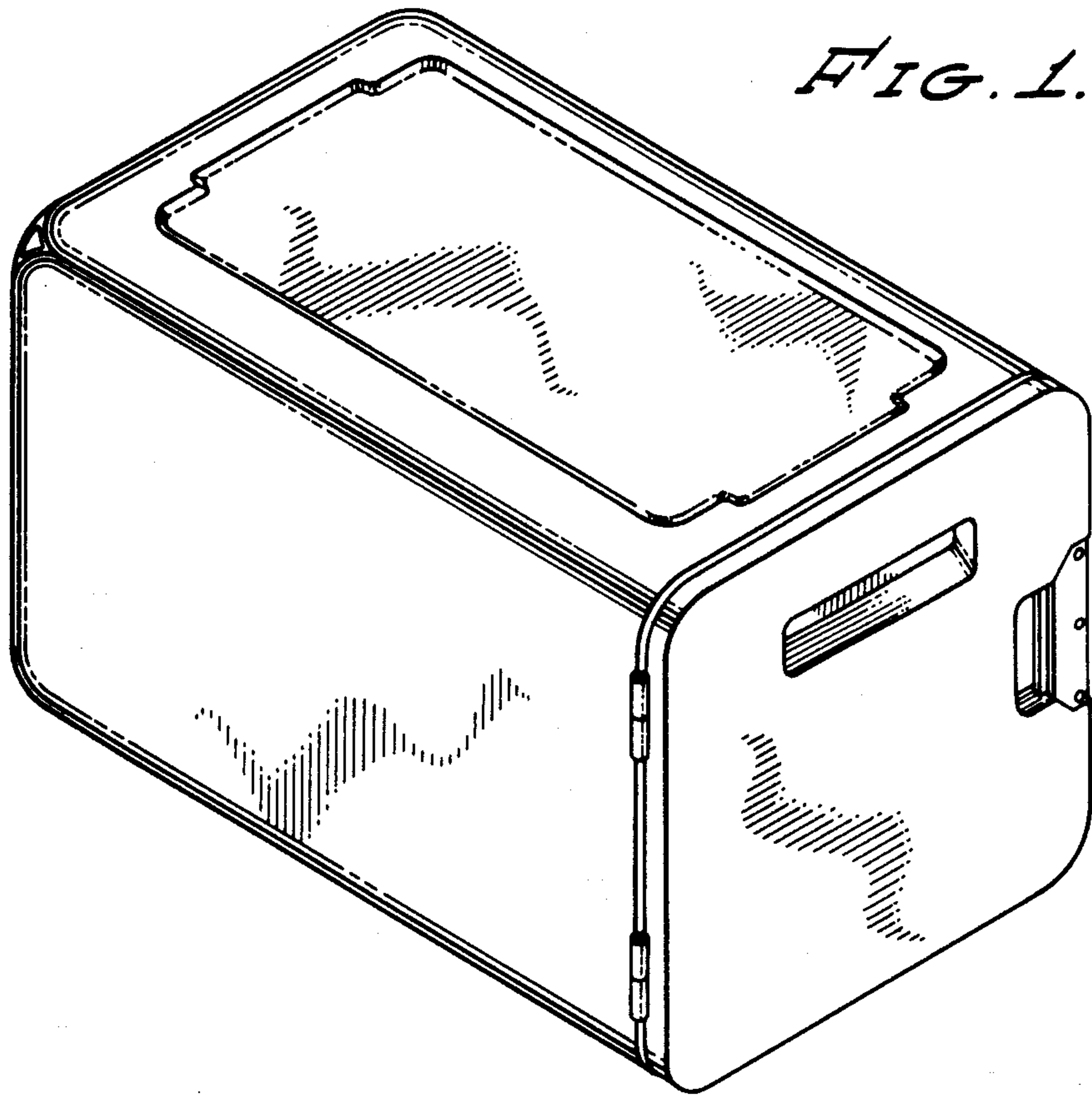


FIG. 2.

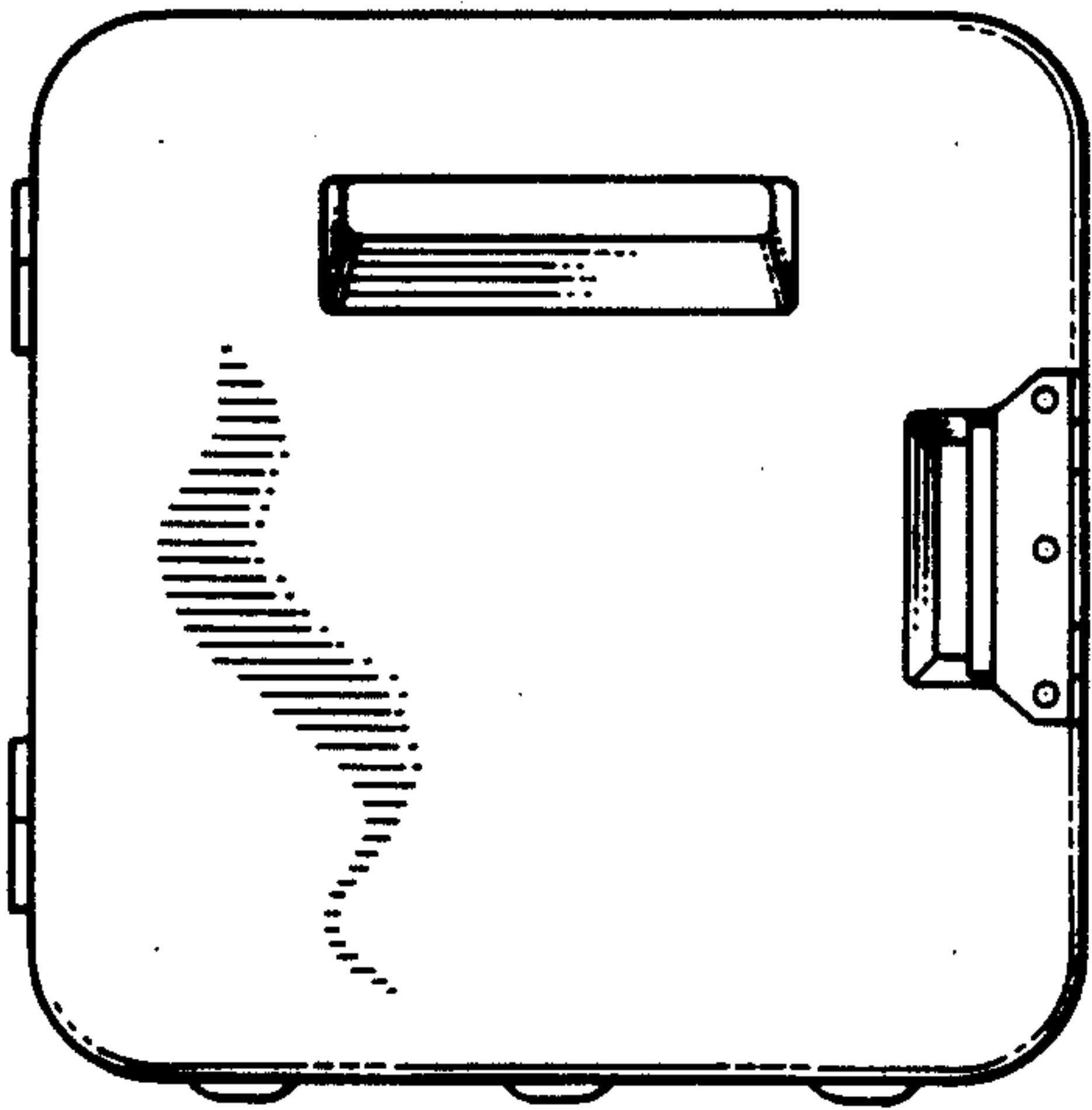


FIG. 6.

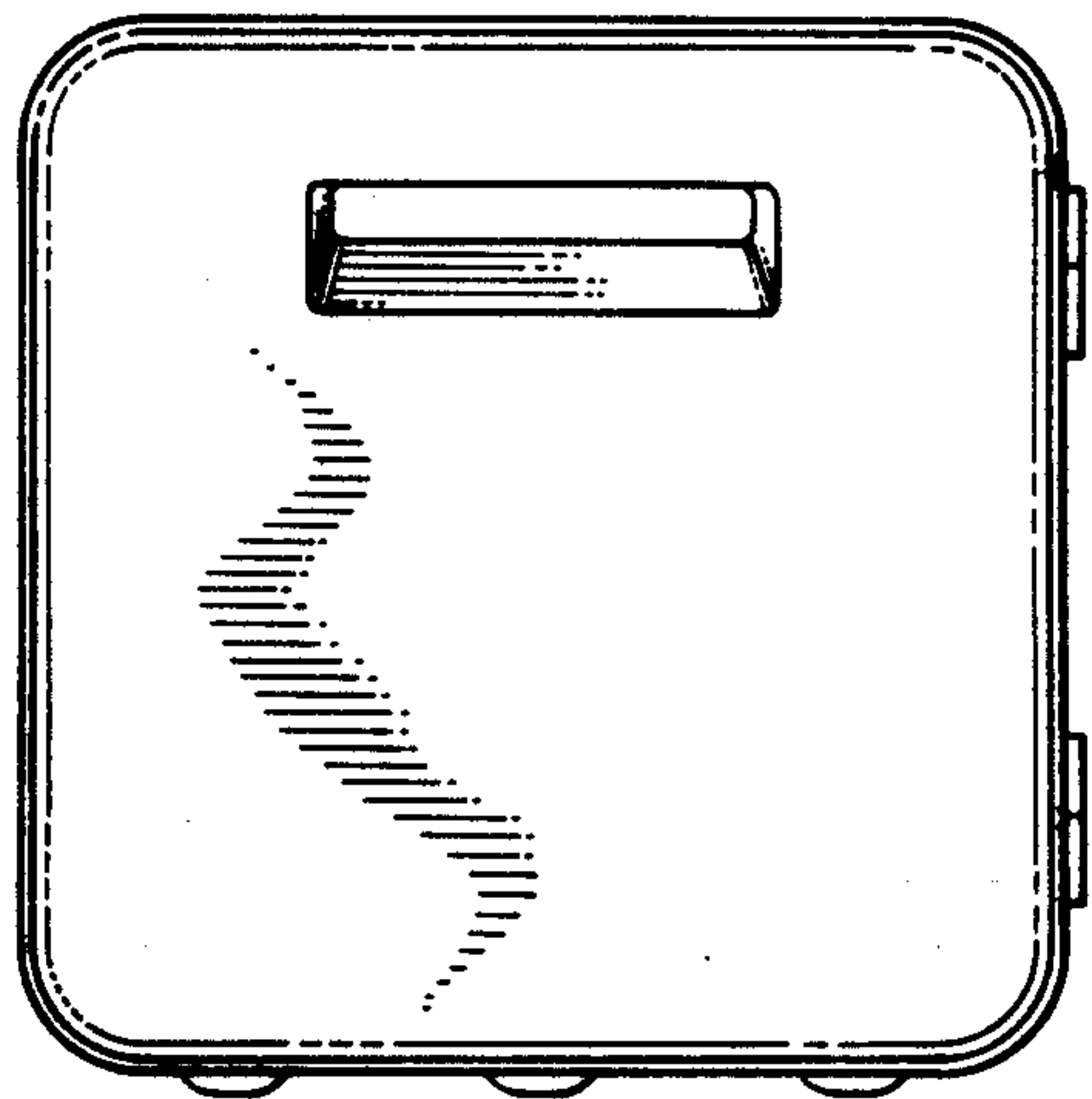


FIG. 3.

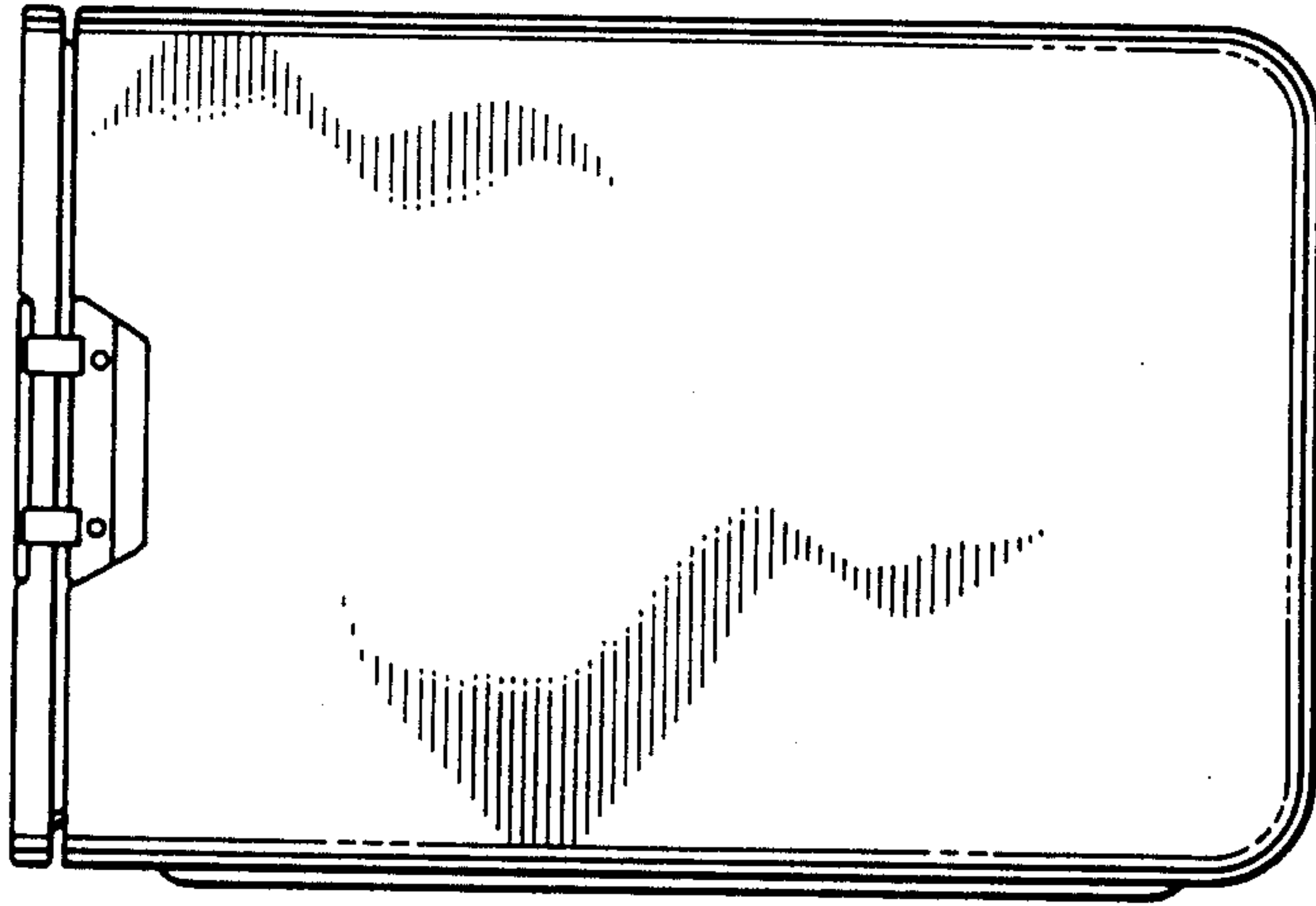


FIG. 4.

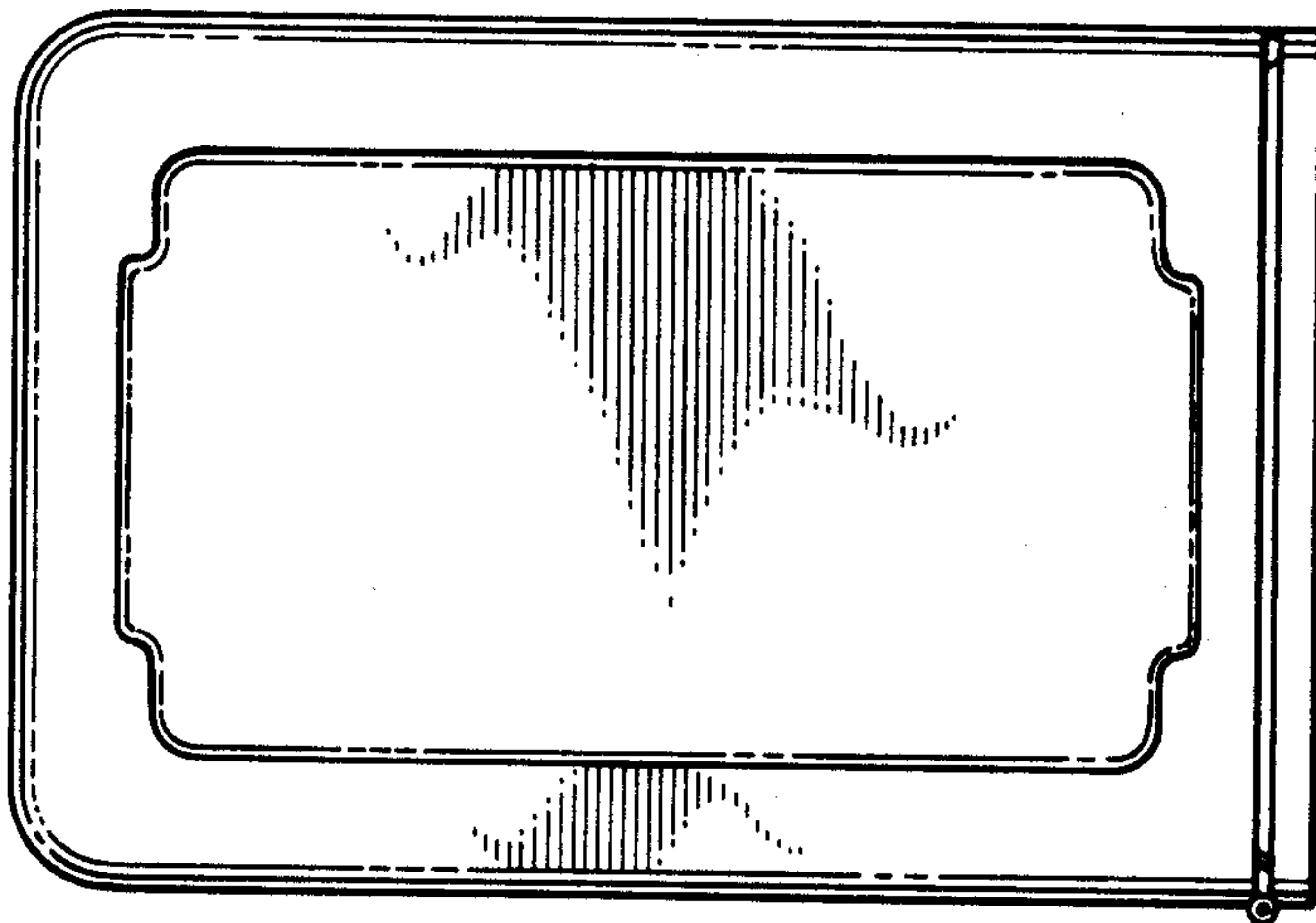


FIG. 5.

