

[54] FOOD SERVING TRAY

3,754,640 8/1973 Bridges ..... D7/38 X

[76] Inventor: Richard H. H. Spencer, 3131 Turtle Creek, Dallas, Tex. 75219

Primary Examiner—Winifred E. Herrmann  
Attorney, Agent, or Firm—Richards, Harris & Medlock

[\*\*] Term: 14 Years

[57] CLAIM

[21] Appl. No.: 857,799

The ornamental design for a food serving tray, as shown and described.

[22] Filed: Dec. 5, 1977

DESCRIPTION

[51] Int. Cl. .... D07—99

FIG. 1 is a top perspective view of a food serving tray showing my new design;

[52] U.S. Cl. .... D7/38; D9/185

FIG. 2 is a top plan view thereof; and

[58] Field of Search ..... D7/37, 38; D9/219, 242, D9/243, 184, 185, 187, 188, 189

FIG. 3 is a bottom plan view thereof;

FIG. 4 is a sectional view taken generally along section lines 4—4 in FIG. 2;

[56] References Cited

U.S. PATENT DOCUMENTS

FIG. 5 is a sectional view taken generally along section lines 5—5 in FIG. 2;

D. 88,285 11/1932 Blenker ..... D7/38

FIG. 6 is a sectional view taken generally along section lines 6—6 in FIG. 2; and

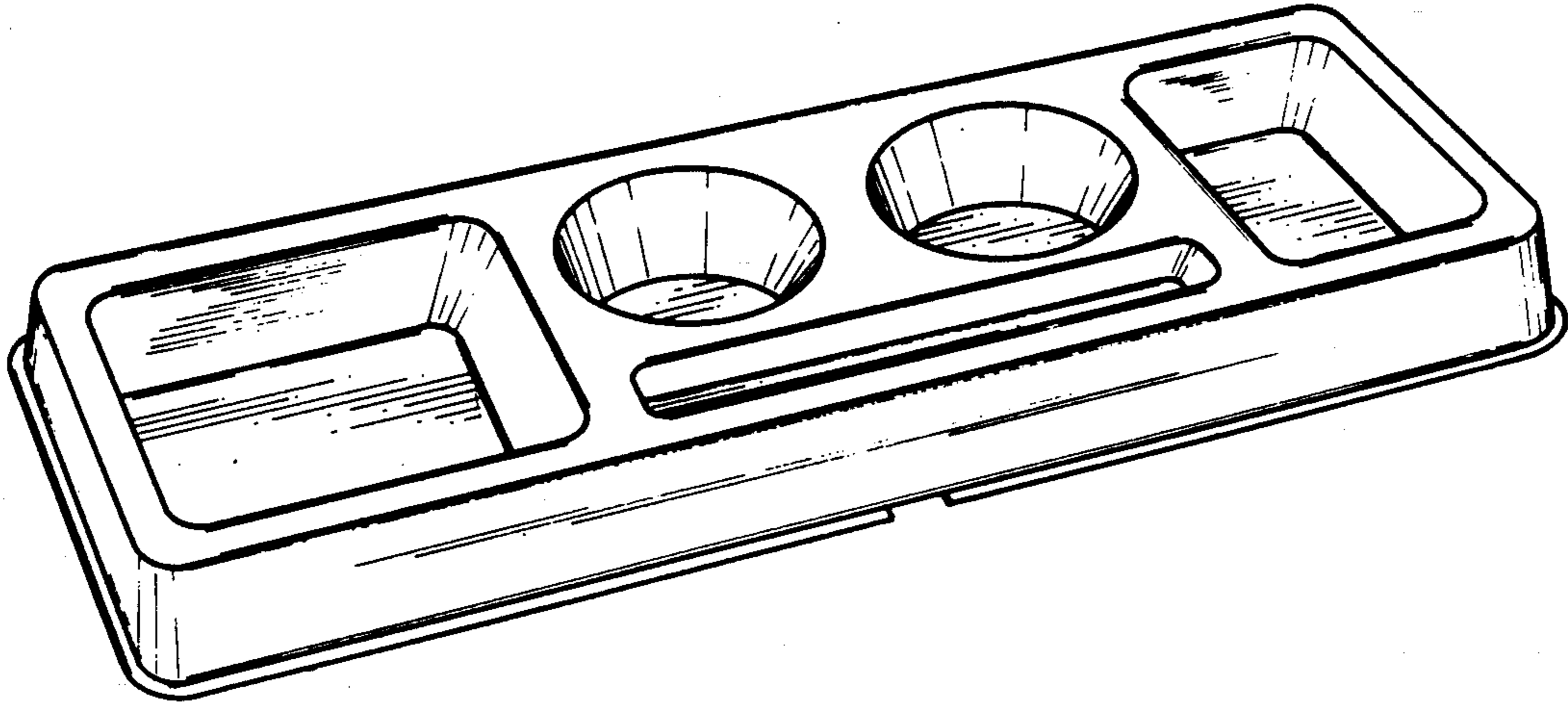
D. 122,589 9/1940 Bastress ..... D7/38

FIG. 7 is a sectional view taken generally along section lines 7—7 in FIG. 2.

D. 148,455 1/1948 Bleich et al. .... D7/38 X

D. 206,761 1/1967 Kirwan ..... D7/38

D. 246,945 1/1978 Shore ..... D7/38



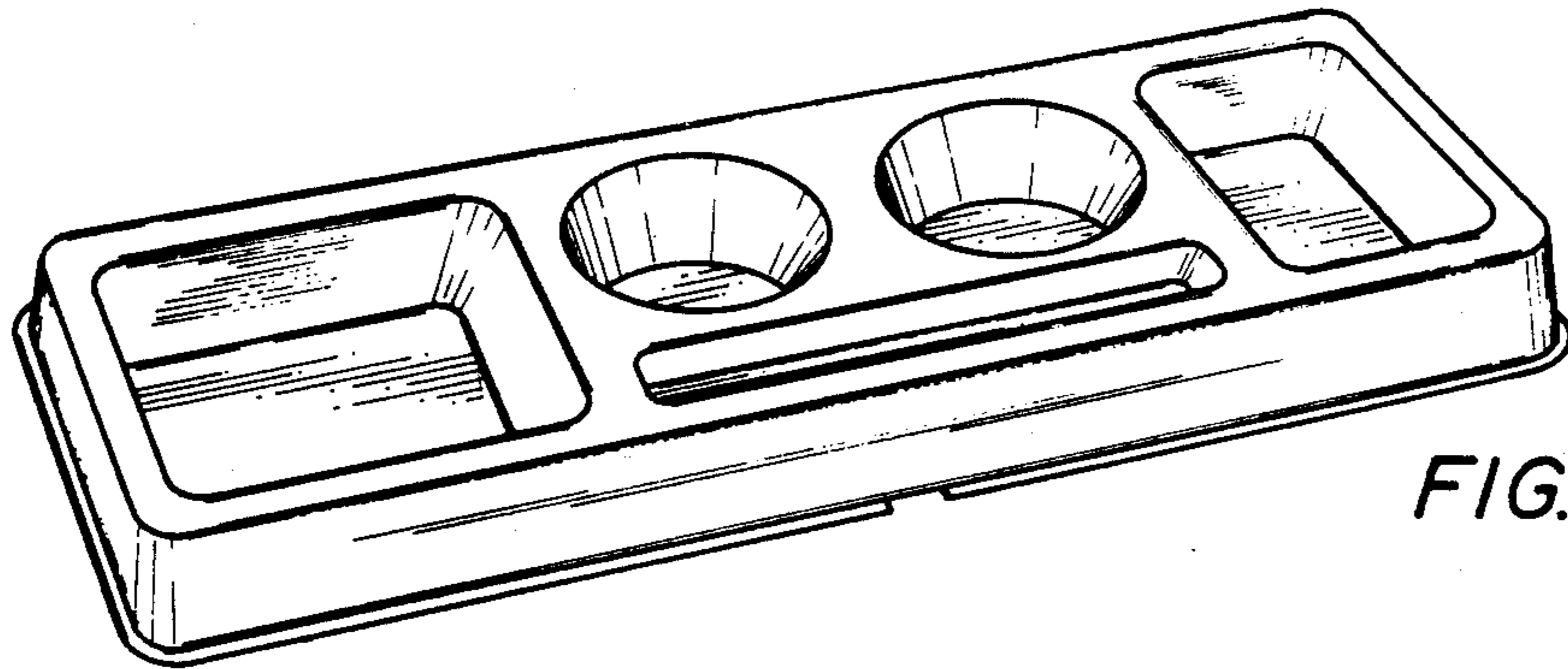


FIG. 1

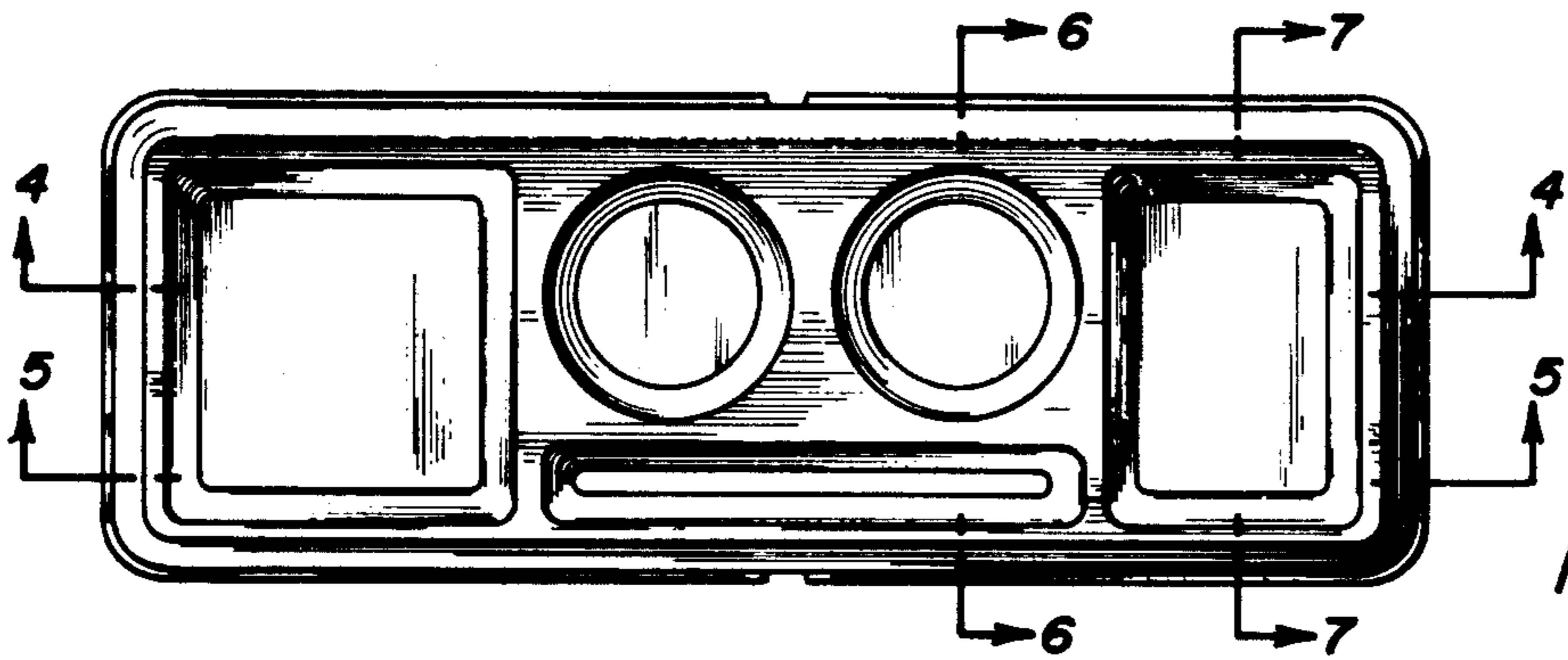


FIG. 2

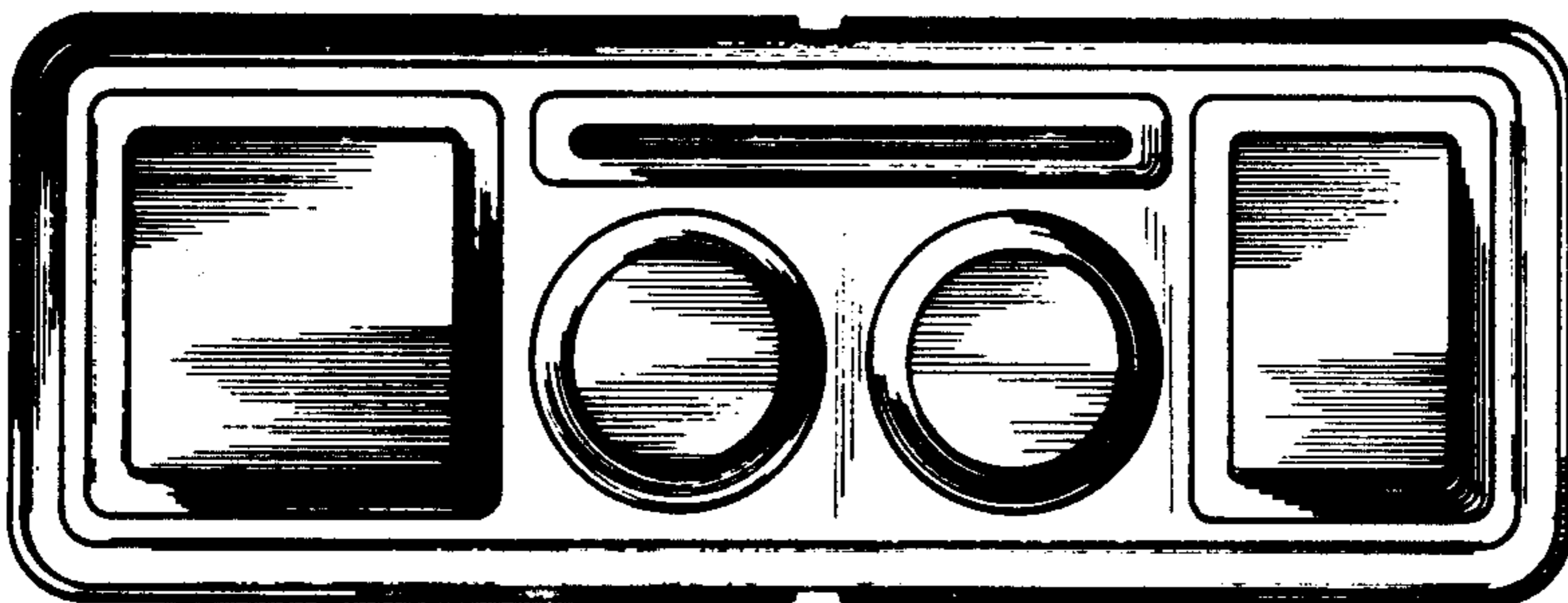


FIG. 3



FIG. 4

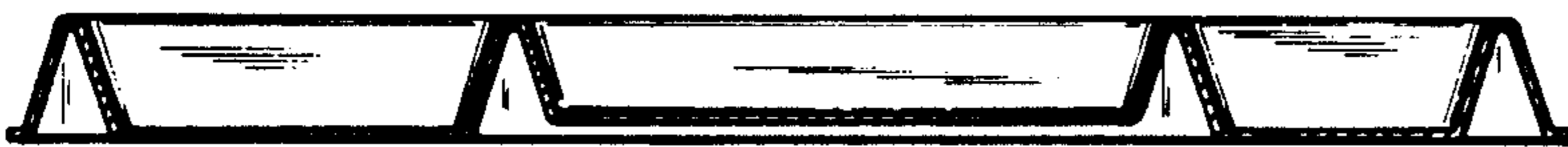


FIG. 5



FIG. 6

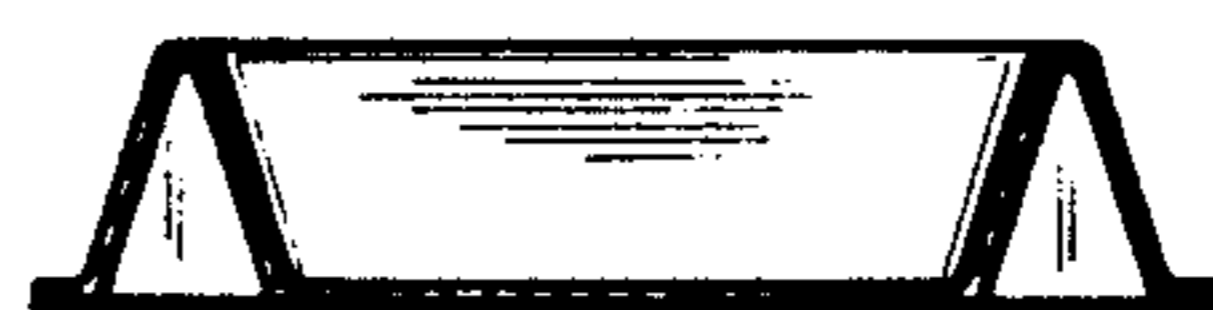


FIG. 7