

[54] AUTOMOBILE WHEEL DISPLAY STAND

420,761 2/1890 Bettendorf 211/24
3,435,955 4/1969 Brunette 211/24

[75] Inventor: John Gibson, Long Island, N.Y.

[73] Assignee: Central States Diversified, Inc., New York, N.Y.

[**] Term: 14 Years

[21] Appl. No.: 905,238

[22] Filed: May 12, 1978

[51] Int. Cl. D20-02

[52] U.S. Cl. D6/24; D6/28;
D6/157

[58] Field of Search D6/20, 23-25,
D6/27-29, 85, 157; 211/13, 23, 24, 181, 182,
163

[56] References Cited

U.S. PATENT DOCUMENTS

D. 211,222 5/1968 Trogan D6/28

OTHER PUBLICATIONS

Hardware Age, 5/4/1950, p. 63, Display Stand (lower right corner).

Primary Examiner—Wallace R. Burke

Assistant Examiner—B. J. Bullock

Attorney, Agent, or Firm—John J. Hart

[57] CLAIM

The ornamental design for an automobile wheel display stand, as shown.

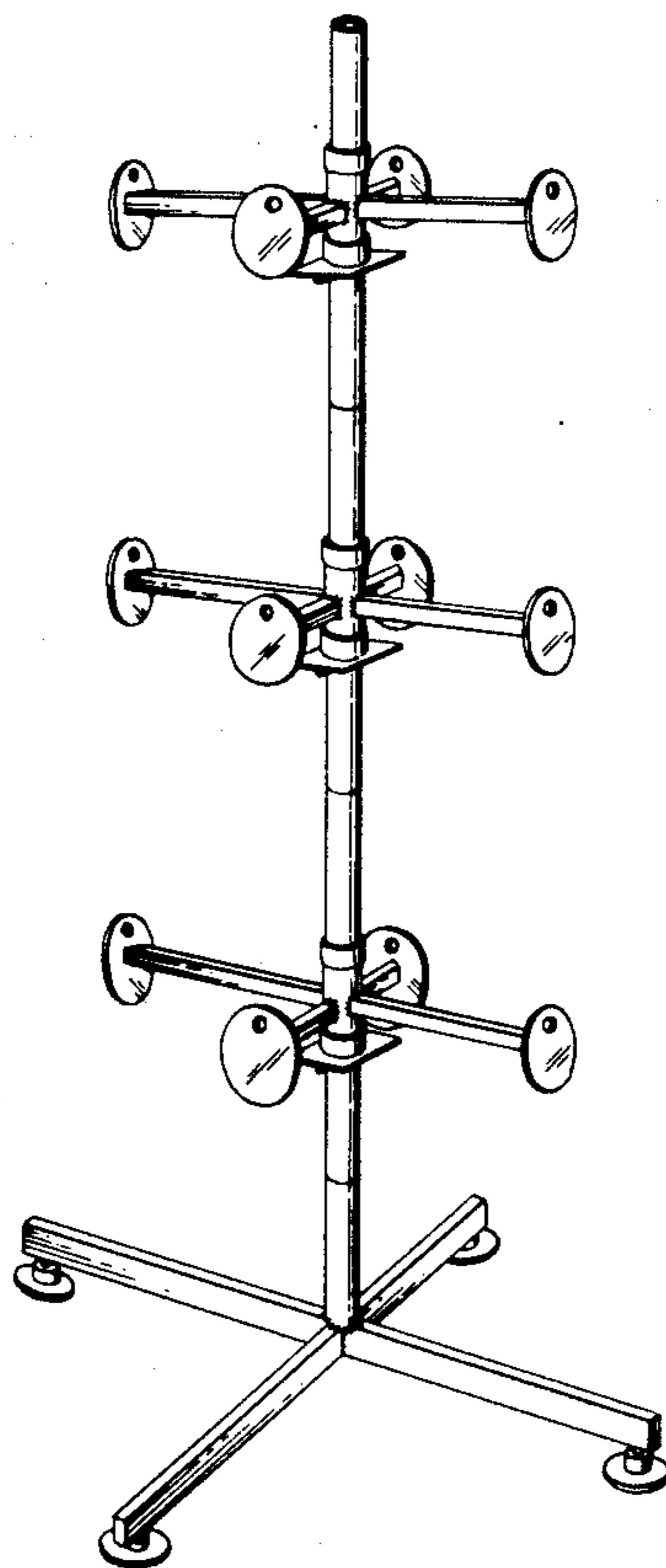
DESCRIPTION

FIG. 1 is a front elevational view of an automobile wheel display stand showing my new design, the other sides being identical;

FIG. 2 is a top plan view thereof;

FIG. 3 is a bottom plan view thereof.

FIG. 4 is a perspective view thereof.



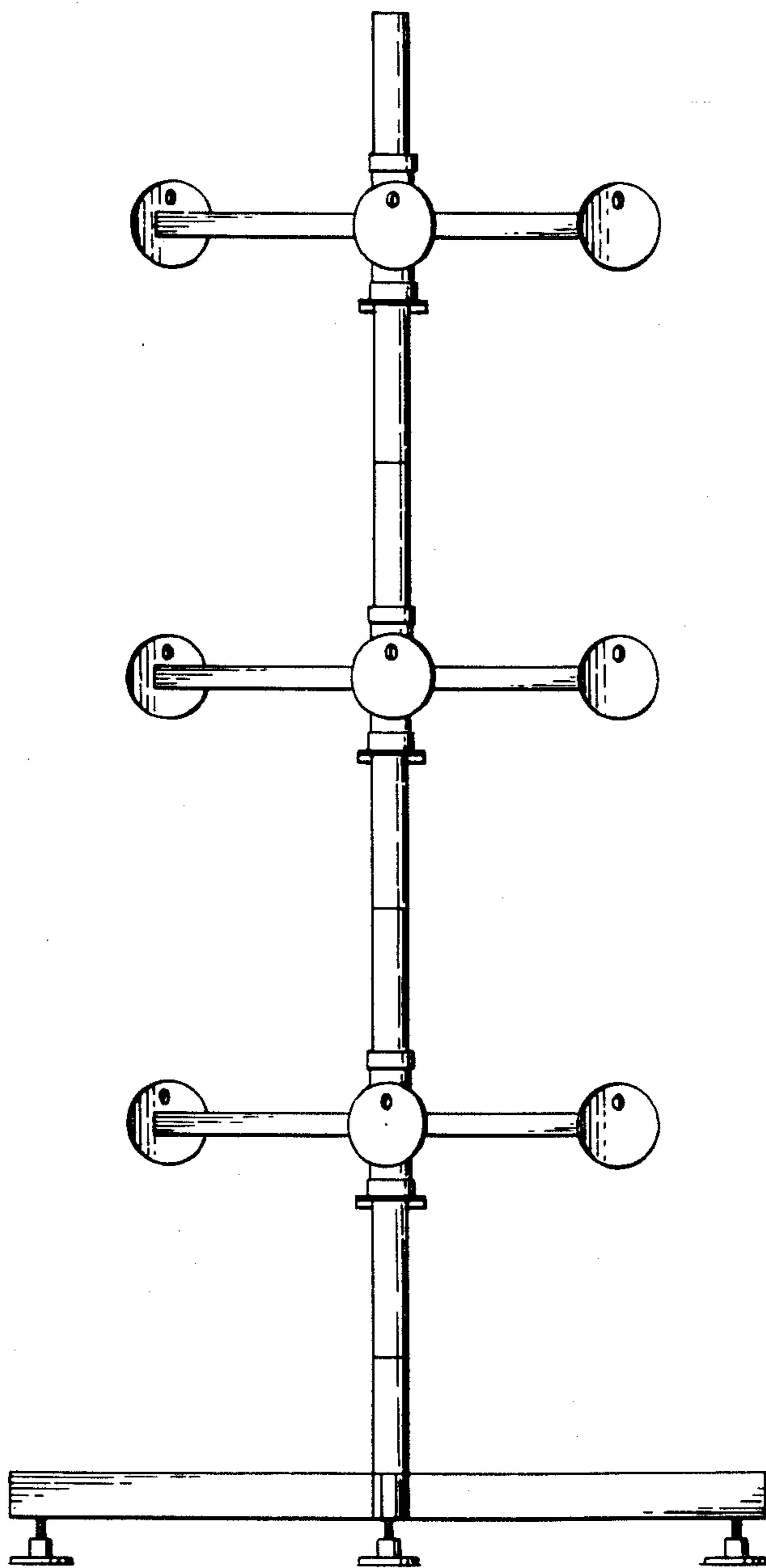


FIG. 1

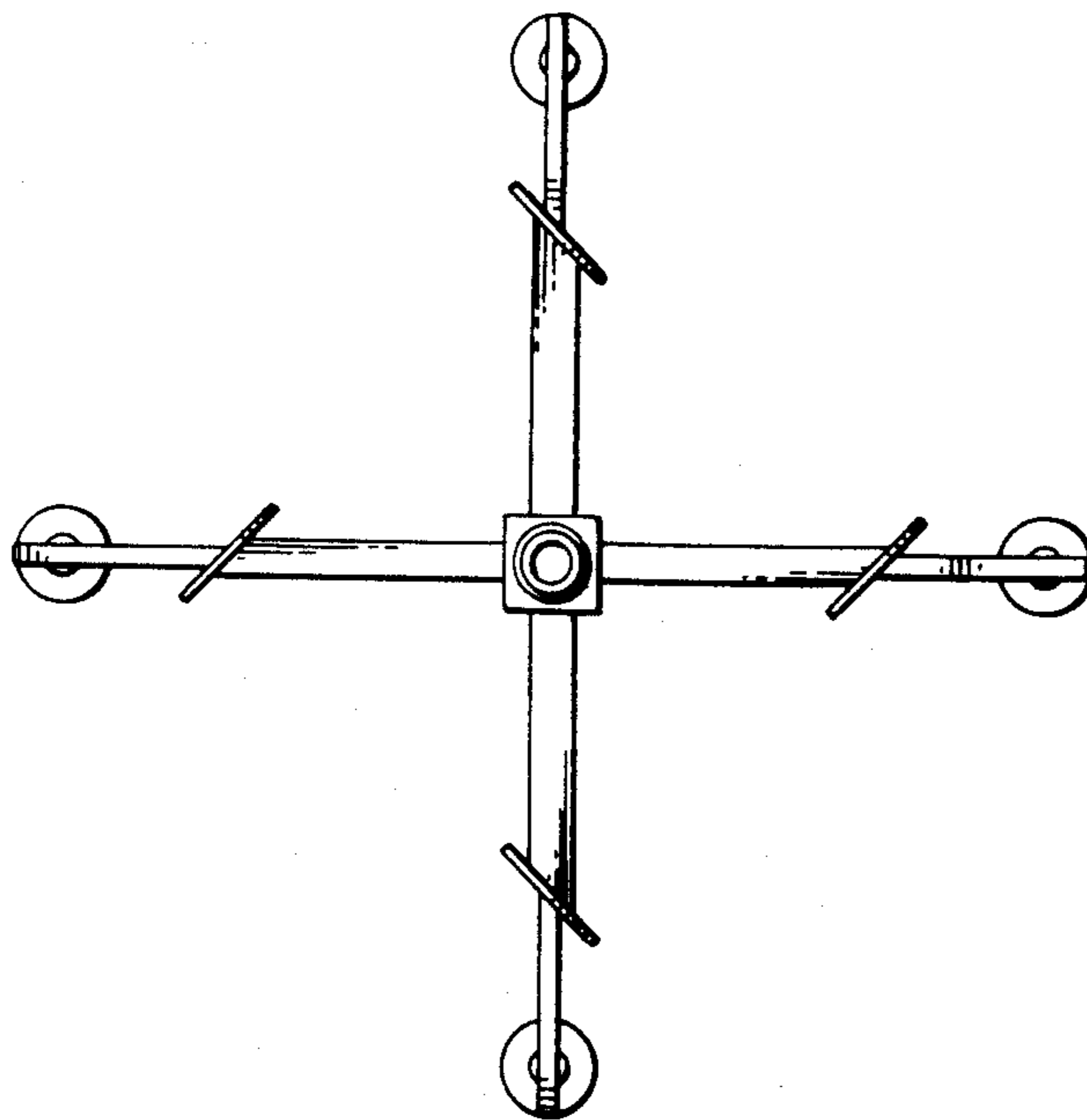


FIG. 2

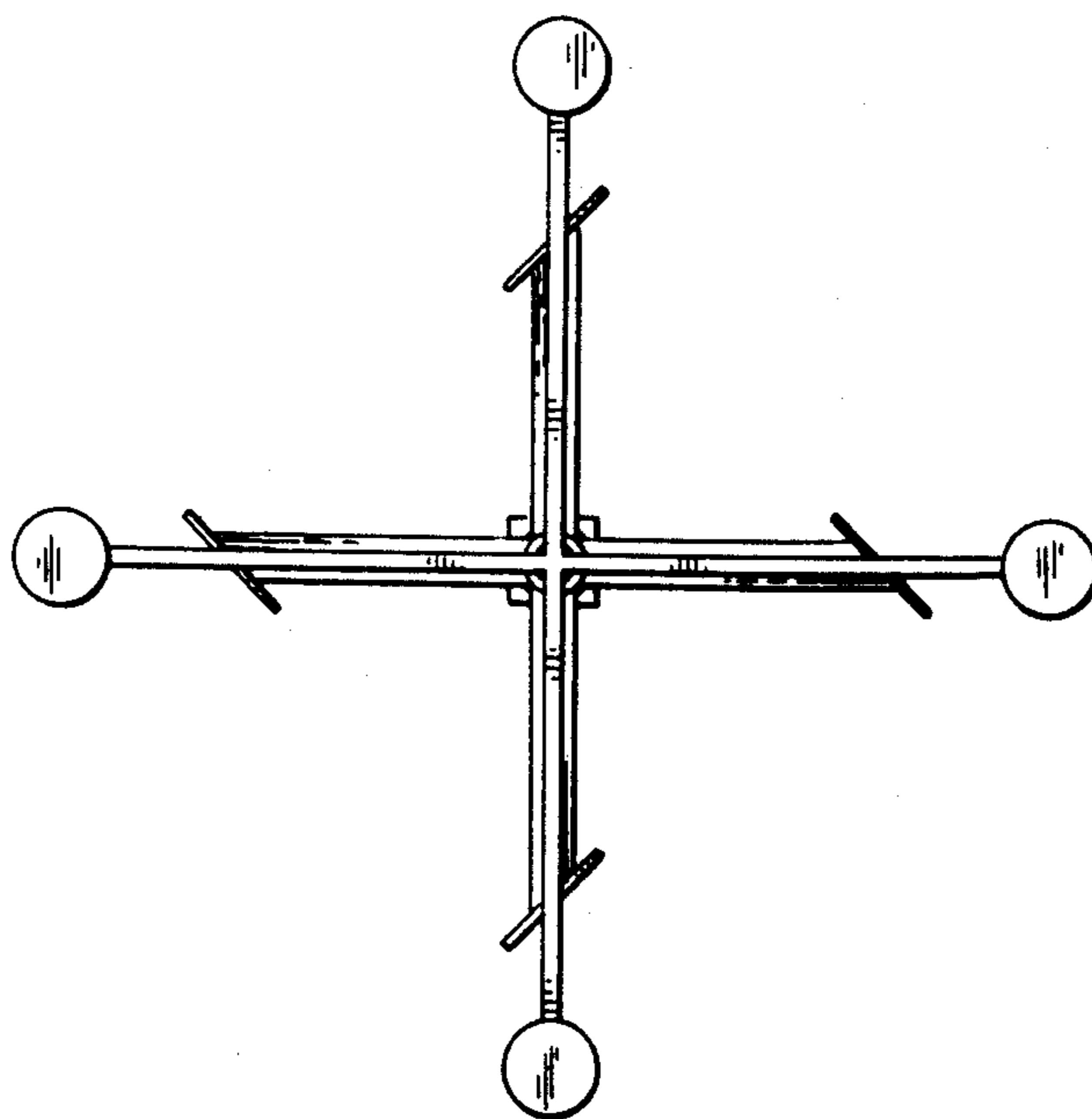


FIG. 3

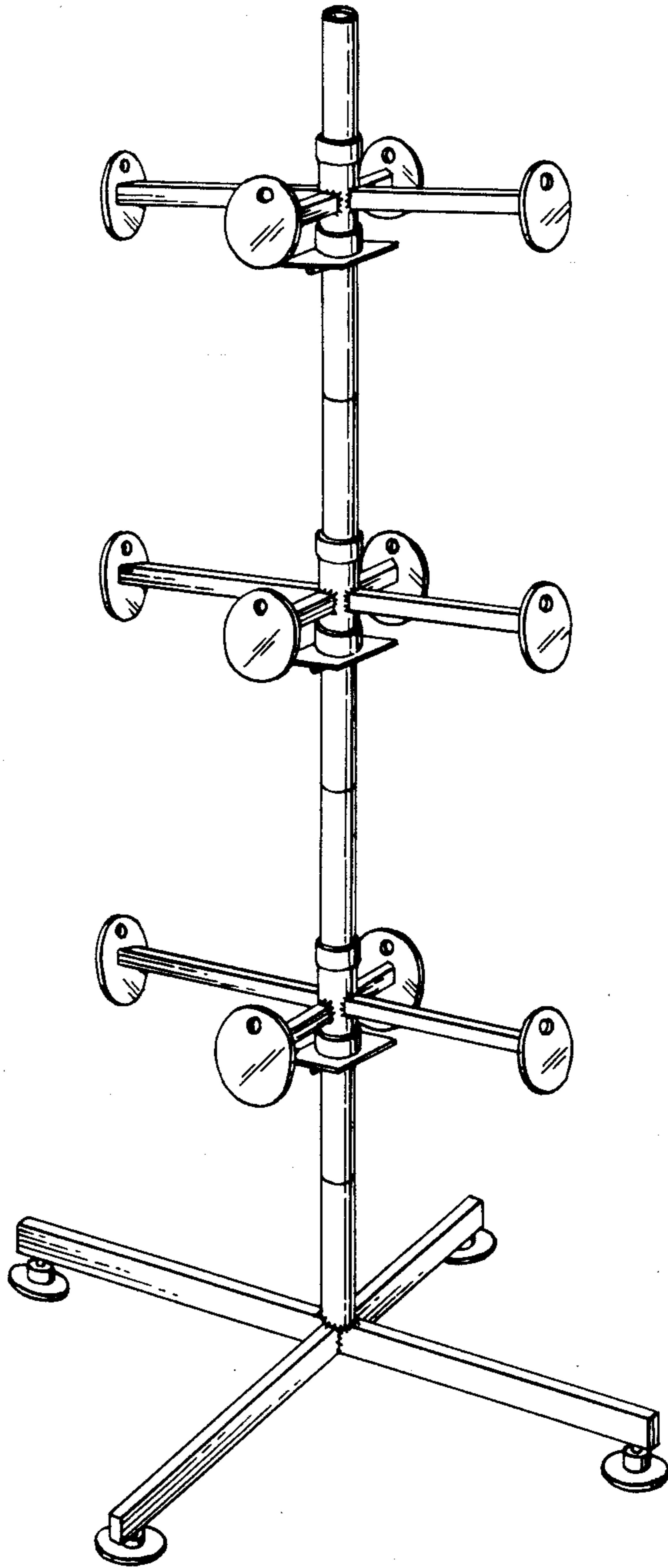


FIG. 4