

[54] CANE
 [75] Inventor: Morton I. Thomas, Nyack, N.Y.
 [73] Assignee: Temco Products, Inc., Passaic, N.J.
 [**] Term: 14 Years
 [21] Appl. No.: 866,407
 [22] Filed: Dec. 30, 1977
 [51] Int. Cl. D3-03
 [52] U.S. Cl. D3/9; 135/67
 [58] Field of Search D3/7, 9, 17; 135/65,
 135/66-69, DIG. 11, 75; 248/155, 155.1,
 155.2-155.5, 460, 463-465

4,106,521 8/1978 Thomas D3/9

OTHER PUBLICATIONS

The Journal of Bone and Joint Surgery, Oct. 1953, p. 54.

Primary Examiner—Donald B. Moyer
Attorney, Agent, or Firm—Richard C. Woodbridge

[57] CLAIM

The ornamental design for a cane, as shown and described.

DESCRIPTION

FIG. 1 is a front perspective view of a cane showing my new design with the legs partially extended and the cane in the unfolded state;

FIG. 2 is a rear perspective view thereof;

FIG. 3 is a left side elevational view thereof;

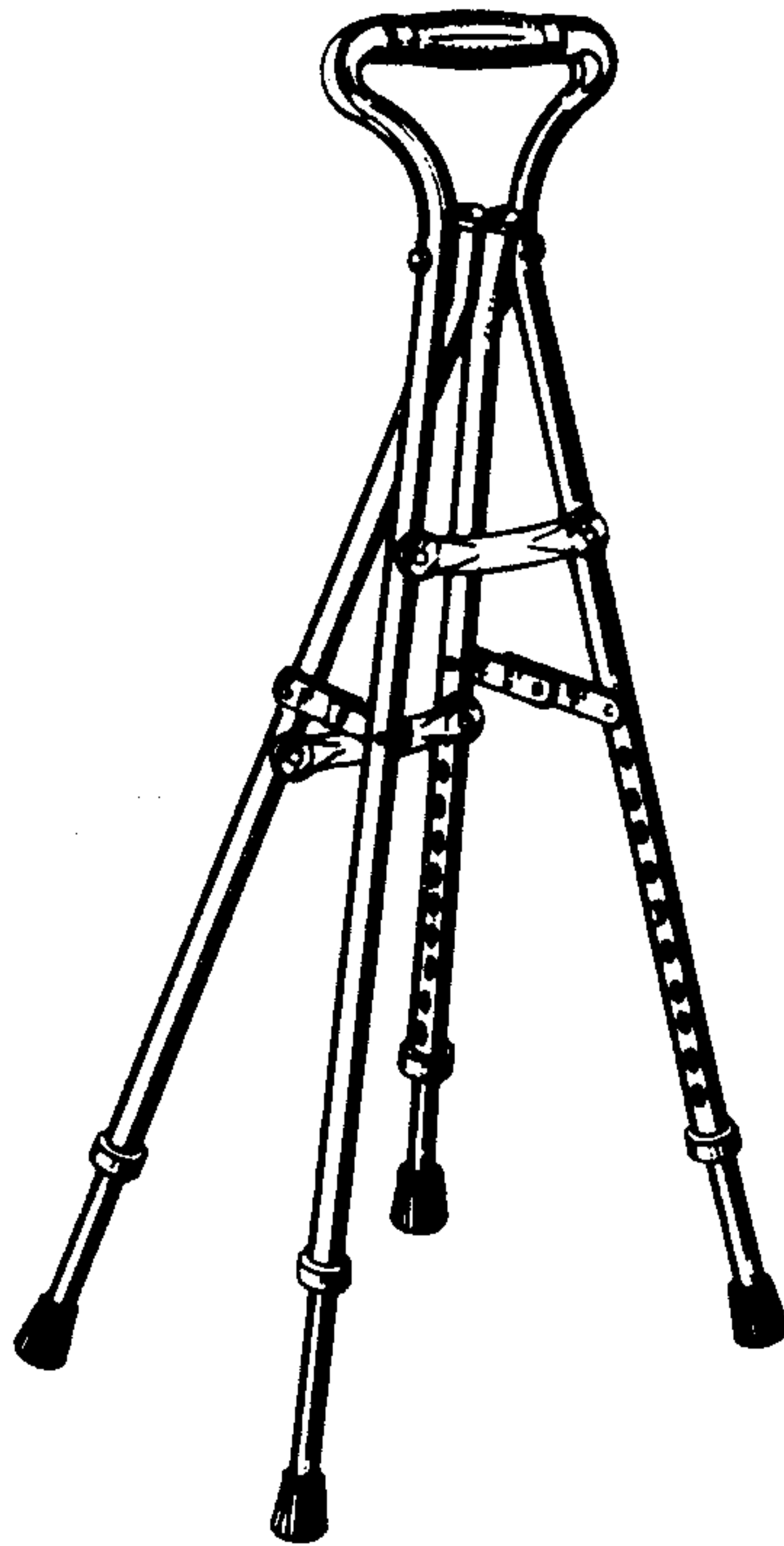
FIG. 4 is an enlarged scale top plan view thereof;

FIG. 5 is an enlarged scale bottom plan view thereof.

[56] References Cited

U.S. PATENT DOCUMENTS

D. 216,288	12/1969	Murcott	D3/9
3,690,652	9/1972	Schneider	135/67
3,993,088	11/1976	Thomas	135/67



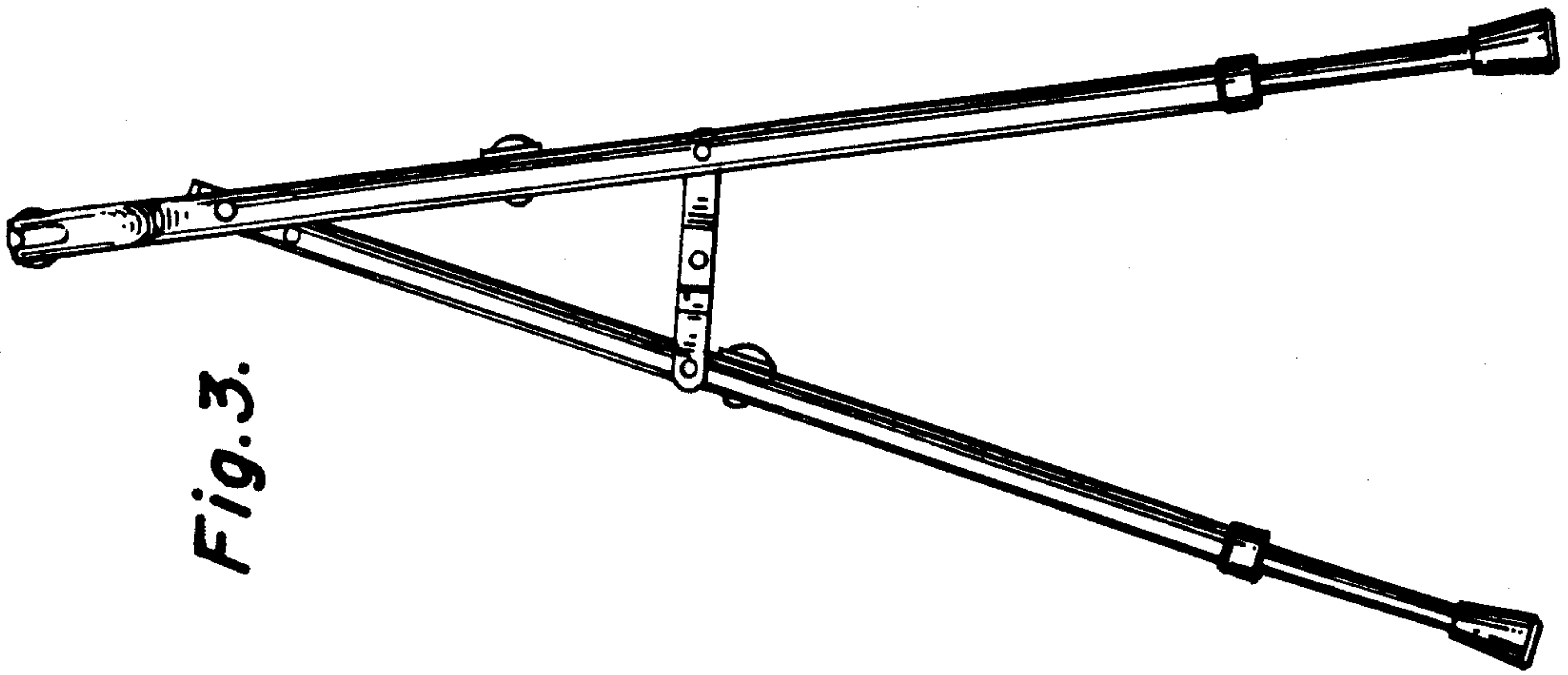


Fig. 3.

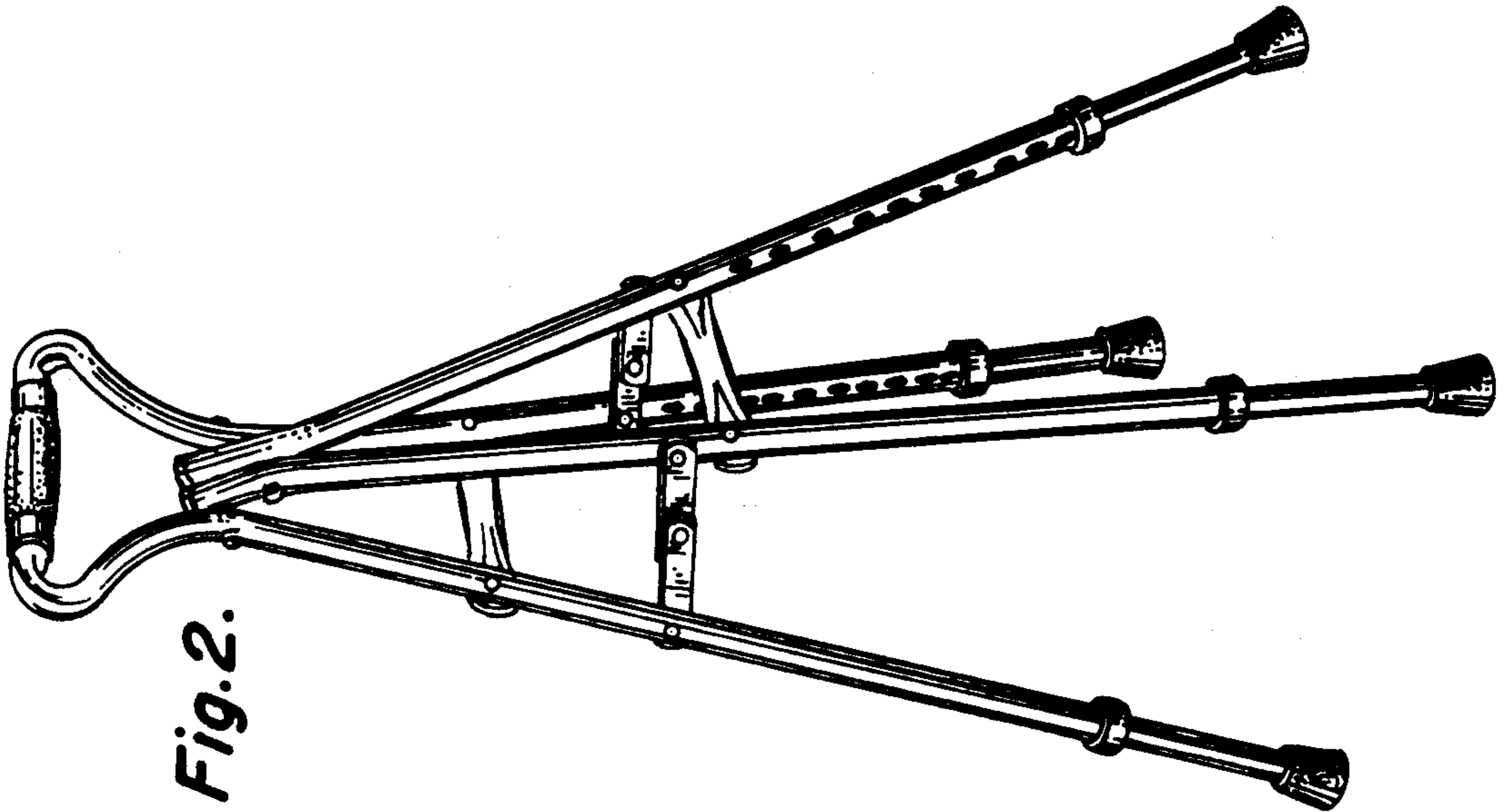


Fig. 2.

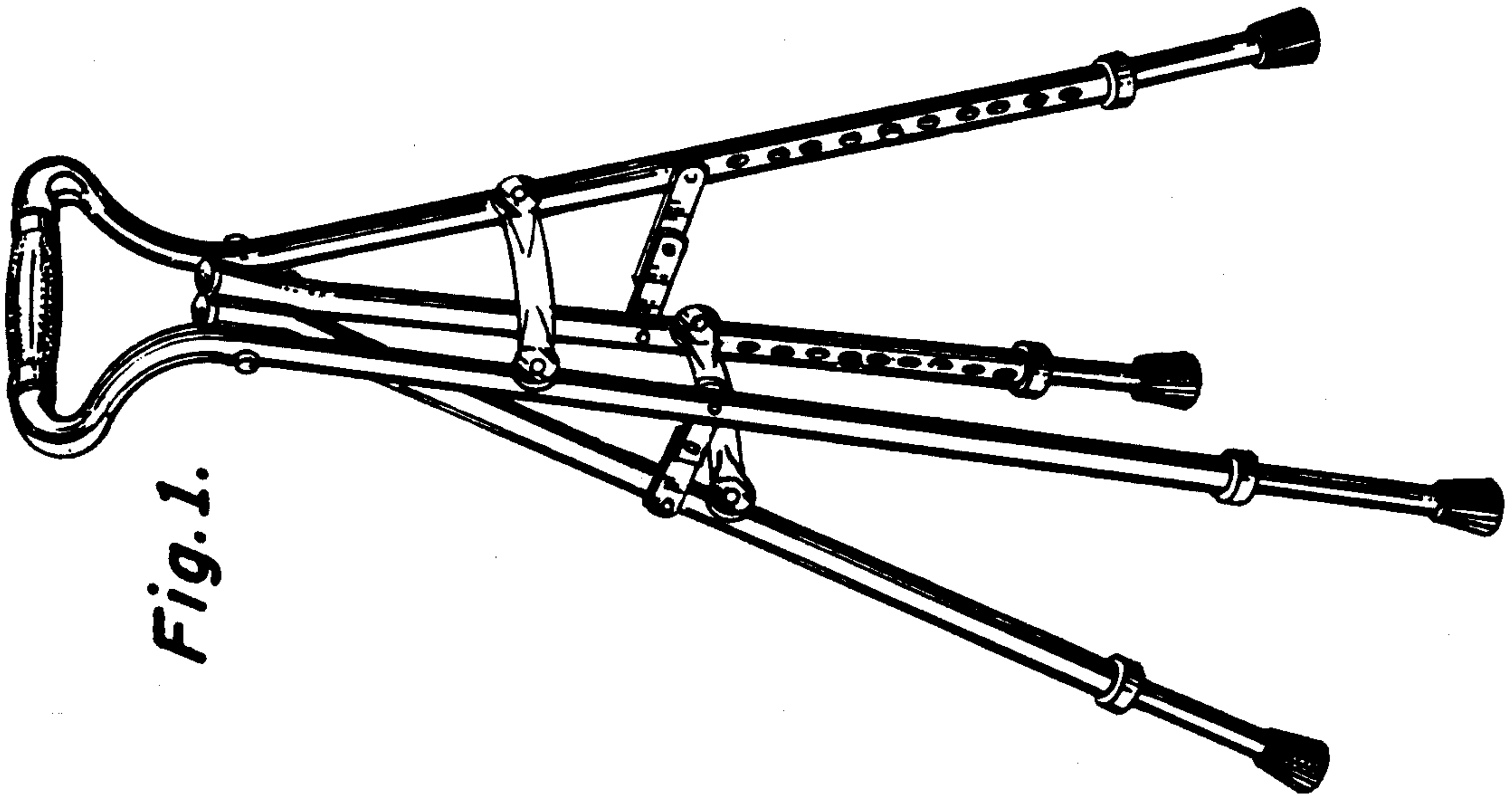


Fig. 1.

Fig. 4.

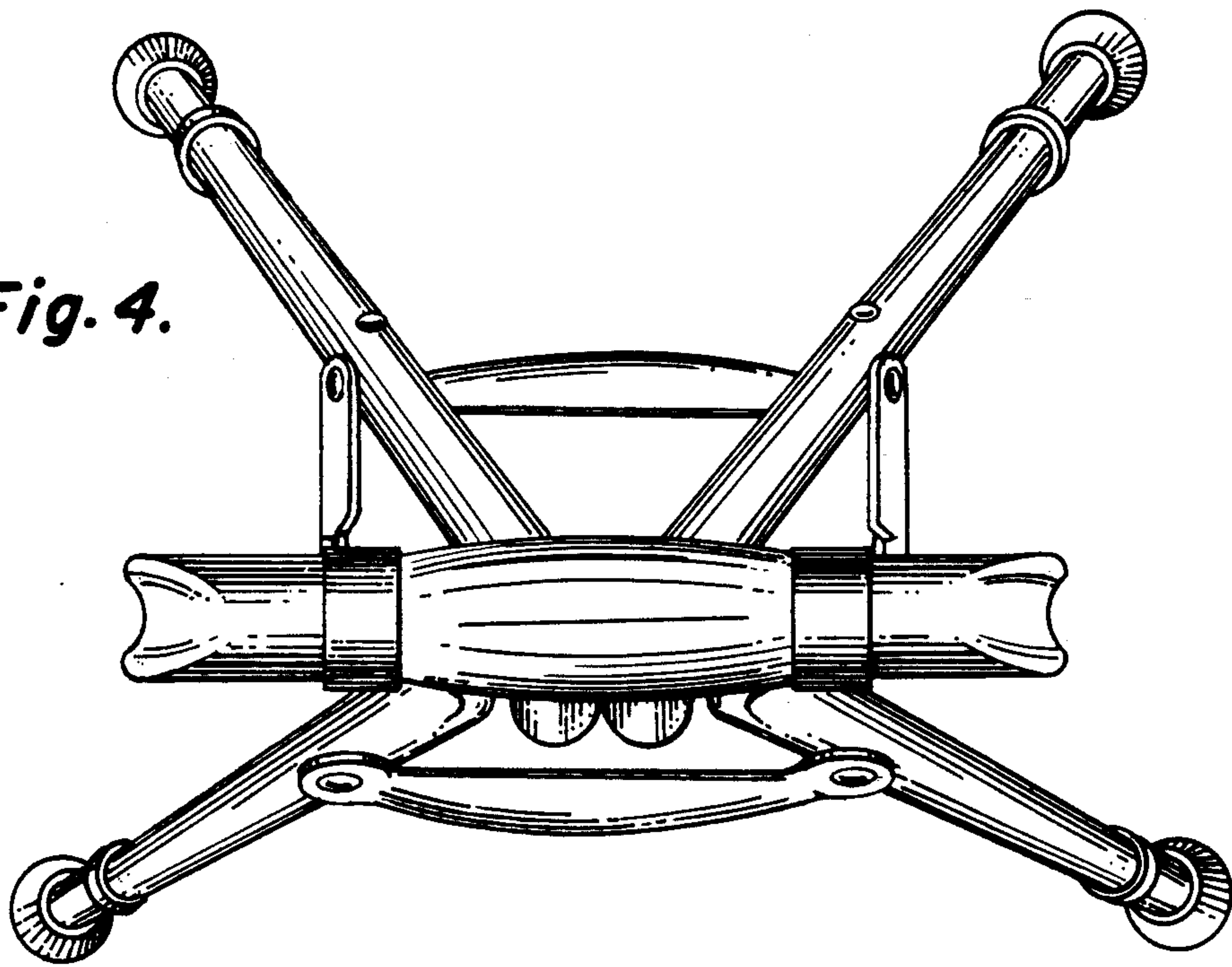


Fig. 5.

