

[54] KNEELING BOARD FOR CONCRETE FINISHERS

[56]

References Cited

U.S. PATENT DOCUMENTS

[76] Inventor: Mark J. Breitenstine, 3097 Chenoweth Rd., Akron, Ohio 44312

2,363,058	11/1944	Gill	2/24
2,627,301	2/1953	Emmett	182/230
3,025,526	3/1962	Ramon	2/24
3,112,812	12/1963	Ramon	182/230

[**] Term: 14 Years

Primary Examiner—George G. Stellar
Attorney, Agent, or Firm—Mack D. Cook, II

[21] Appl. No.: 838,254

[57] CLAIM

[22] Filed: Sep. 30, 1977

The ornamental design for a kneeling board for concrete finishers, substantially as shown and described.

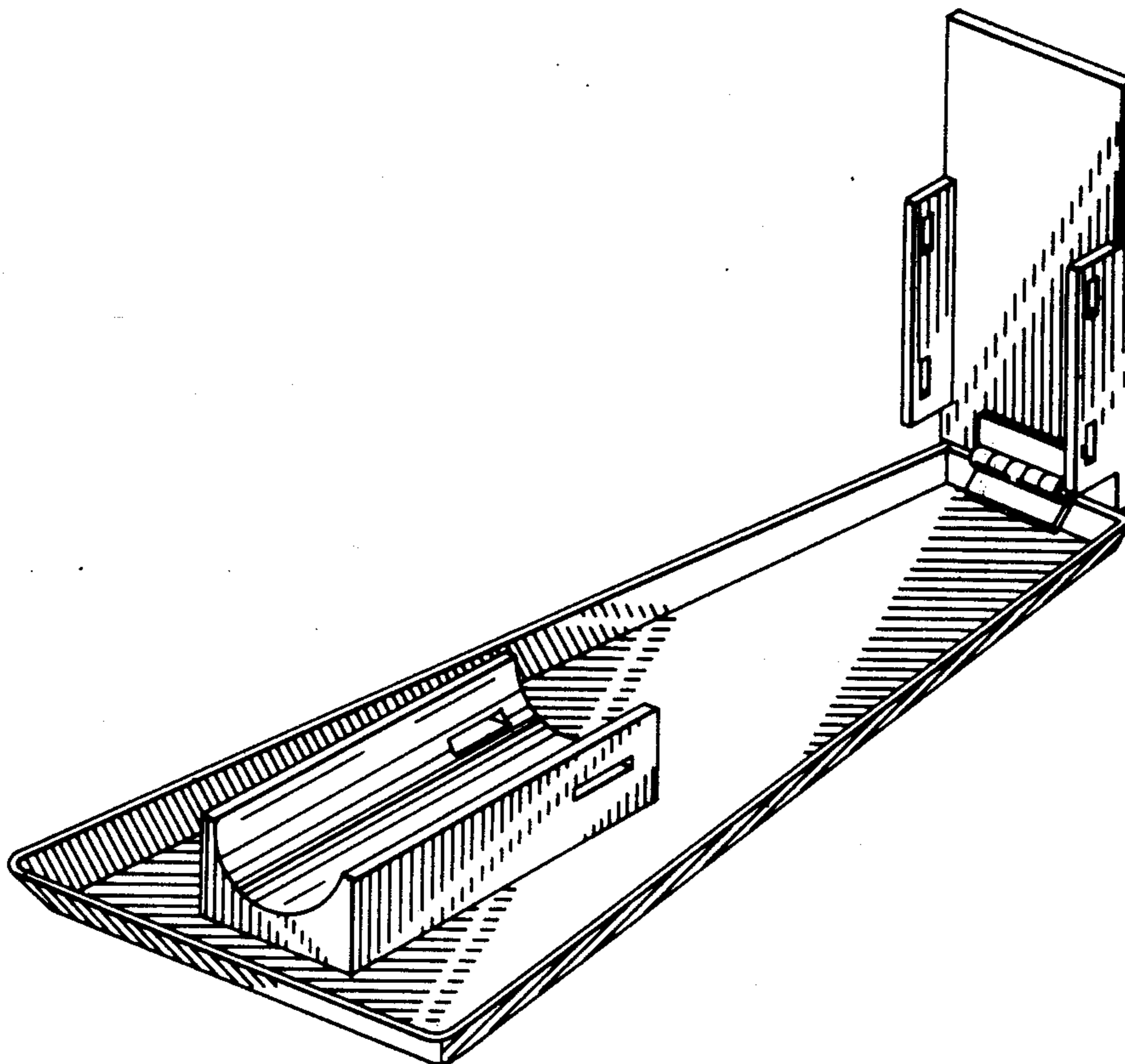
[51] Int. Cl. D2-02

DESCRIPTION

[52] U.S. Cl. D2/27; 2/24; 182/230

FIG. 1 is a perspective view of a kneeling board for concrete finishers showing my new design;
FIG. 2 is a top plan view thereof;
FIG. 3 is a side elevational view thereof;
FIG. 4 is a front elevational view thereof.

[58] Field of Search D2/27, 225; D8/14, 45, D8/499; 2/22, 23, 24, 51, 62; 182/230



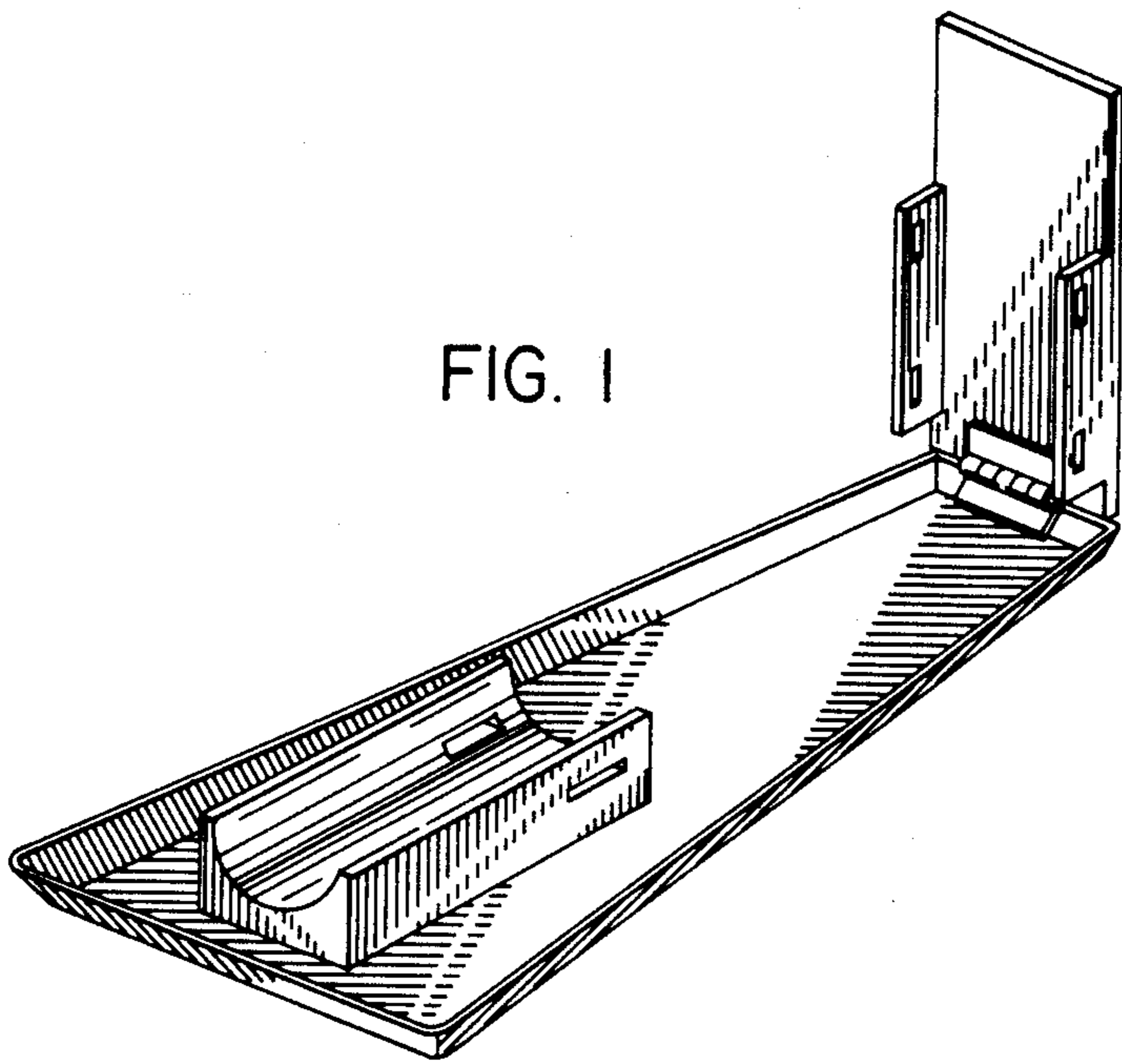


FIG. 1

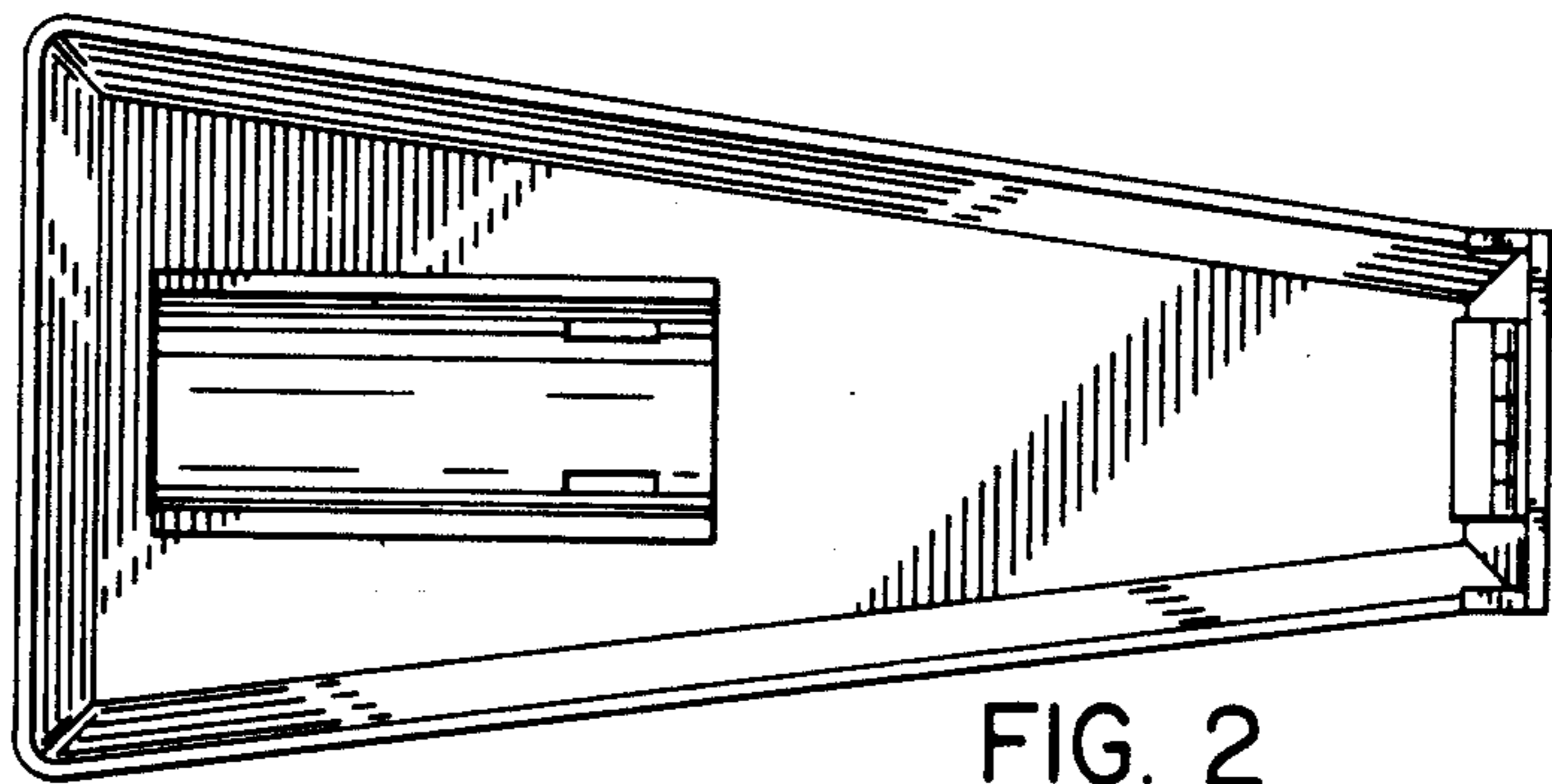


FIG. 2

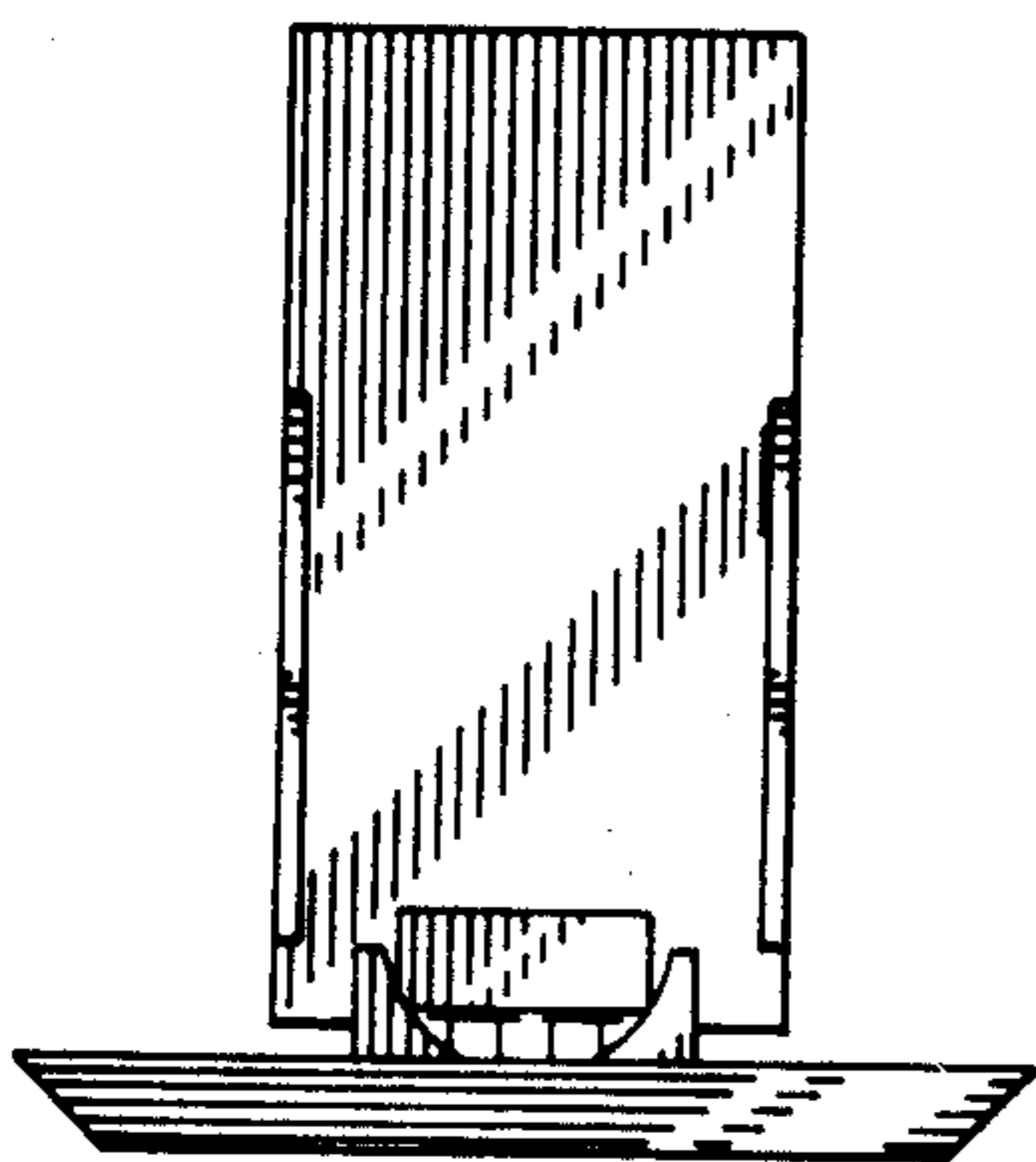


FIG. 4

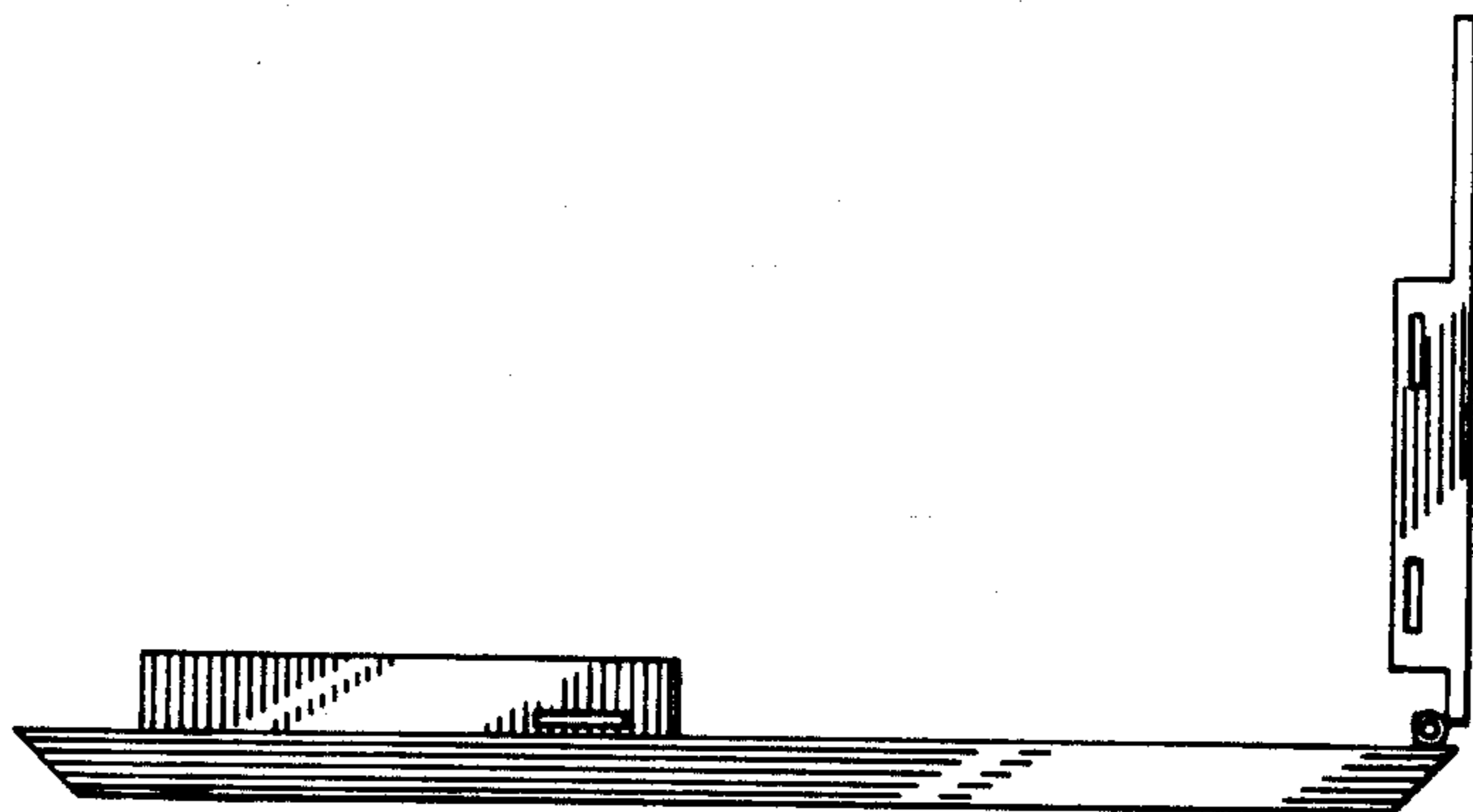


FIG. 3