

[54] AQUARIUM OR SIMILAR ARTICLE

[76] Inventor: Tony Robert, 5701 Southwest Fwy., Houston, Tex. 77057

[**] Term: 14 Years

[21] Appl. No.: 7,803

[22] Filed: Jan. 30, 1979

[51] Int. Cl. D30-02

[52] U.S. Cl. D30/8

[58] Field of Search D30/6-12; 119/5

[56] References Cited

U.S. PATENT DOCUMENTS

- D. 136,624 11/1943 Richards D30/6
- D. 239,180 3/1976 Robert D30/8

- D. 240,141 6/1976 Robert D30/6
- D. 240,446 7/1976 Robert D30/6 X
- D. 240,742 7/1976 Robert D30/8
- D. 244,099 4/1977 Robert D30/7
- D. 244,553 5/1977 Robert D30/7
- 2,512,678 6/1952 Rice D30/6 X

Primary Examiner—James R. Largen

[57] CLAIM

The ornamental design for an aquarium or similar article, as shown and described.

DESCRIPTION

FIG. 1 is a side elevational view of an aquarium or similar article showing my new design;
 FIG. 2 is an end elevational view;
 FIG. 3 is a top plan view; and
 FIG. 4 is a bottom plan view.

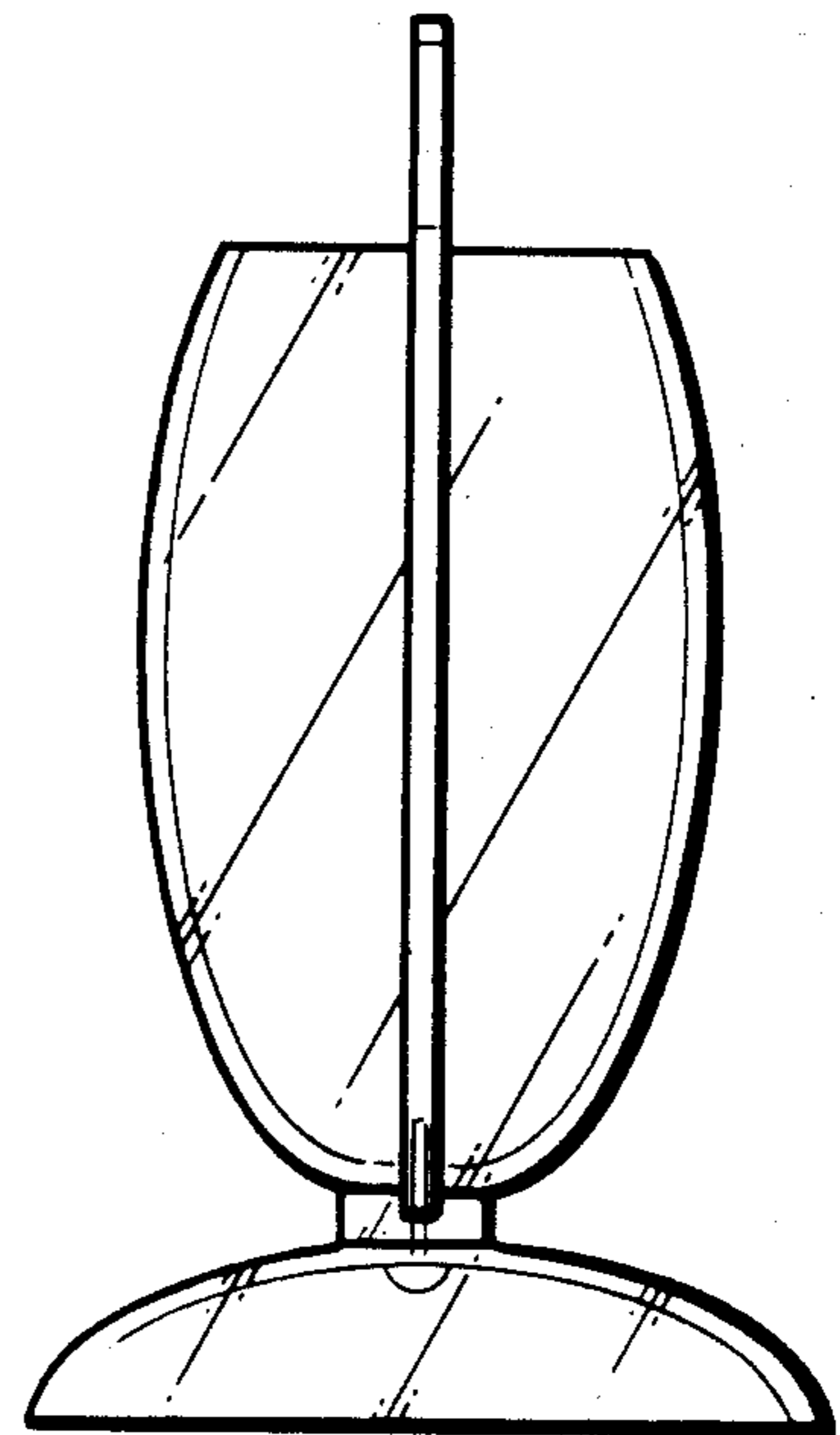
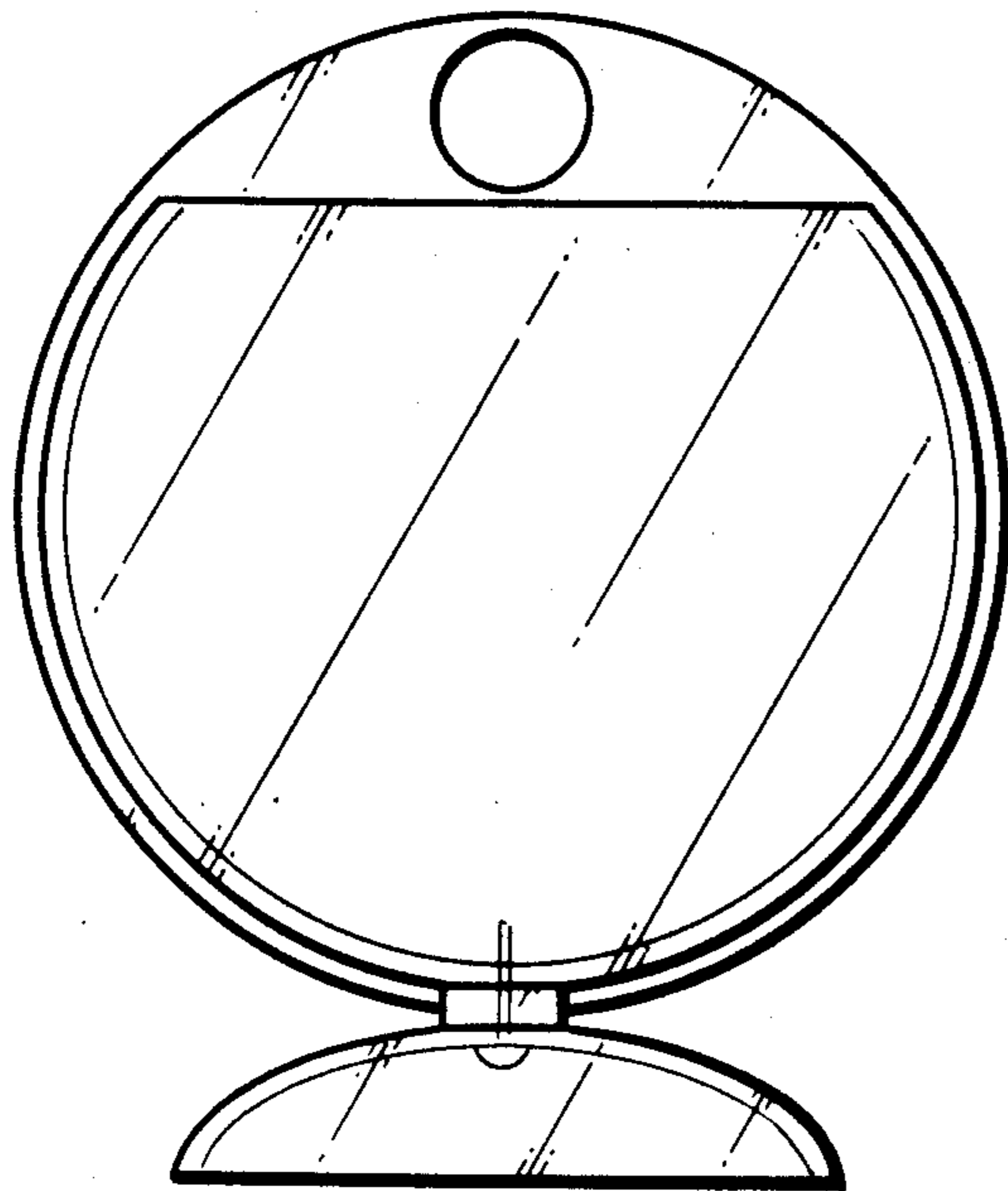


Fig. 1

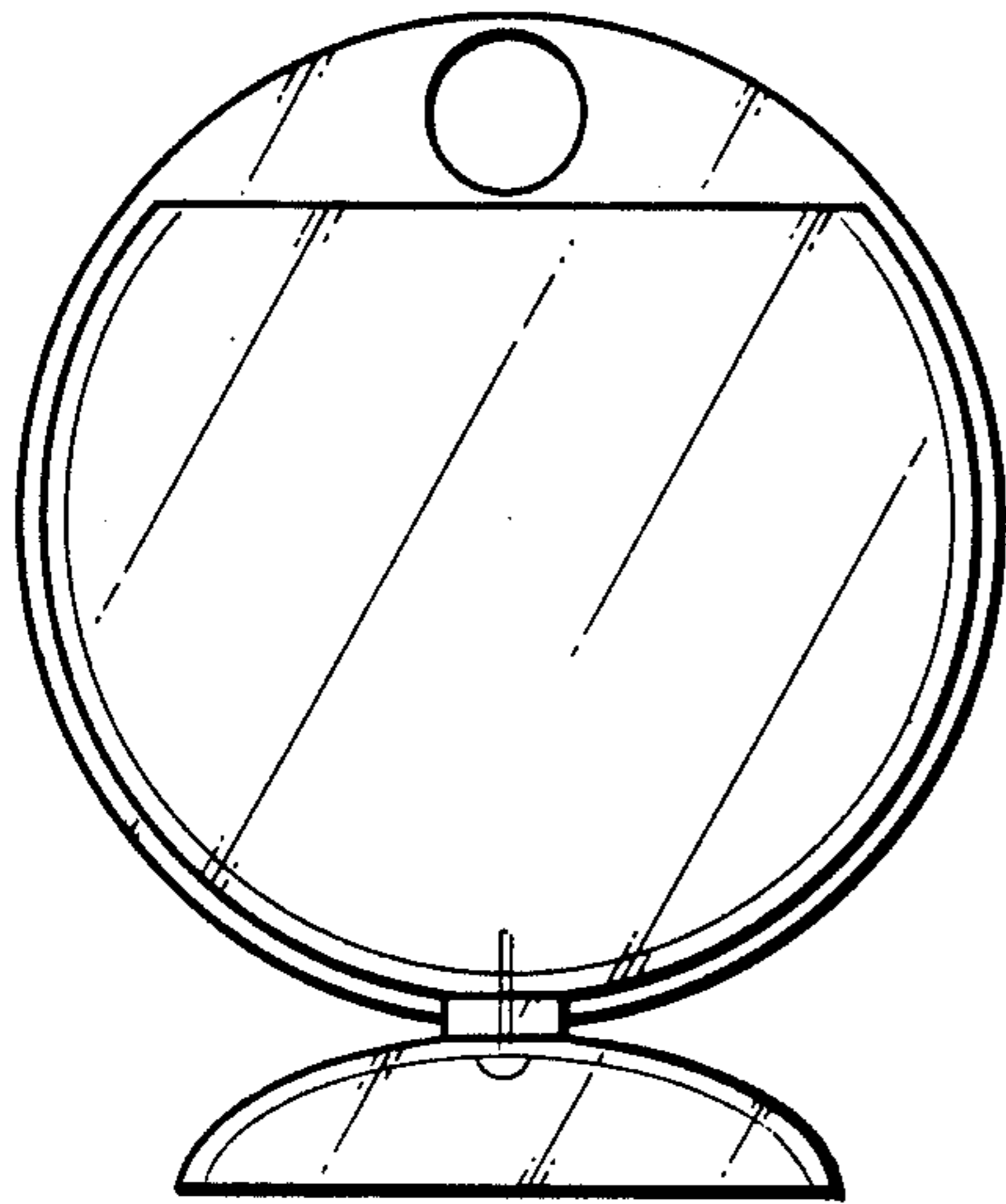


Fig. 2

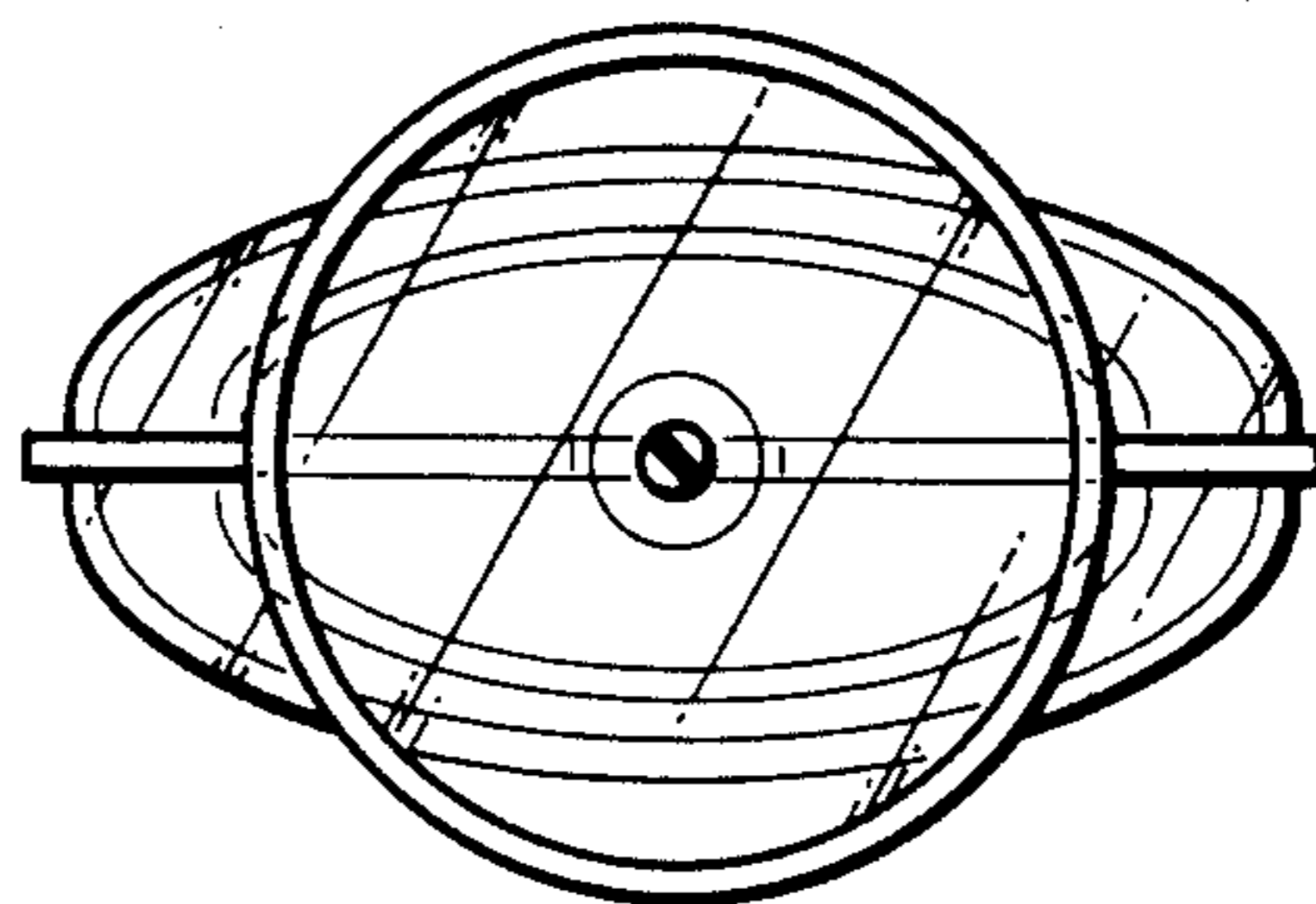
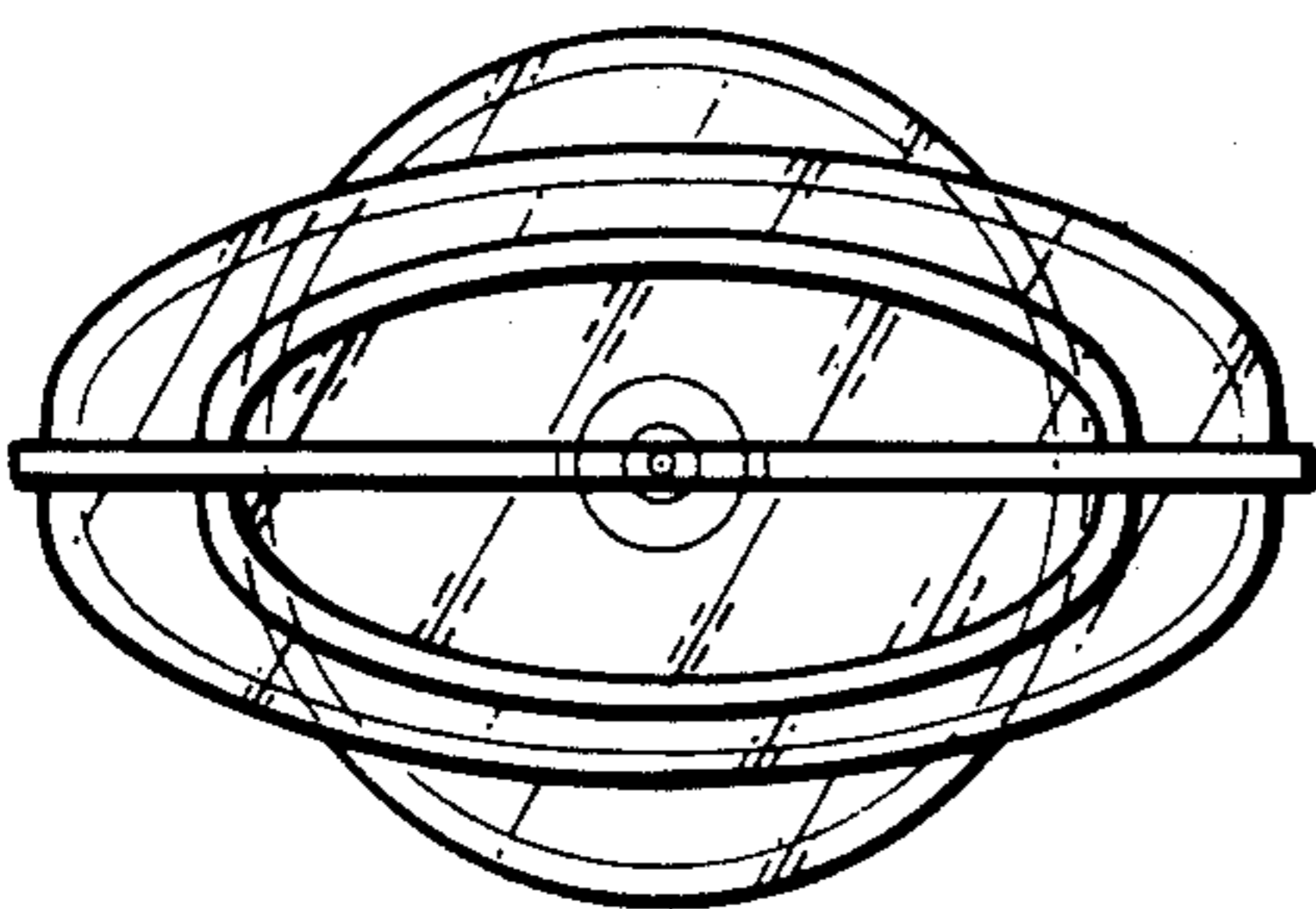
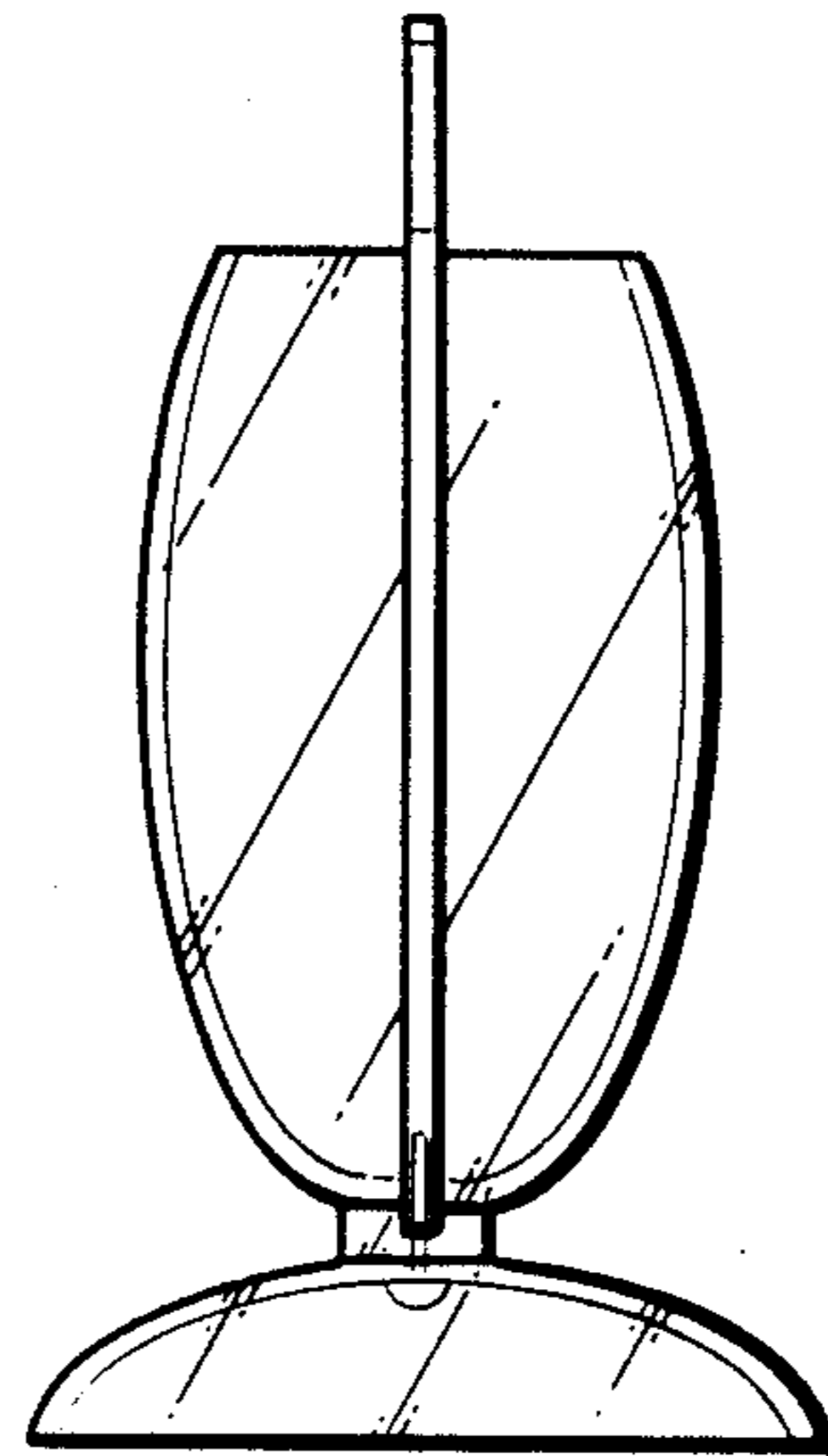


Fig. 3

Fig. 4