

[54] BIRD CAGE

3,785,343 1/1974 Baratta 119/17

[76] Inventor: **Josef H. Voss**, 576 Arnsberg 1, Haus Dreizehneichen, Fed. Rep. of Germany

Primary Examiner—James R. Largen
Attorney, Agent, or Firm—Michael J. Striker

[**] Term: **14 Years**

[57] CLAIM

[21] Appl. No.: **970,436**

The ornamental design for a bird cage, substantially as shown and described.

[22] Filed: **Dec. 18, 1978**

DESCRIPTION

[30] Foreign Application Priority Data

Jul. 15, 1978 [DE] Fed. Rep. of Germany 1596

[51] Int. Cl. **D30—02**

[52] U.S. Cl. **D30/4**

[58] Field of Search **D30/1-5;**
119/17

FIG. 1 is a front elevational view of a bird cage embodying my new design;
FIG. 2 is an elevational view taken from one end thereof;
FIG. 3 is a rear elevational view thereof, with a drawer of the cage shown in partly open position;
FIG. 4 is an elevational view taken from the end opposite that shown in FIG. 2;
FIG. 5 is a top plan view thereof;
FIG. 6 is a bottom plan view thereof;
FIG. 7 is a front elevational view of a modified form of the bird cage shown in FIG. 1;
FIG. 8 is an elevational view taken from one end of FIG. 7;
FIG. 9 is a rear elevational view of FIG. 7; and
FIG. 10 is an elevational view taken from the end opposite that shown in FIG. 8.
It is to be understood that the pattern is continuous throughout the area indicated in broken lines in FIGS. 1 through 4.

[56] References Cited

U.S. PATENT DOCUMENTS

D. 67,602	6/1925	Lion	D30/4
D. 79,081	7/1929	Hoefler	D30/4
D. 103,881	3/1937	Miller	D30/4
D. 144,089	3/1946	Zaha et al.	D30/4
166,596	8/1875	Edwards	119/17
250,600	12/1881	Taft	119/17
309,338	12/1884	Drayton	119/17
2,864,335	12/1958	Yellin	119/17
3,683,857	8/1972	Yellin	119/17

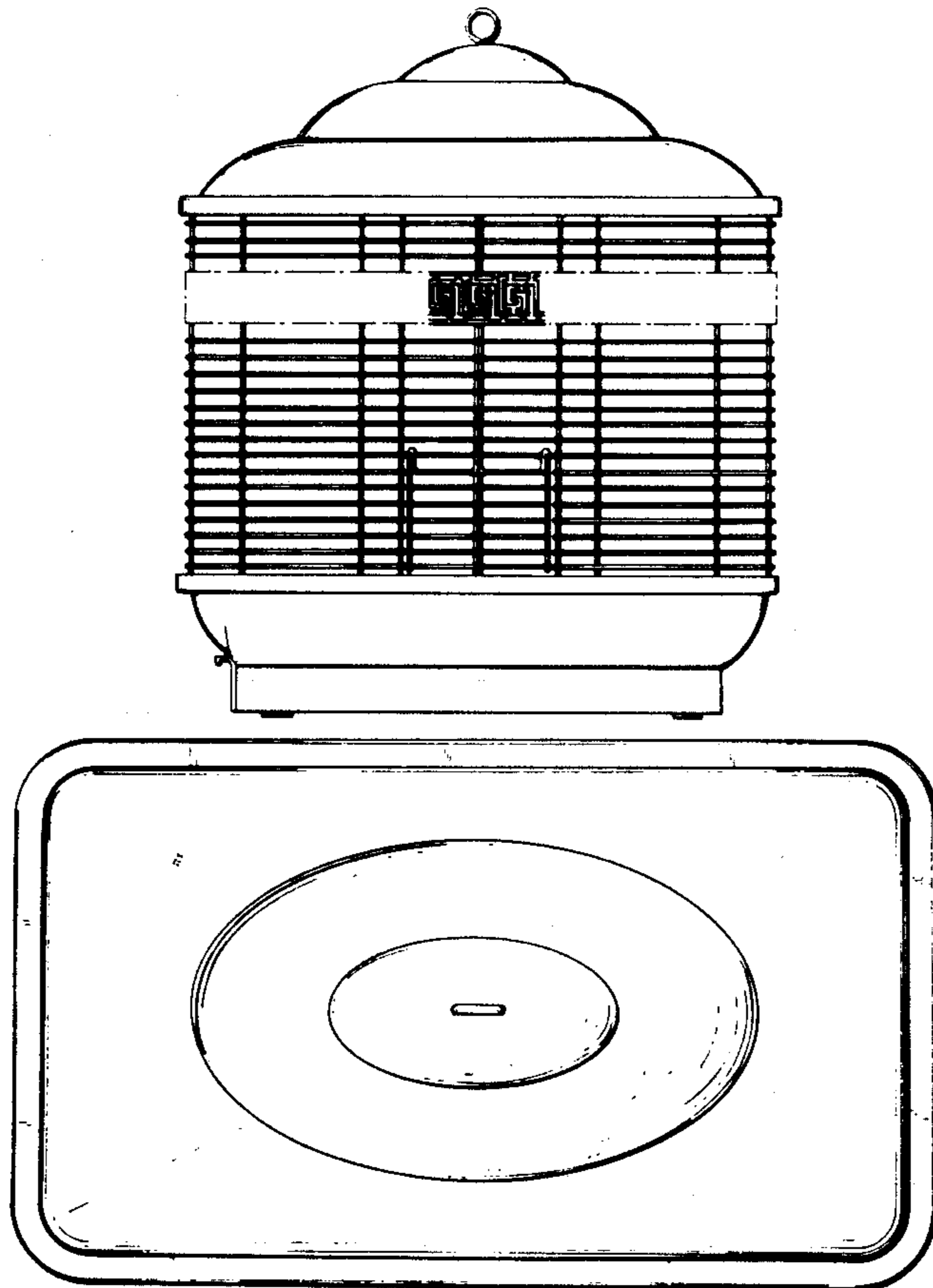


FIG. 1

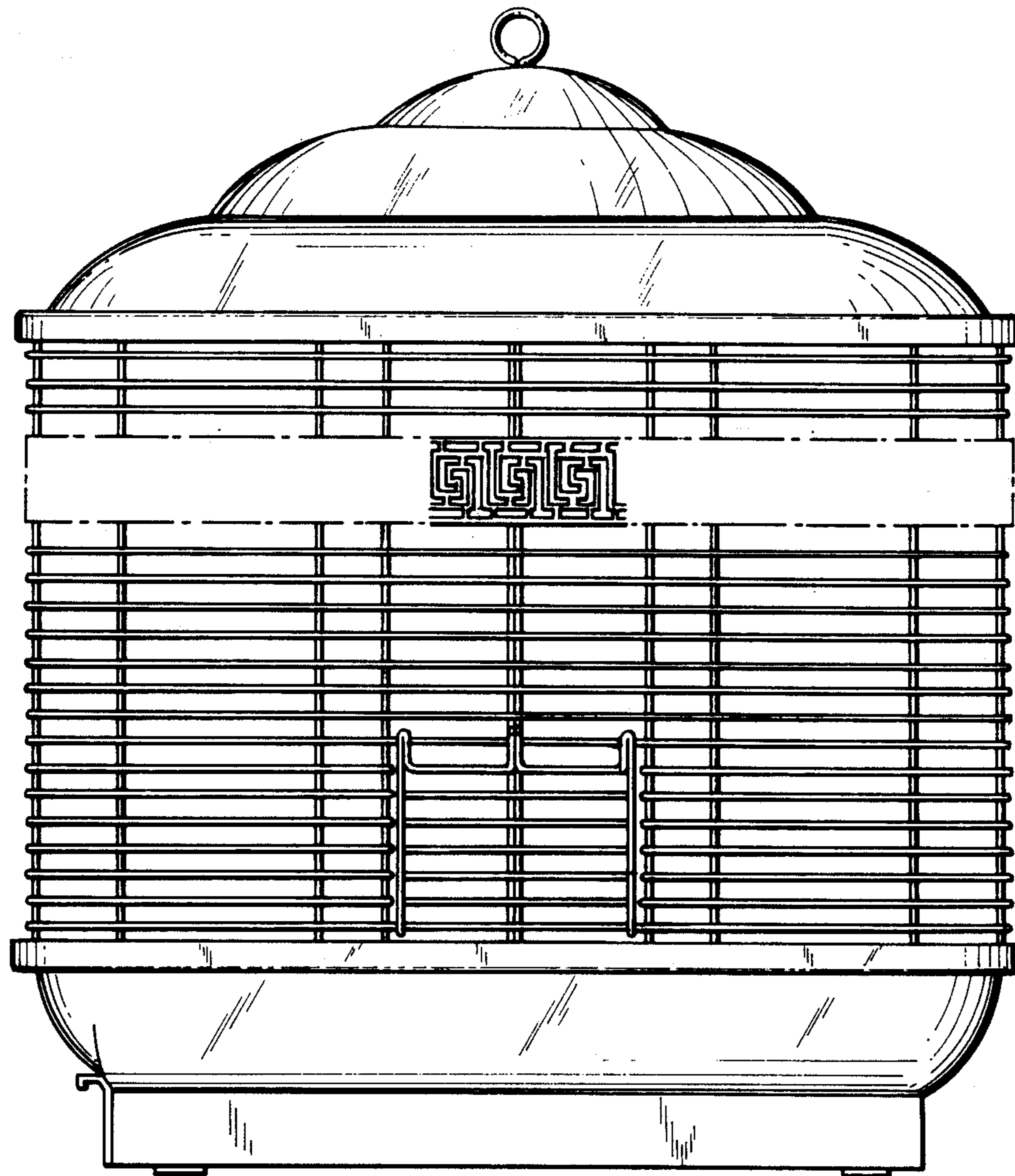


FIG. 2

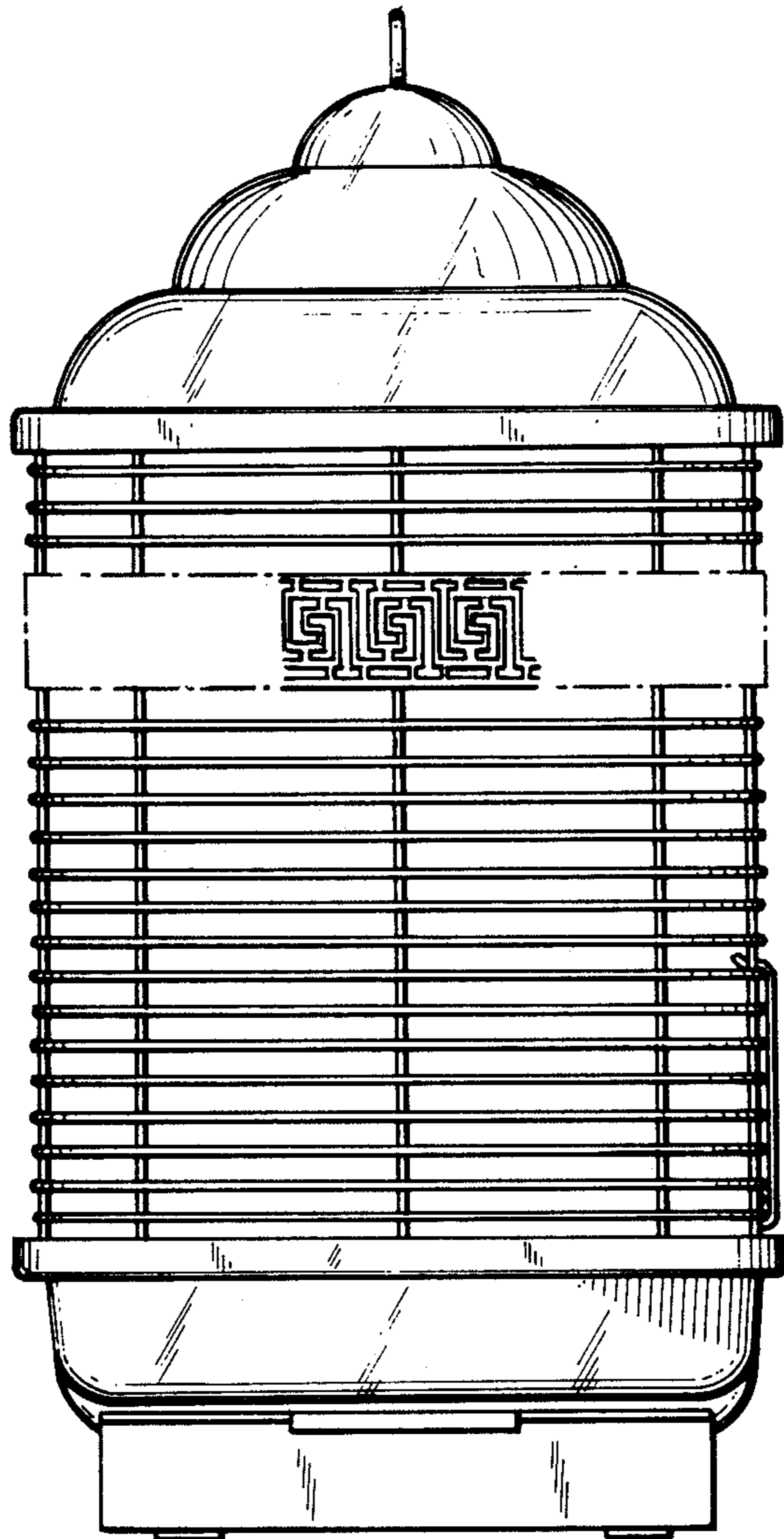


FIG. 3

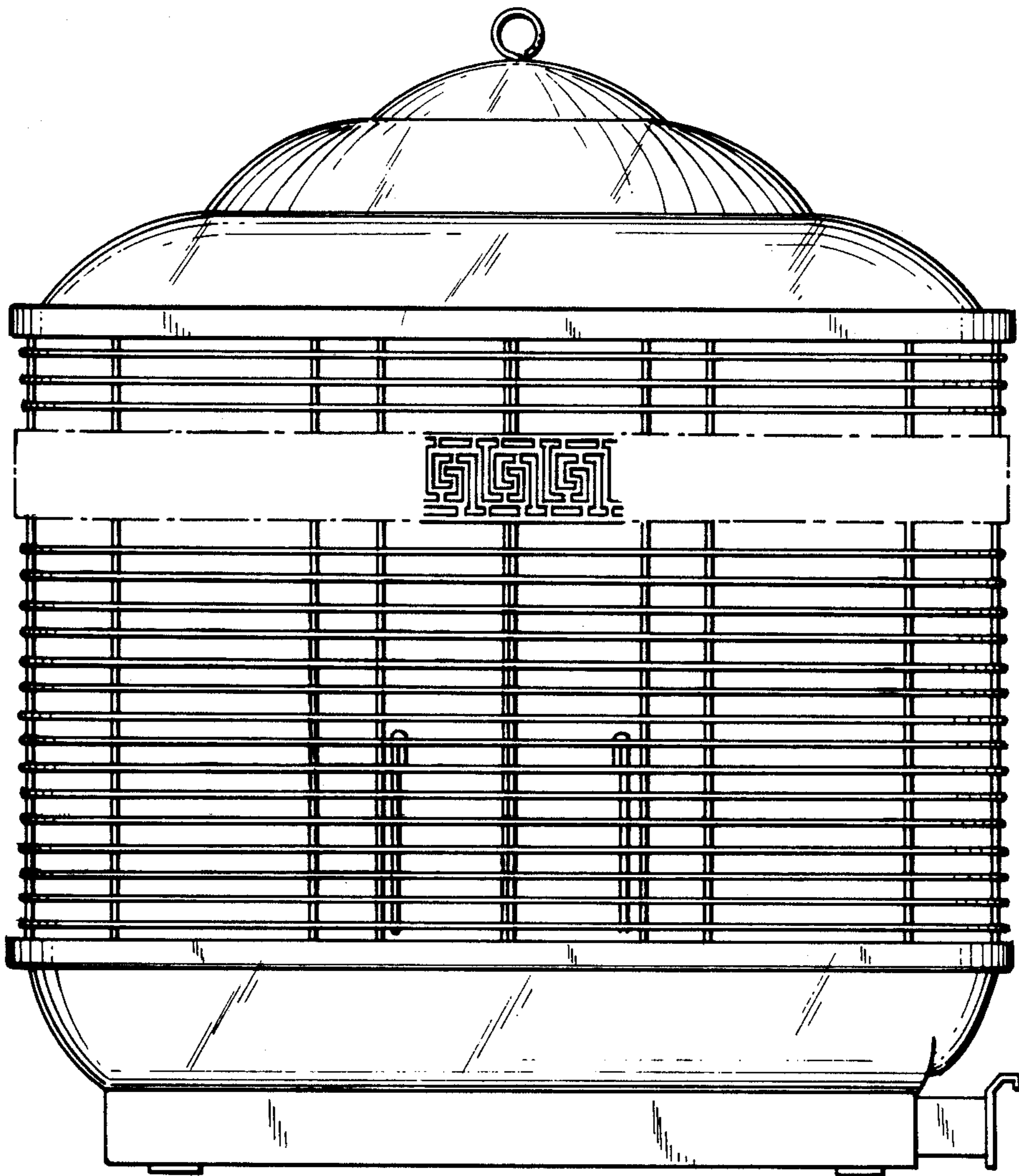


FIG. 4

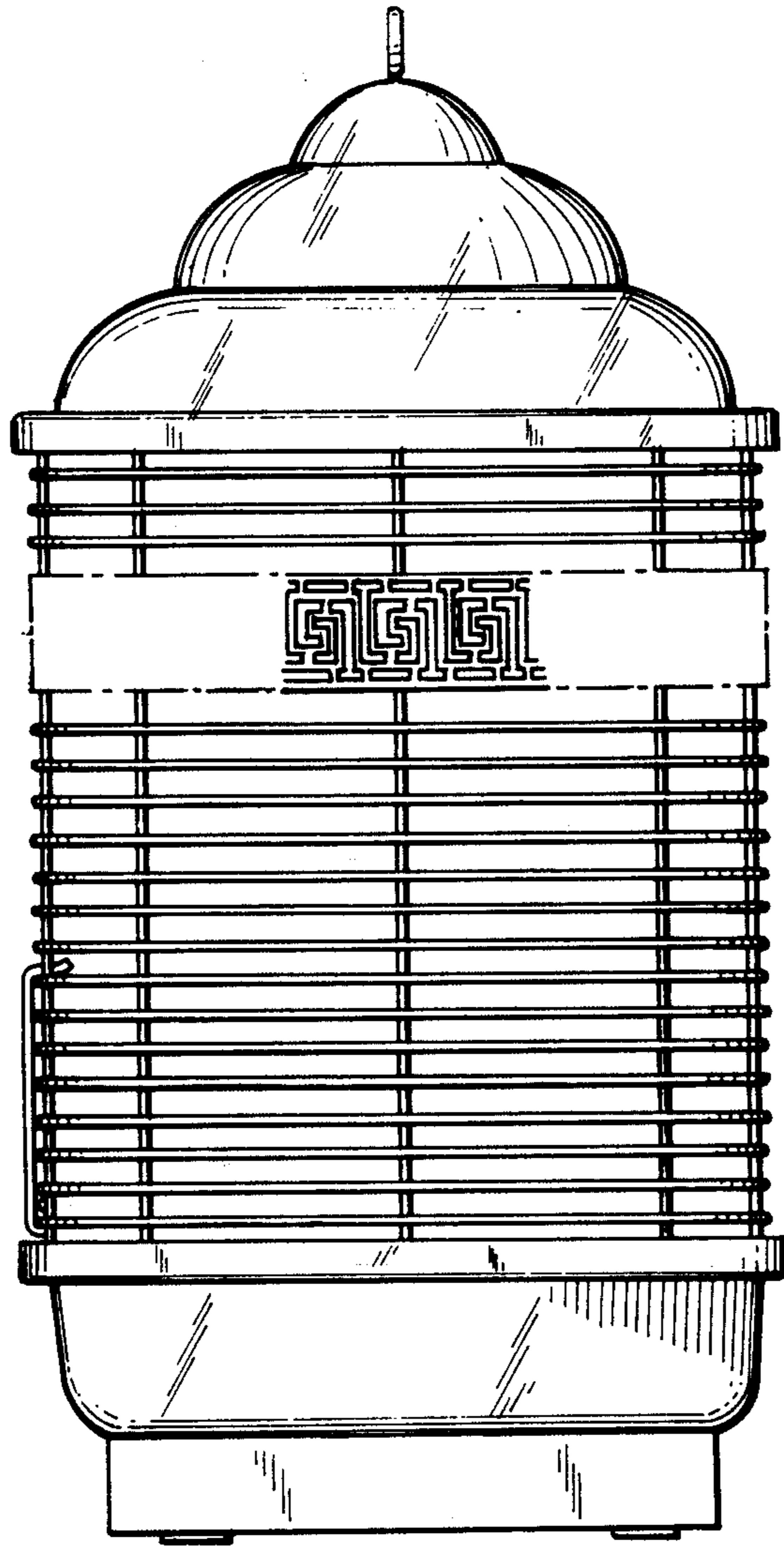


FIG. 5

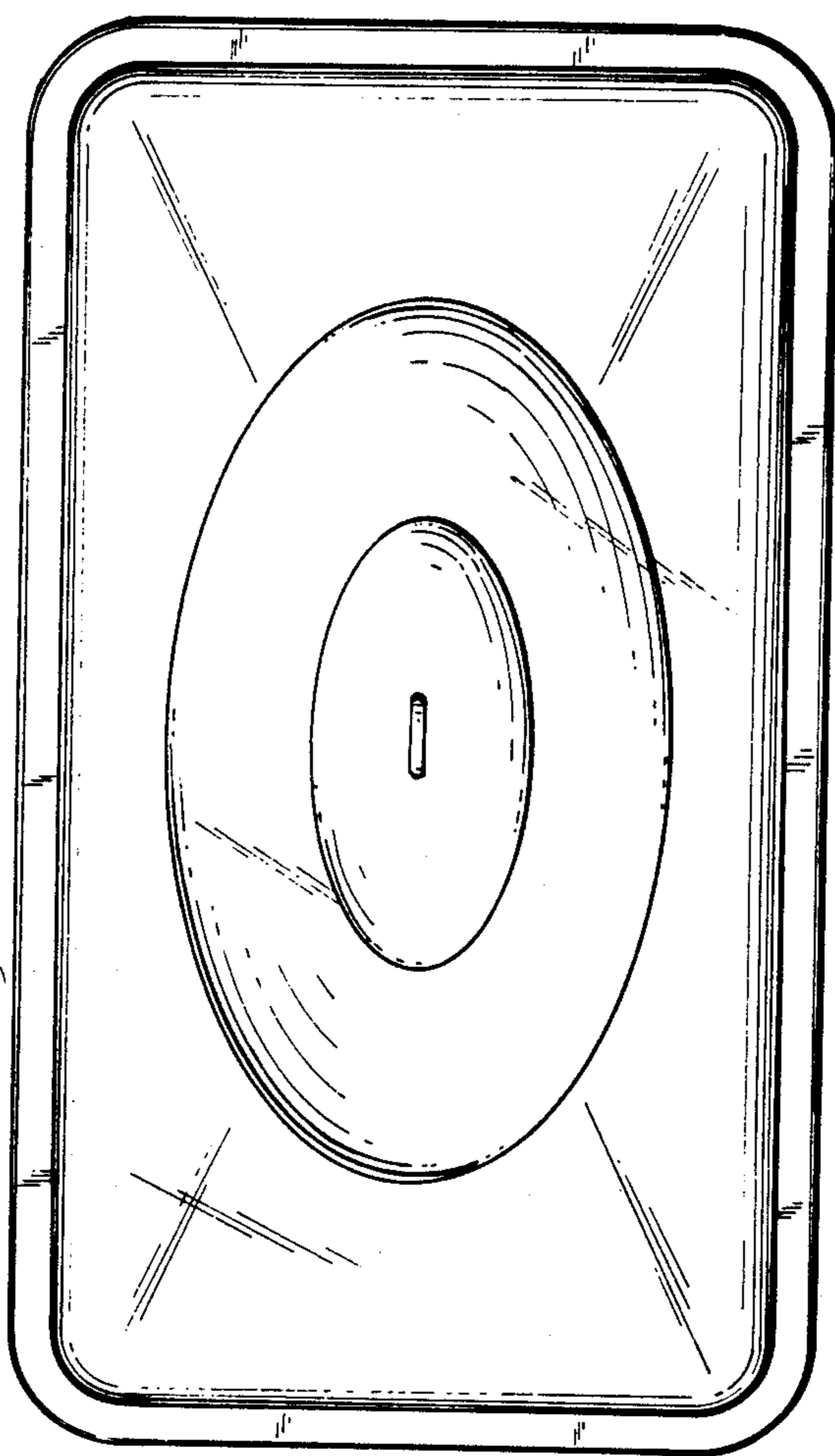
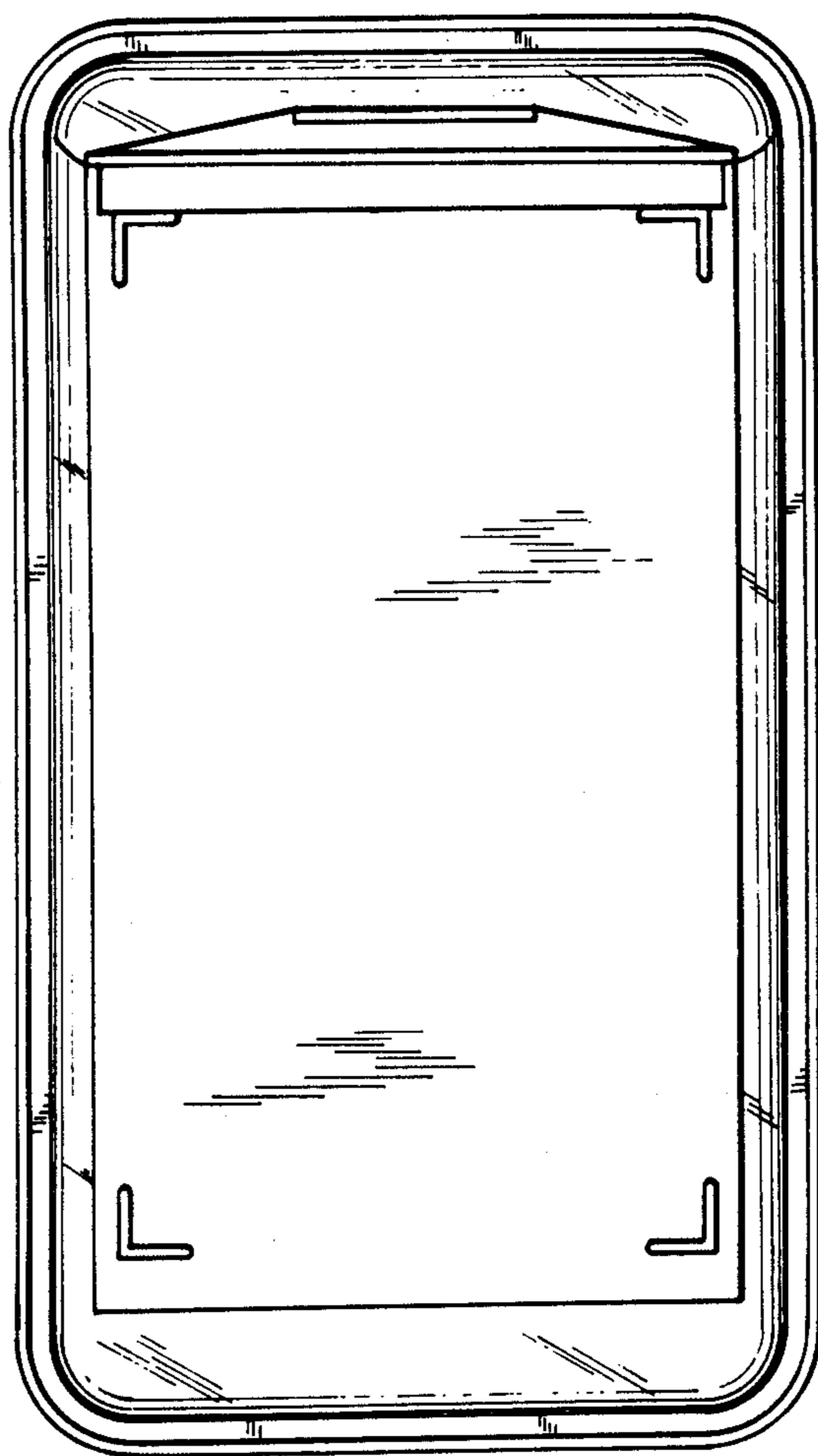


FIG. 6



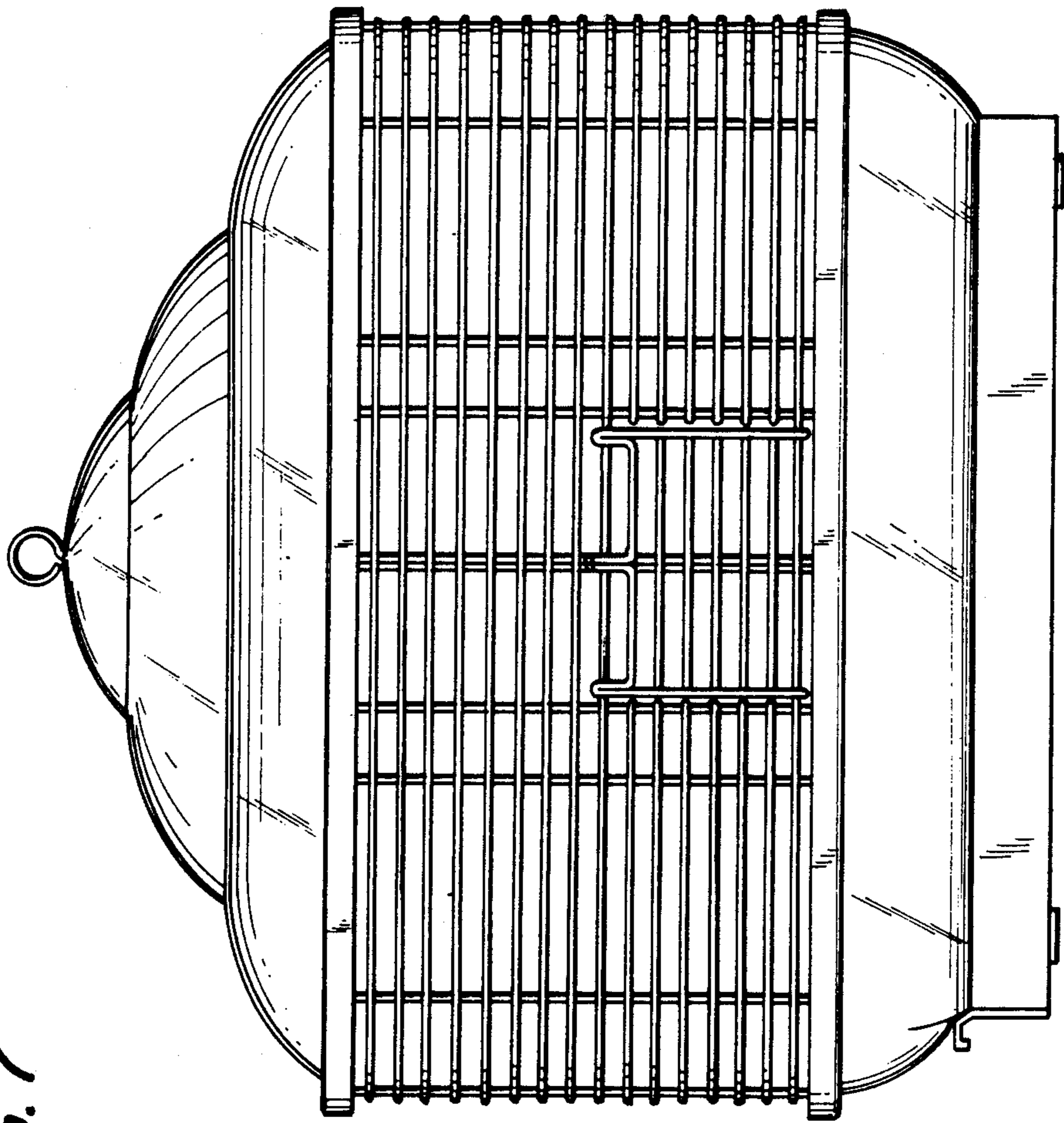
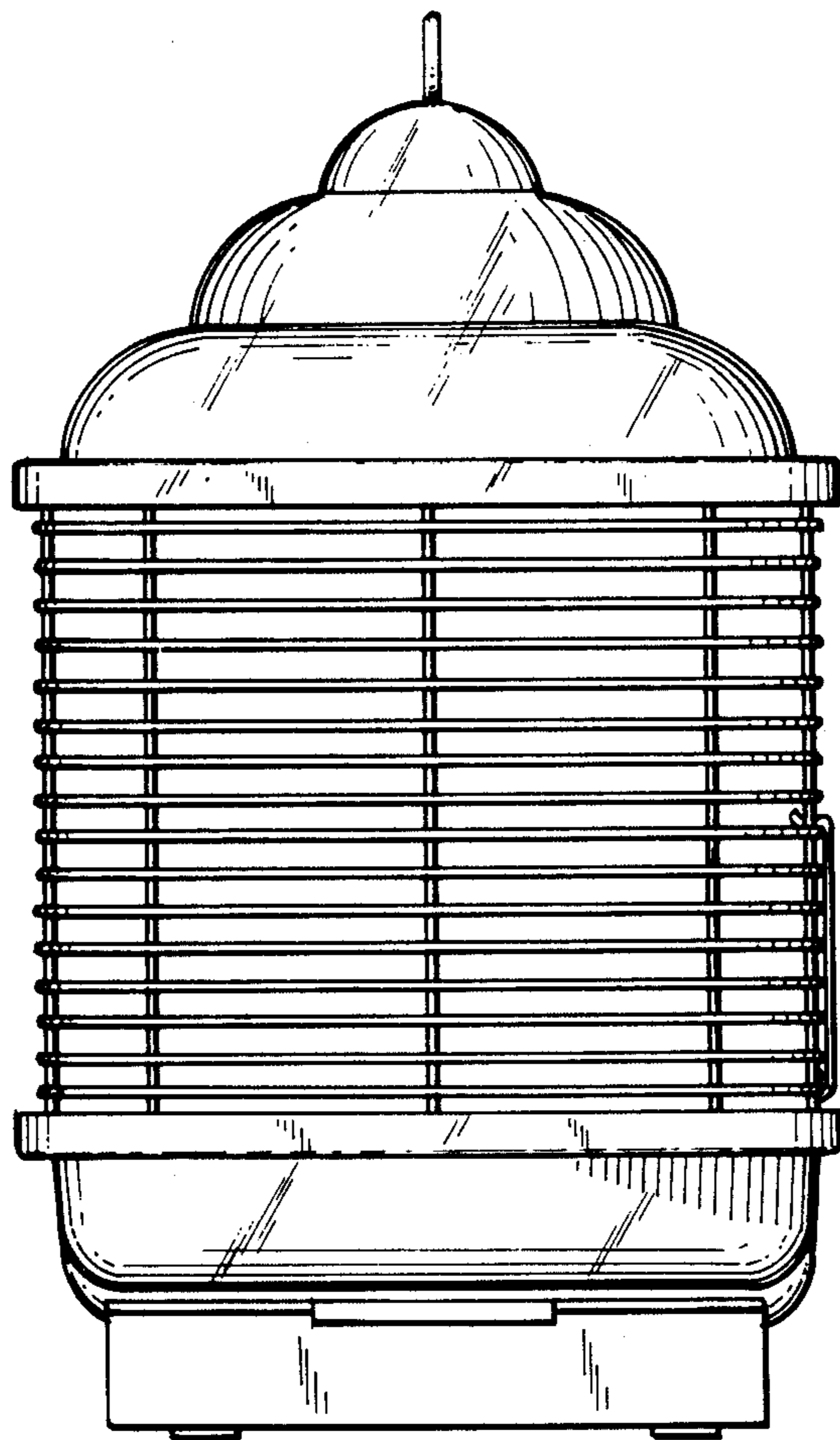


FIG. 7

FIG. 8



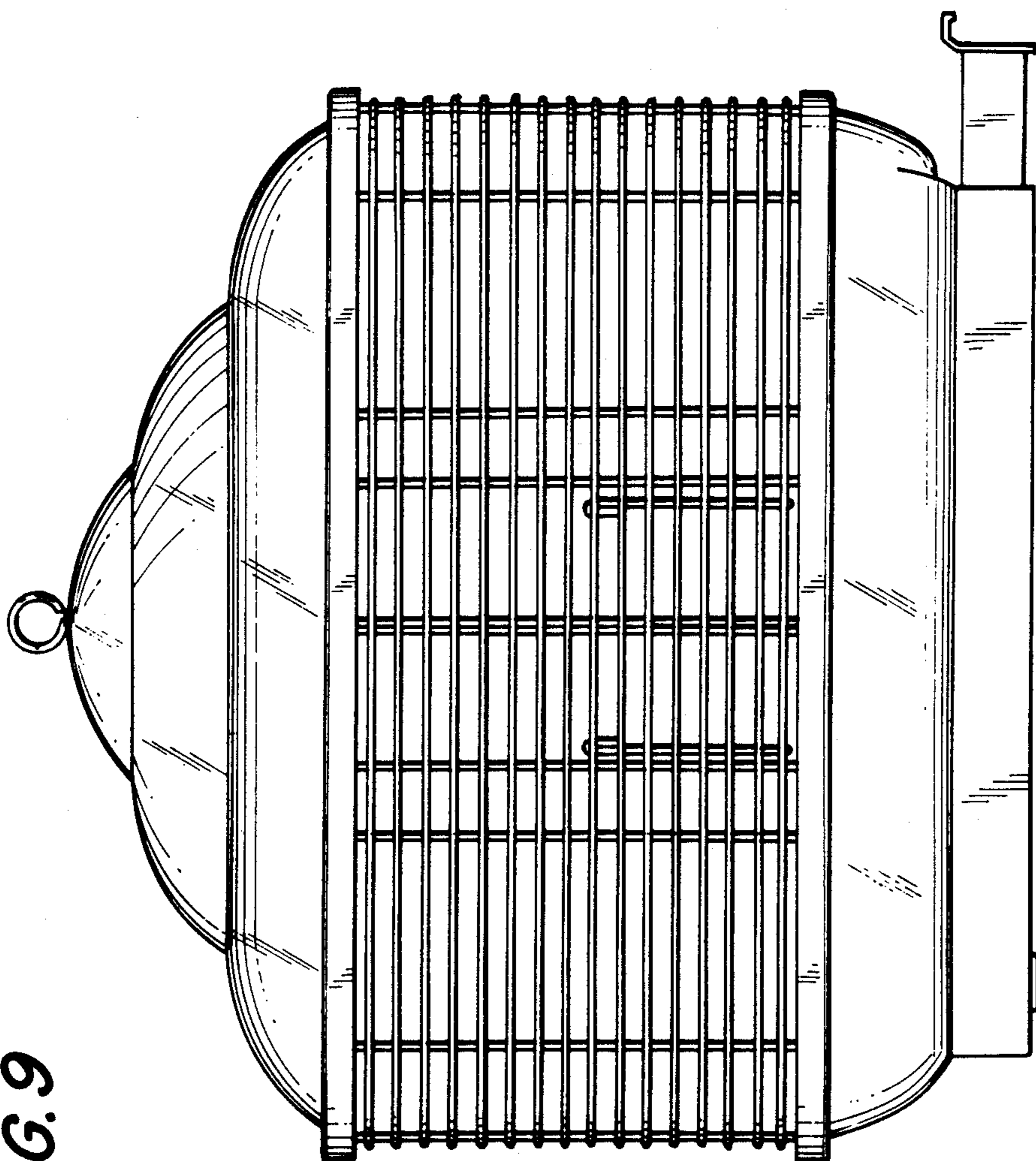


FIG. 9

FIG. 10

