

[54] DISPENSER OF AIR-FRESHENING VAPORS

[75] Inventors: Ian Butcher, Paris; Bernard Rabussier, Avanton; Philippe Lecomte, Plaisance Vouillé, all of France

[73] Assignee: Airwick Industries, Inc., Carlstadt, N.J.

[**] Term: 14 Years

[21] Appl. No.: 922,470

[22] Filed: Jul. 6, 1978

[30] Foreign Application Priority Data

Jan. 6, 1978 [CH] Switzerland 109,639/78

[51] Int. Cl. D23-04

[52] U.S. Cl. D23/150

[58] Field of Search D23/145-150; 239/44-60

[56] References Cited

U.S. PATENT DOCUMENTS

- D. 164,983 10/1951 Crook D23/150
- D. 212,753 11/1968 Tughan D23/150
- D. 234,606 3/1975 Gamble D23/150
- D. 238,674 2/1976 Luedthe et al. D23/150

- D. 243,017 1/1977 Fossella D23/150
- D. 244,775 6/1977 Wilson D23/150
- D. 246,185 10/1977 Bradburn D23/150
- D. 249,157 8/1978 Stoy D23/150
- D. 249,277 9/1978 Balland et al. D23/150

FOREIGN PATENT DOCUMENTS

1398071 6/1975 United Kingdom 239/55

Primary Examiner—James R. Largen
Attorney, Agent, or Firm—Harry Falber

[57] CLAIM

The ornamental design for dispenser of air-freshening vapors, as shown.

DESCRIPTION

FIG. 1 is a side elevational view of a dispenser of air-freshening vapors showing our new design;
 FIG. 2 is another side elevational view thereof, showing the dispenser in an upright position;
 FIG. 3 is a front elevational view taken on the plane indicated by arrow 3 on FIG. 2;
 FIG. 4 is a rear elevational view taken on the plane indicated by arrow 4 on FIG. 2;
 FIG. 5 is a bottom plan view taken on the plane indicated by arrow 5 on FIG. 2; and
 FIG. 6 is another front elevational view taken on the plane indicated by arrow 6 on FIG. 2.

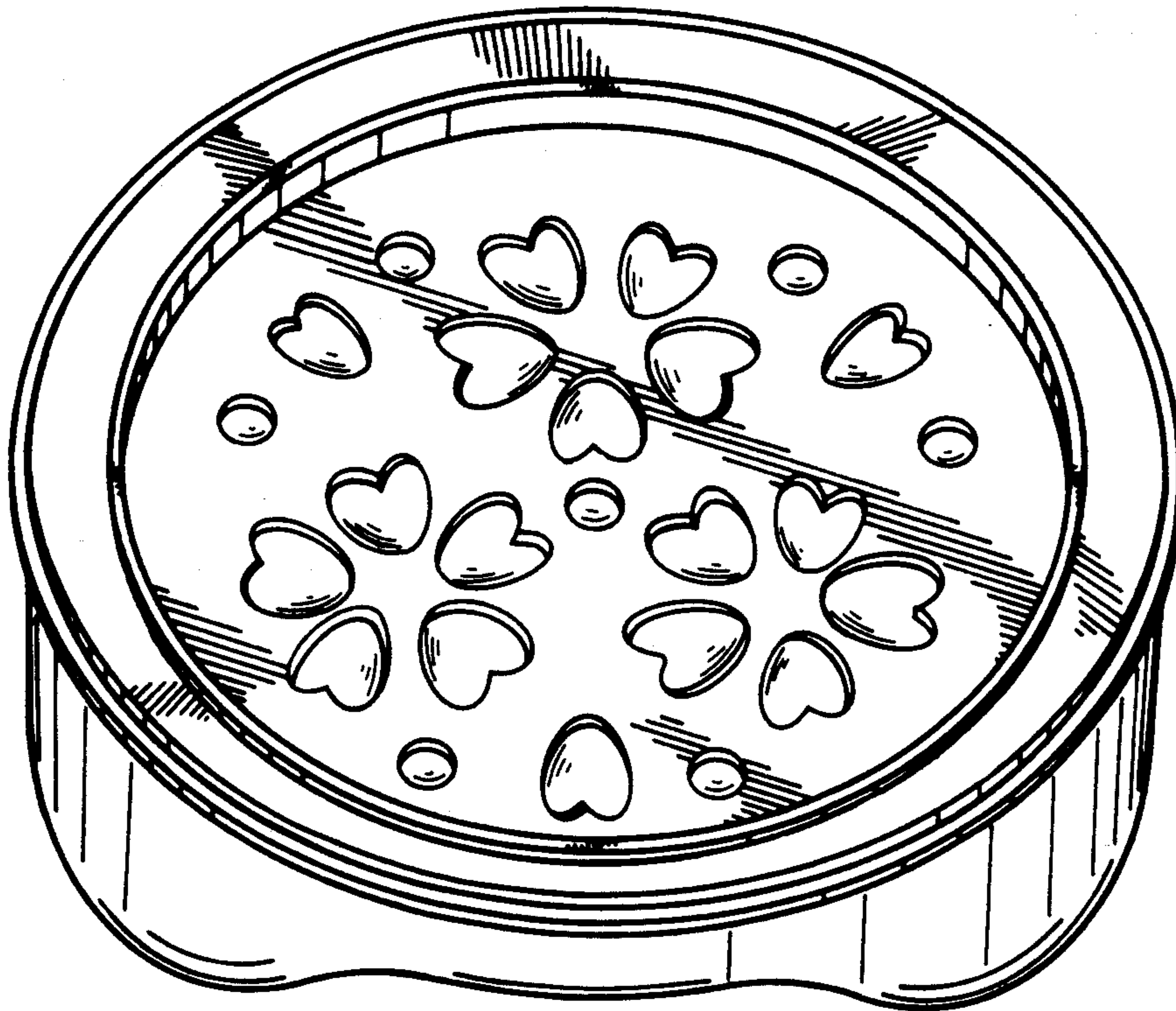


Fig.1

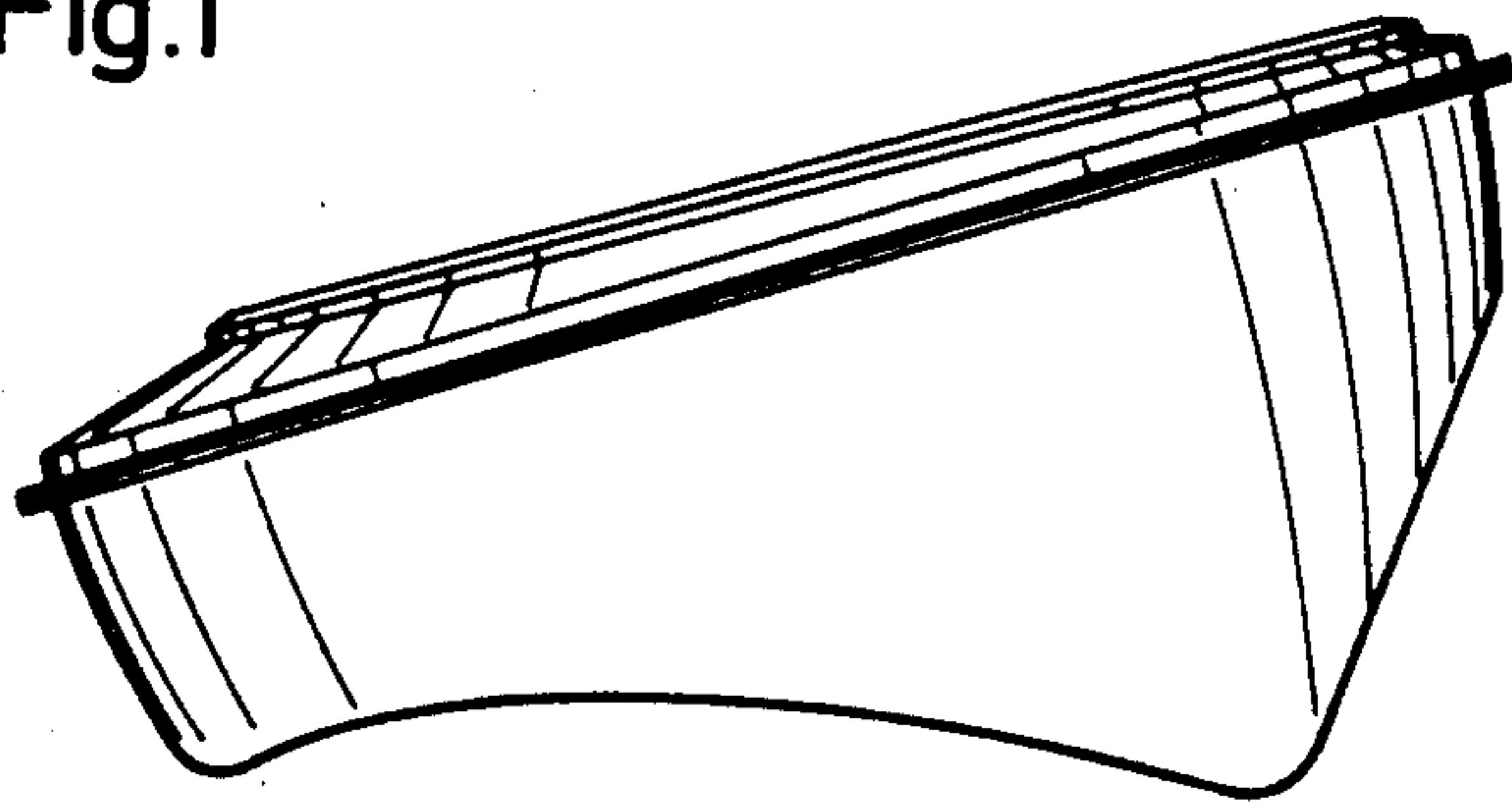


Fig.2

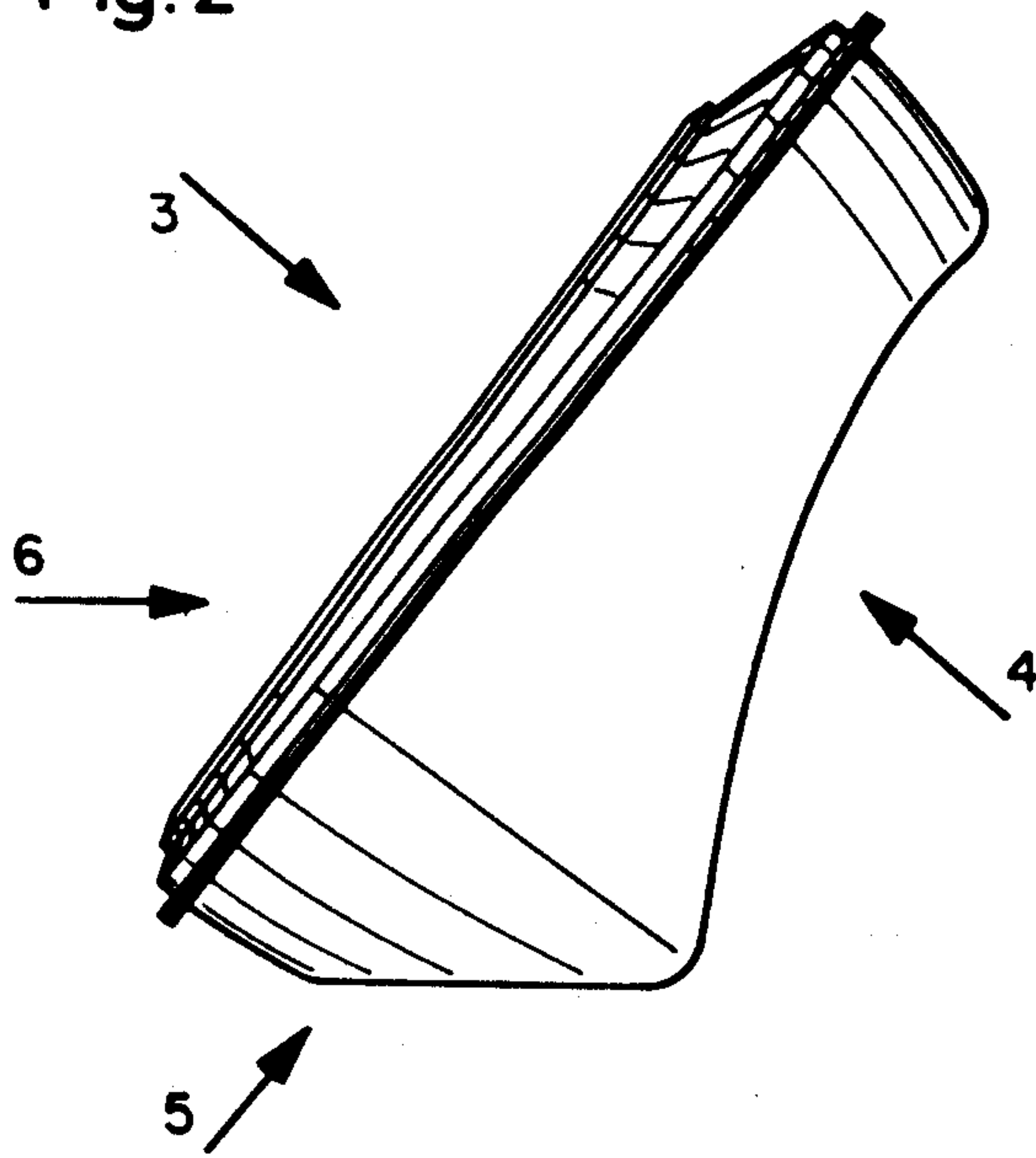


Fig.3

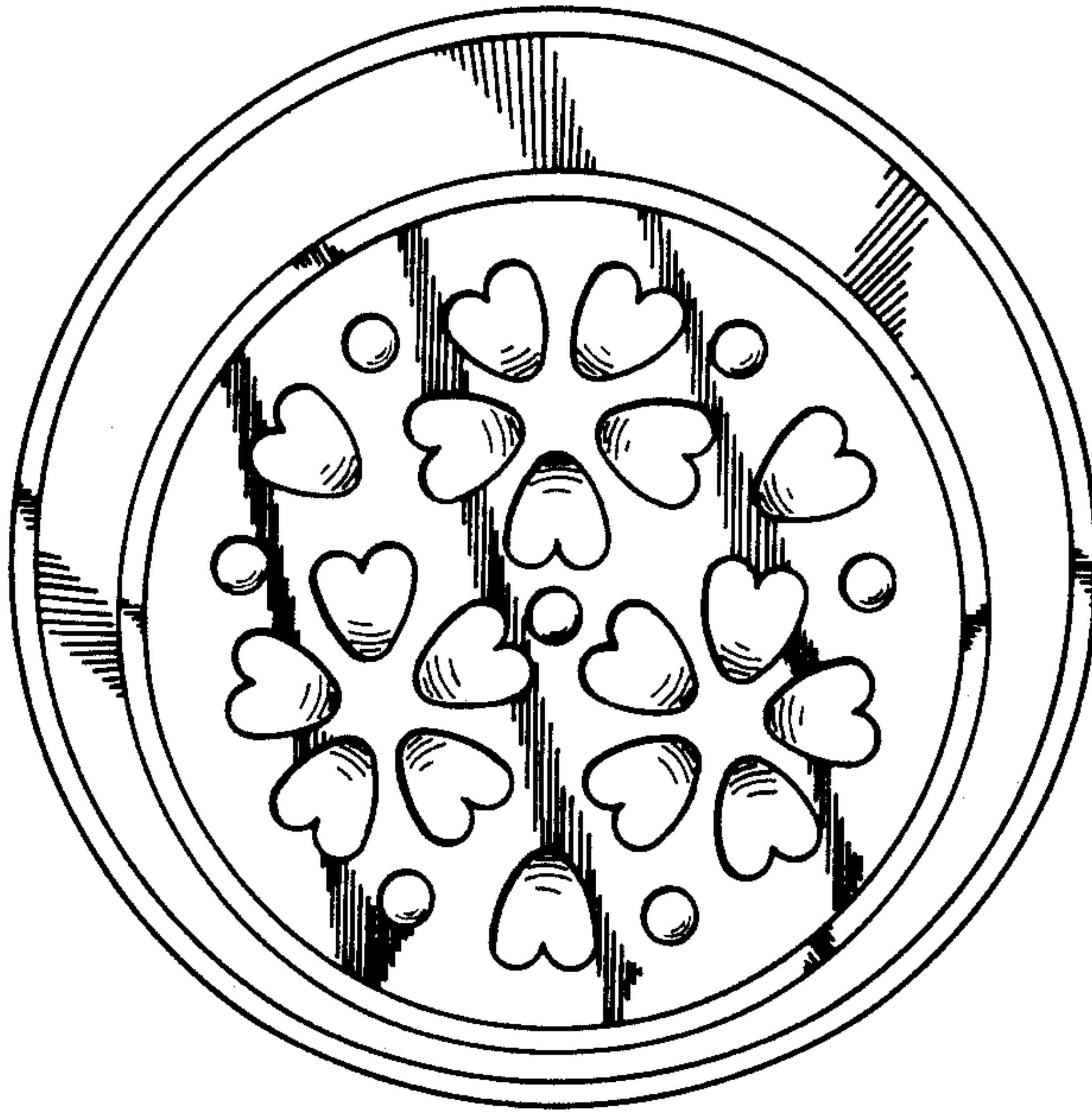


Fig.4

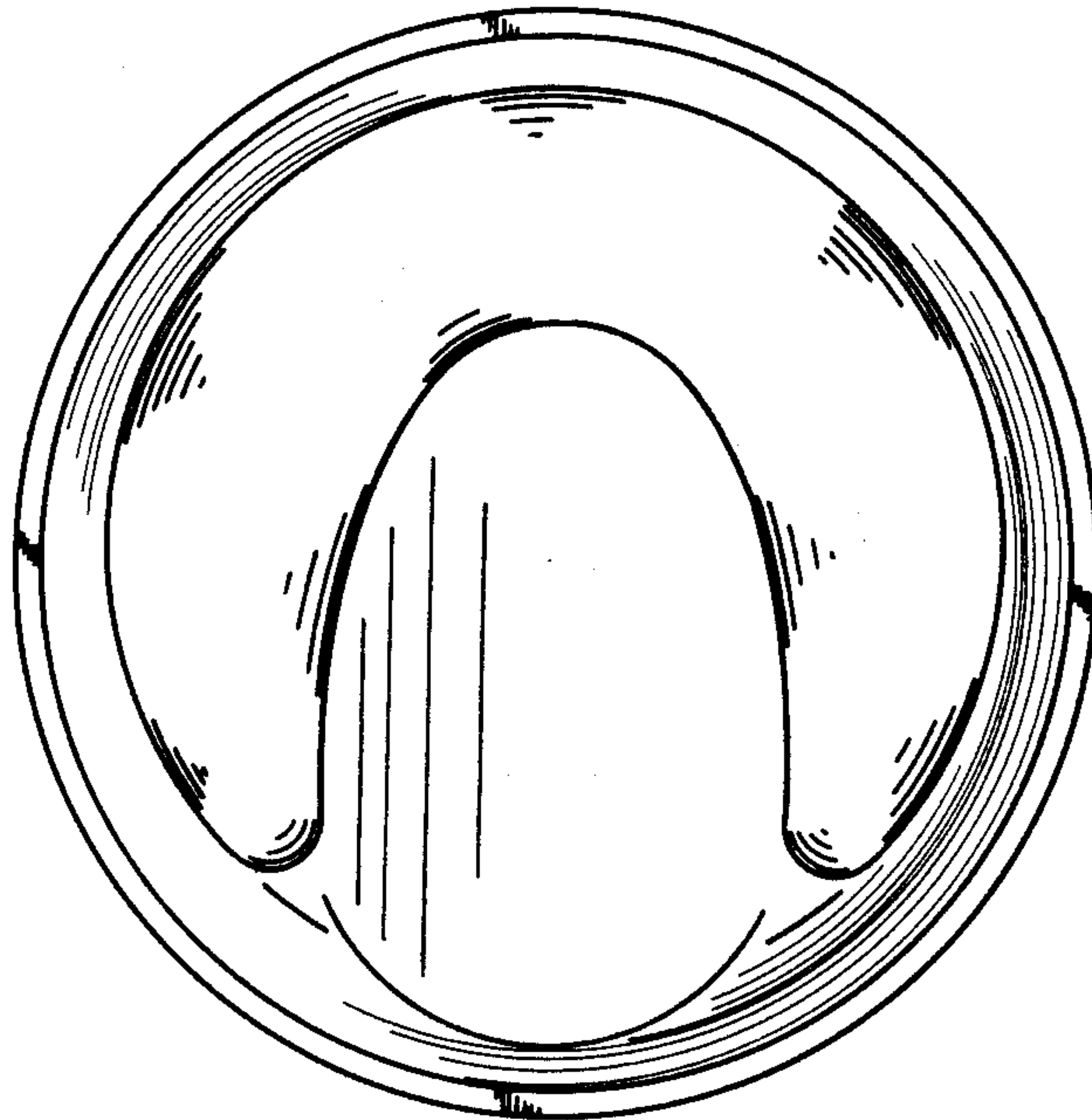


Fig.5

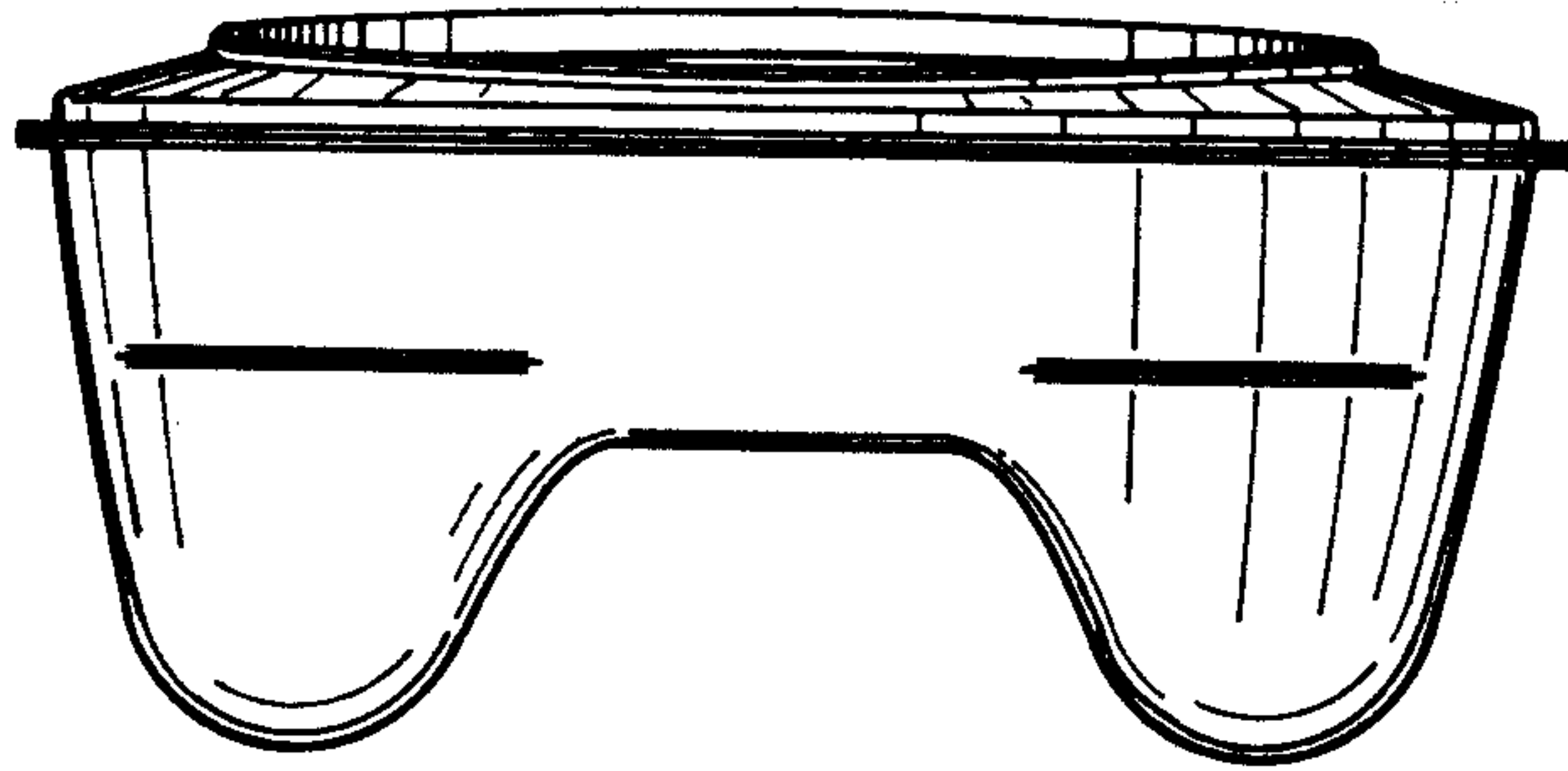


Fig.6

