

[54] ADJUSTABLE FISHING POLE HOLDER

[76] Inventor: Robert G. Nelson, 23206 U.S. 20, South Bend, Ind. 46628

[**] Term: 14 Years

[21] Appl. No.: 857,872

[22] Filed: Dec. 5, 1977

[51] Int. Cl. D22-05

[52] U.S. Cl. D22/13

[58] Field of Search 248/42; 43/21.2, 22, 43/23, 25; D22/13, 14

[56] References Cited

U.S. PATENT DOCUMENTS

- D. 219,971 2/1971 Bennett et al. D22/13
- D. 230,356 2/1974 Nelson D22/13

- D. 230,730 3/1974 Ingram D22/13
- D. 233,036 10/1974 Hoover, Jr. D22/13

Primary Examiner—A. Hugo Word
Attorney, Agent, or Firm—Marmaduke A. Hobbs

[57] CLAIM

The ornamental design for an adjustable fishing pole holder, substantially as shown and described.

DESCRIPTION

FIG. 1 is a perspective view of a fishing pole holder embodying the present design;
 FIG. 2 is a partially exploded view of the fishing pole holder shown in FIG. 1;
 FIG. 3 is a side elevational view;
 FIG. 4 is a top plan view;
 FIG. 5 is a rear elevational view;
 FIG. 6 is a front elevational view; and
 FIG. 7 is a bottom plan view.

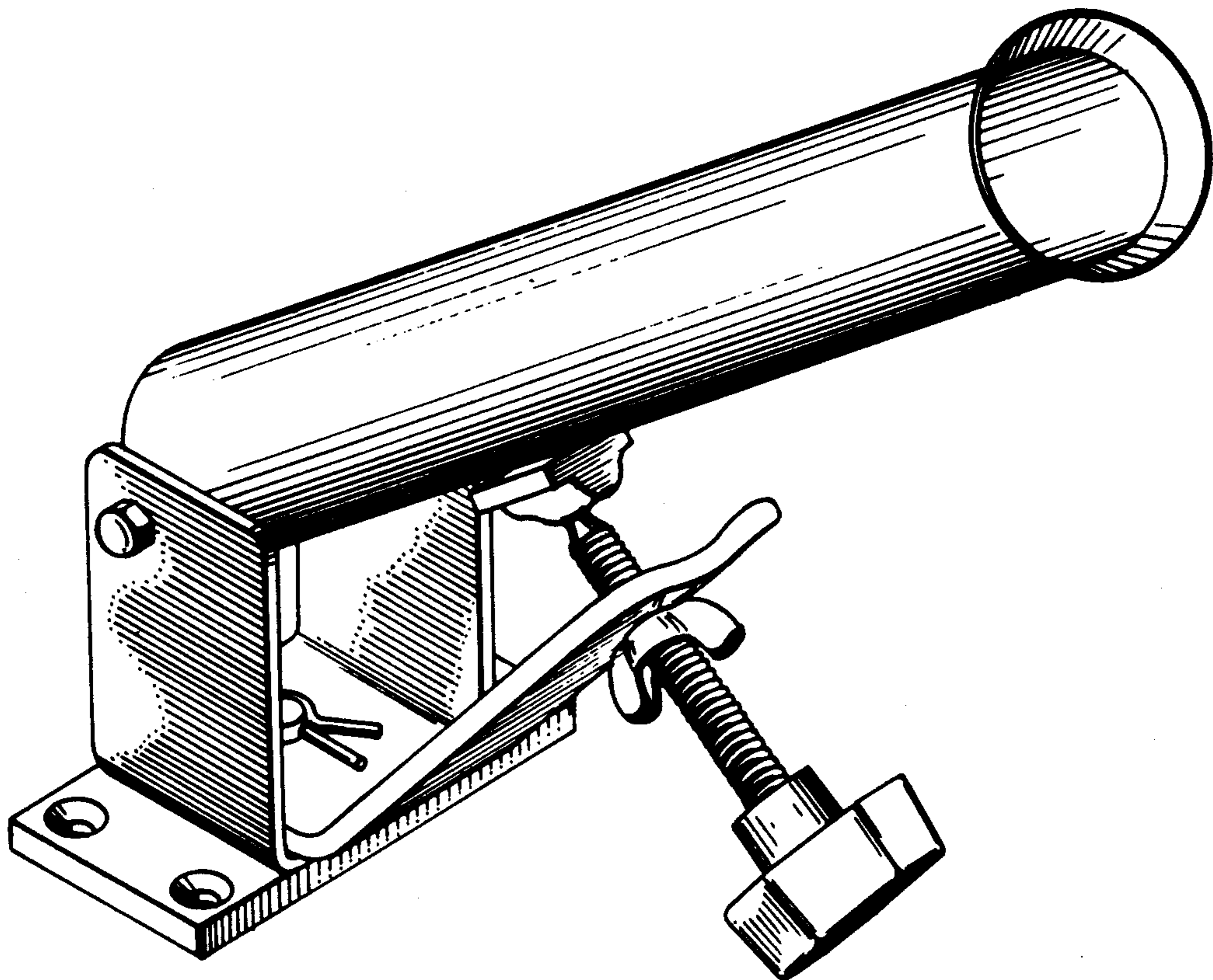


Fig. 1

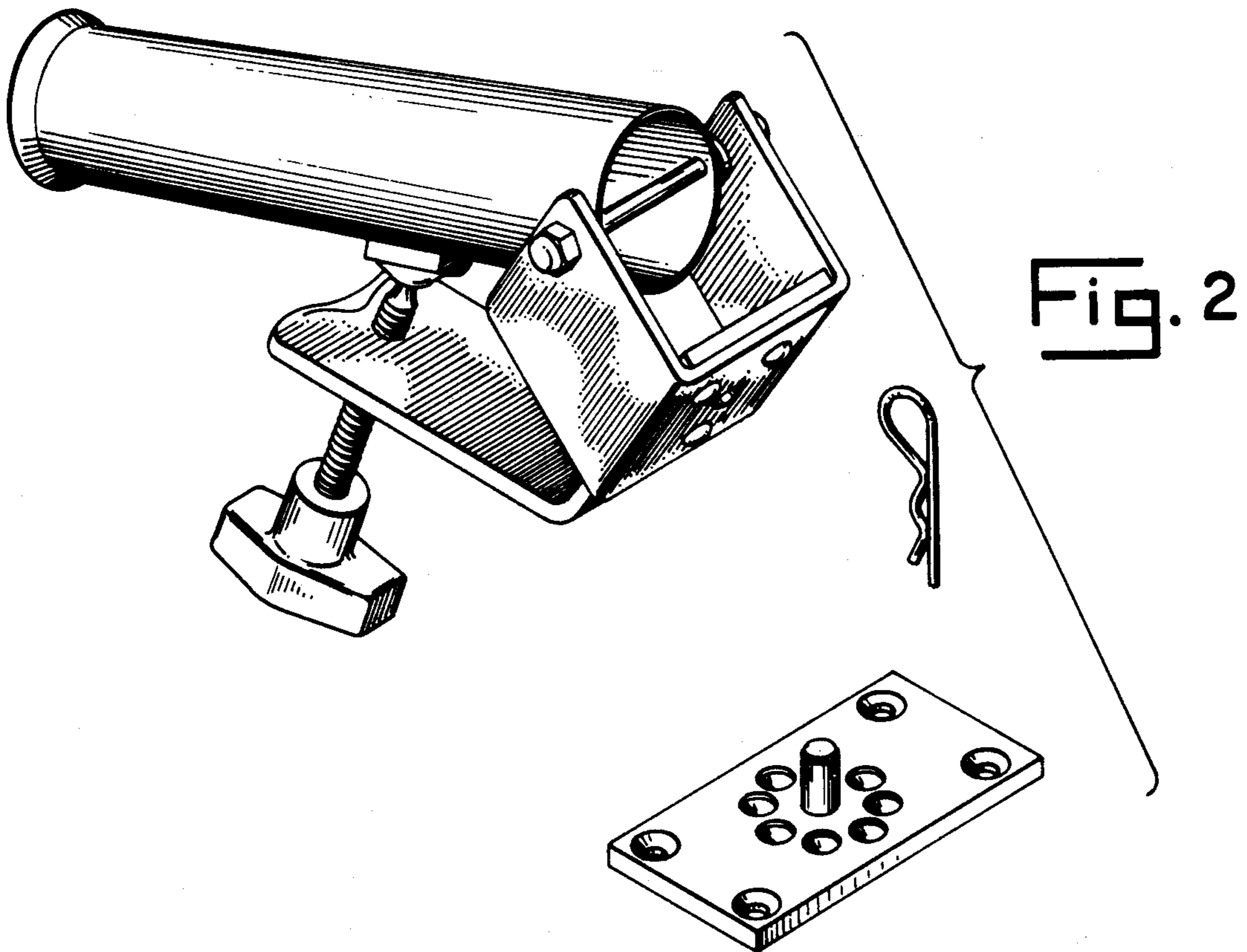
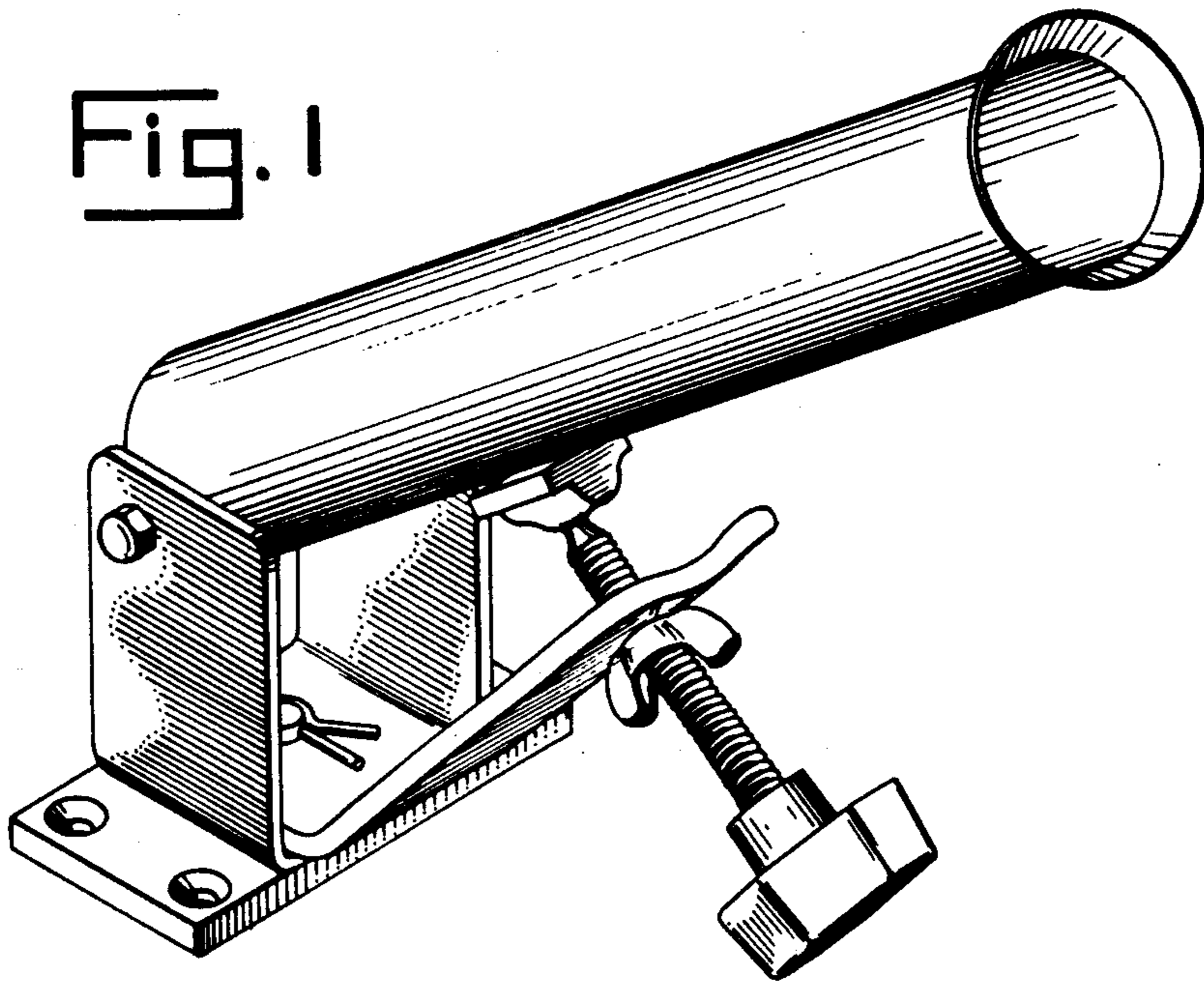


Fig. 3

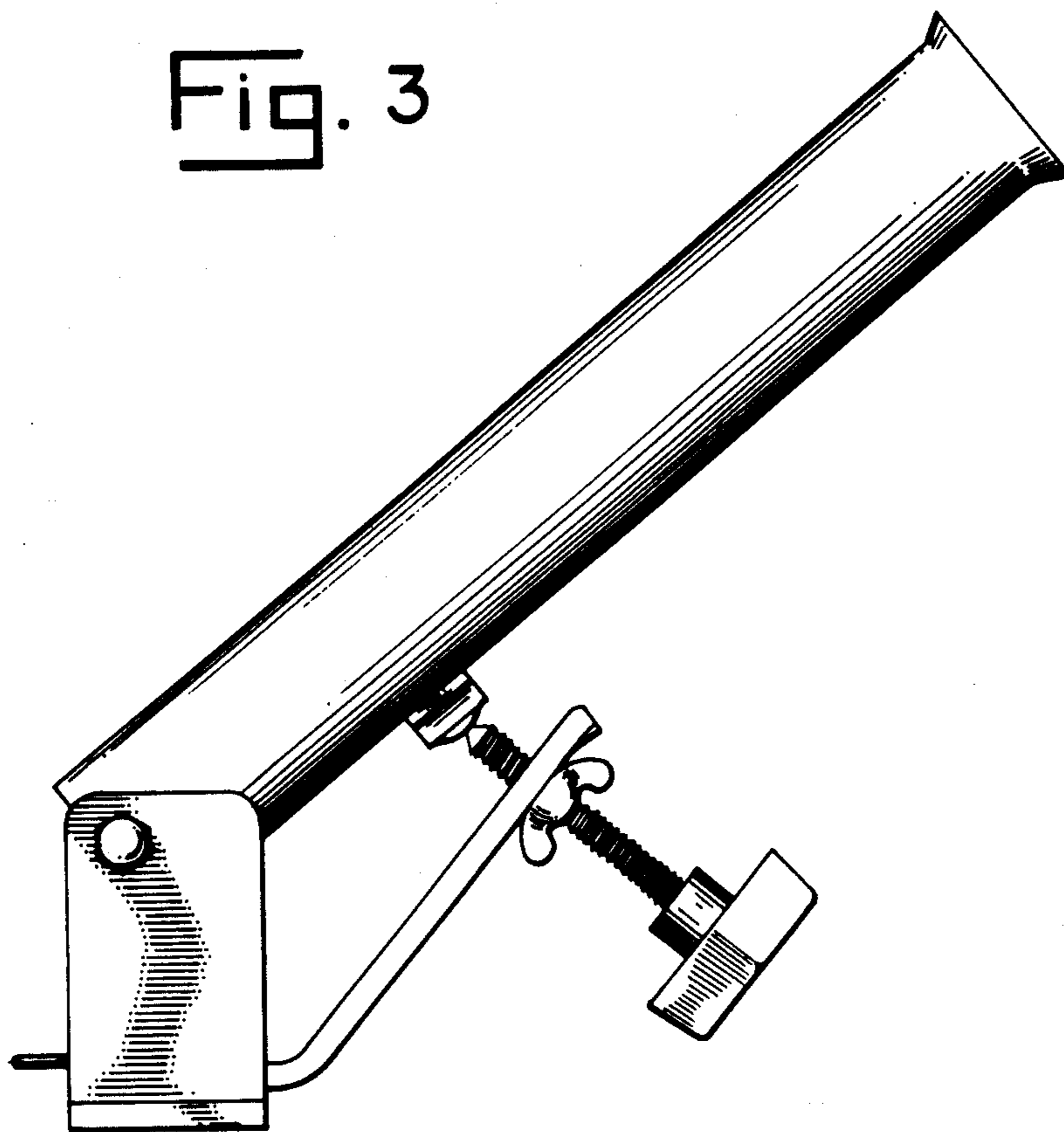


Fig. 4

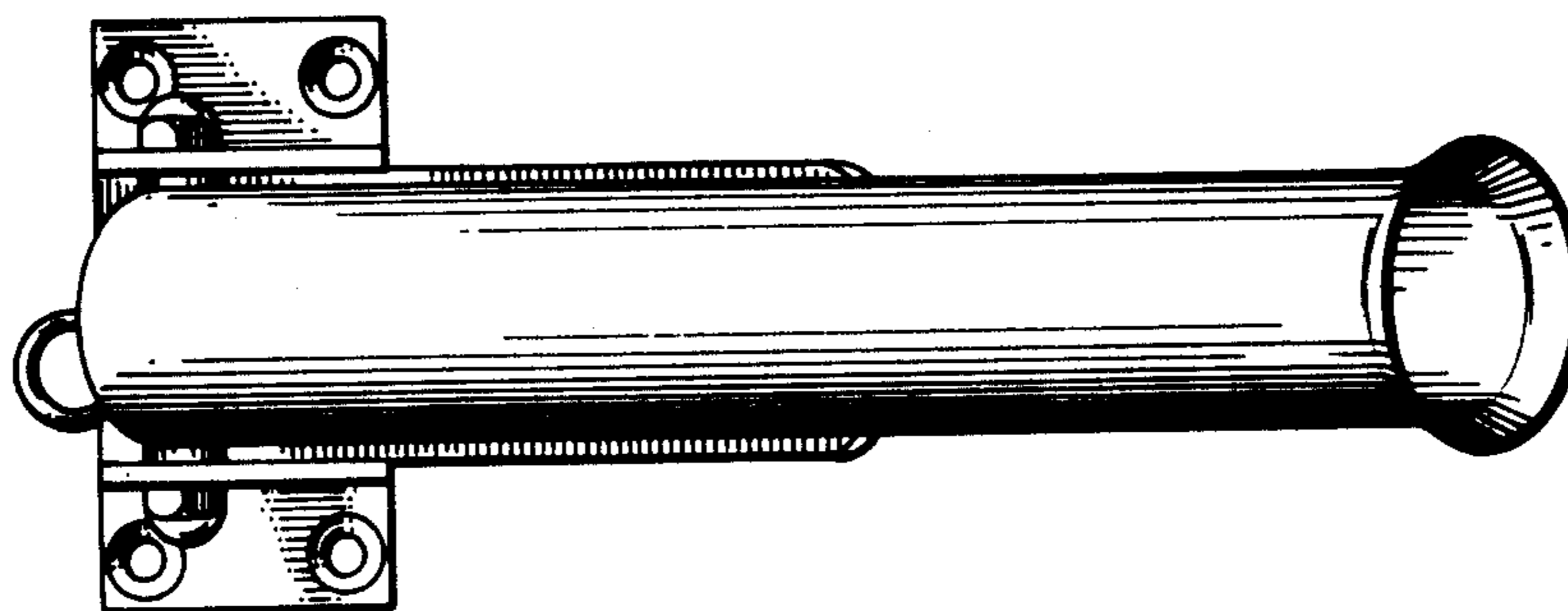


Fig. 5

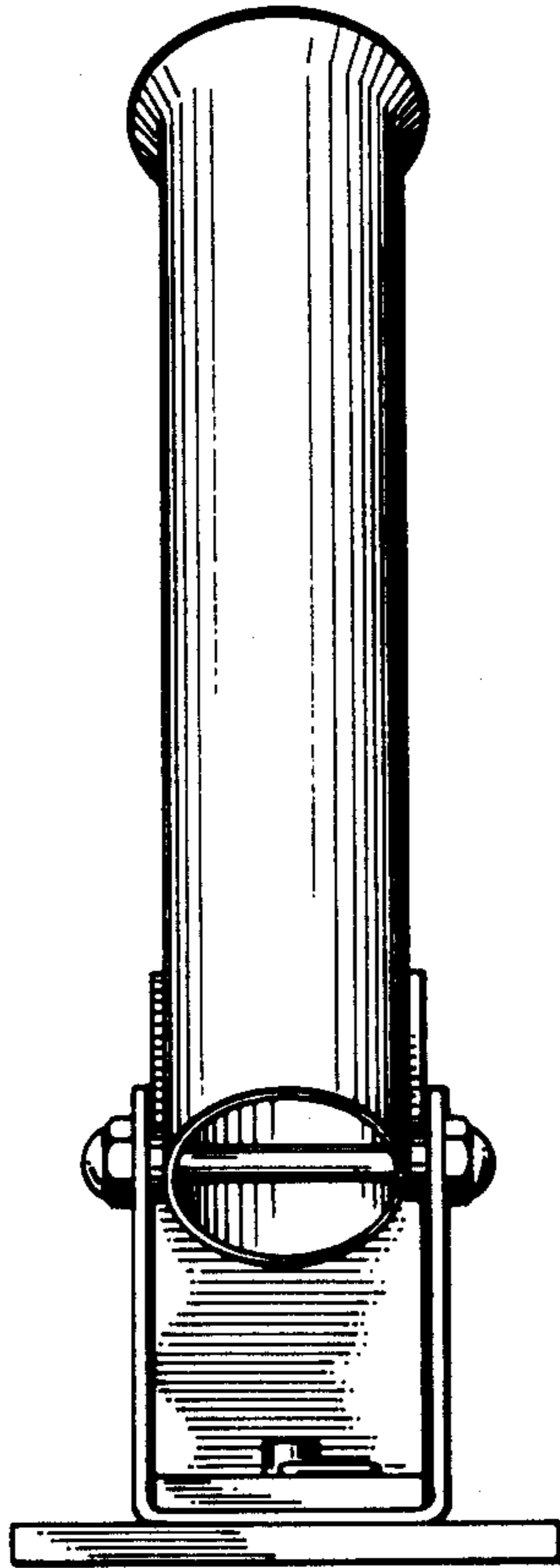


Fig. 6

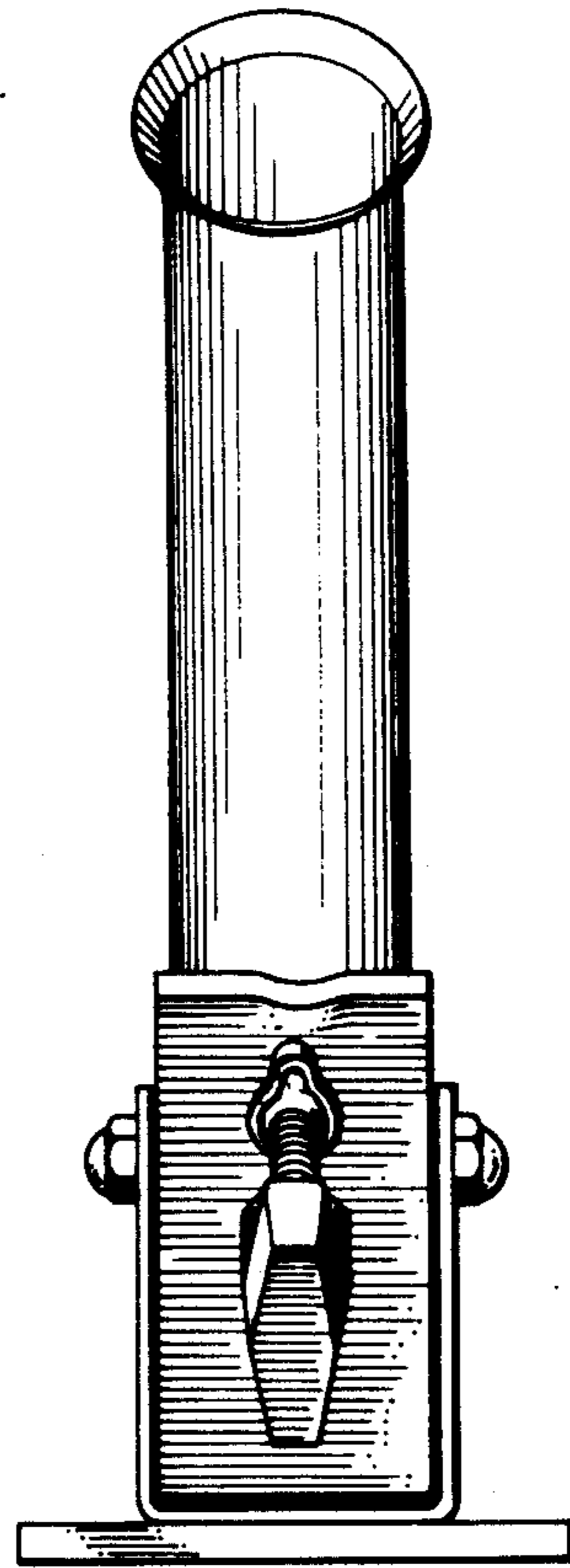


Fig. 7

