

[54] DESK SET

[76] Inventor: Jose De Oliveira, 592 Thole St., Norfolk, Va. 23505

[**] Term: 14 Years

[21] Appl. No.: 844,337

[22] Filed: Oct. 21, 1977

[51] Int. Cl. D19-06

[52] U.S. Cl. D19/75; D19/82; D19/97

[58] Field of Search D19/24, 42, 75, 80, D19/84, 82, 97, 94; D7/5; D12/62, 64; D34/15 JJ; D27/16, 22; D87/1 R

[56] References Cited

U.S. PATENT DOCUMENTS

D. 22,641	7/1893	Bowlay	D87/1 B
D. 85,513	11/1931	Camfield	D19/84
D. 152,234	12/1948	Wisecarver	D19/75
D. 197,181	12/1963	Markham	D34/15 JJ
D. 202,239	9/1965	Mackrell	D19/75

Primary Examiner—Joel Stearman
Assistant Examiner—George P. Word
Attorney, Agent, or Firm—Pollock, Vande Sande & Priddy

[57] CLAIM

The ornamental design for a desk set, as shown.

DESCRIPTION

FIG. 1 is a perspective view of a desk set showing my new design;

FIG. 2 is a left side elevational view;

FIG. 3 is a top plan view; and

FIG. 4 is a bottom plan view.

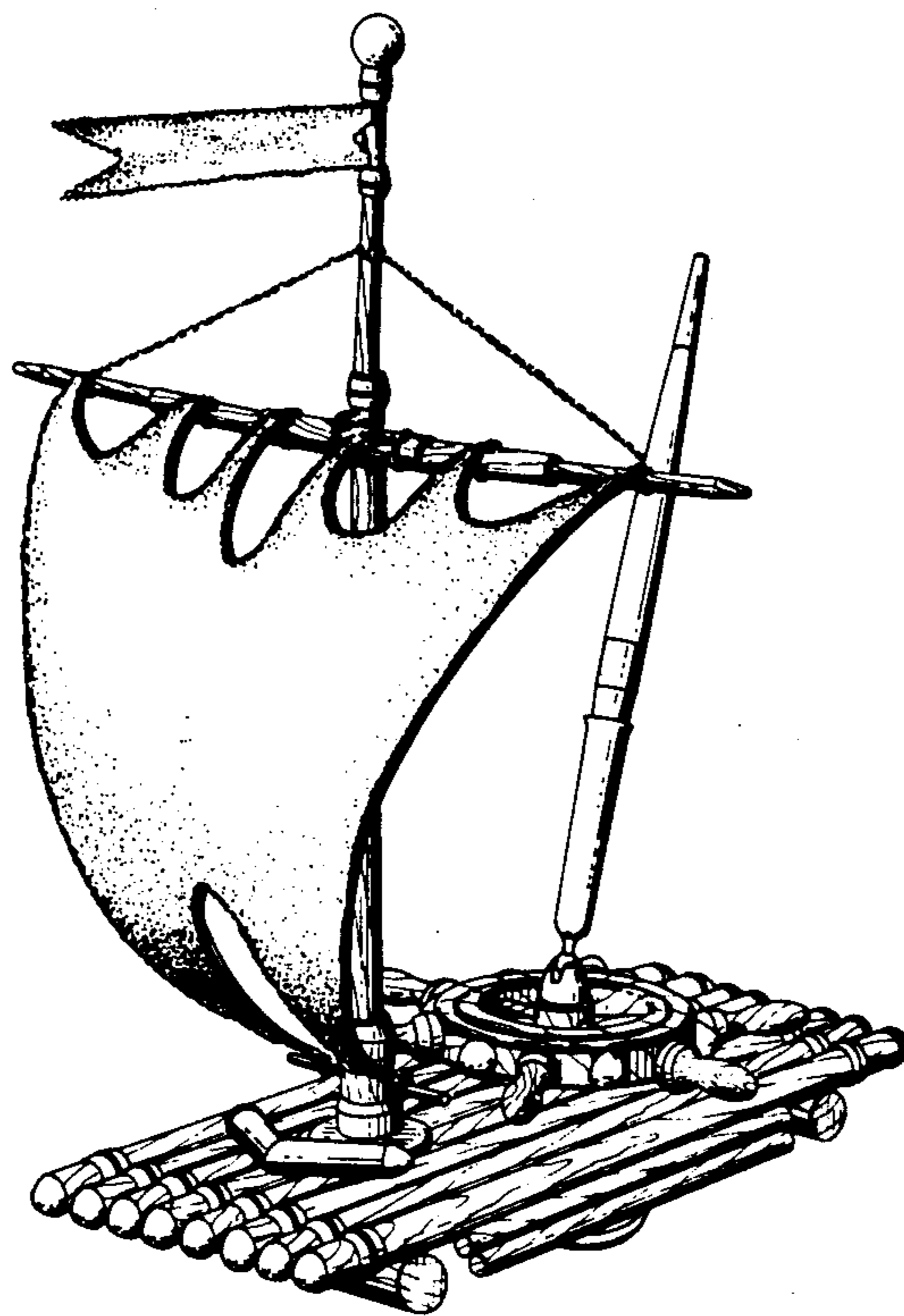


FIG. 2

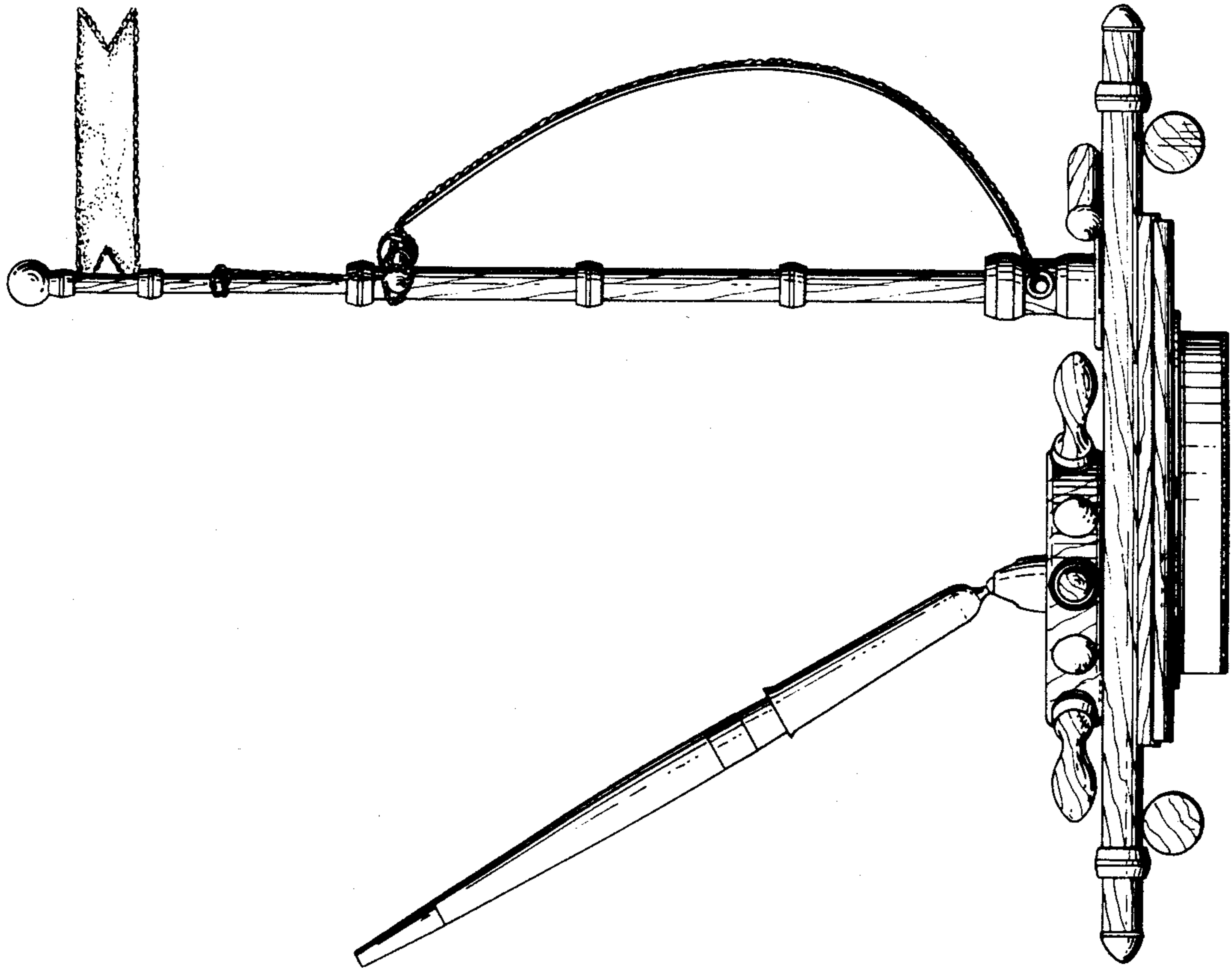


FIG. 1

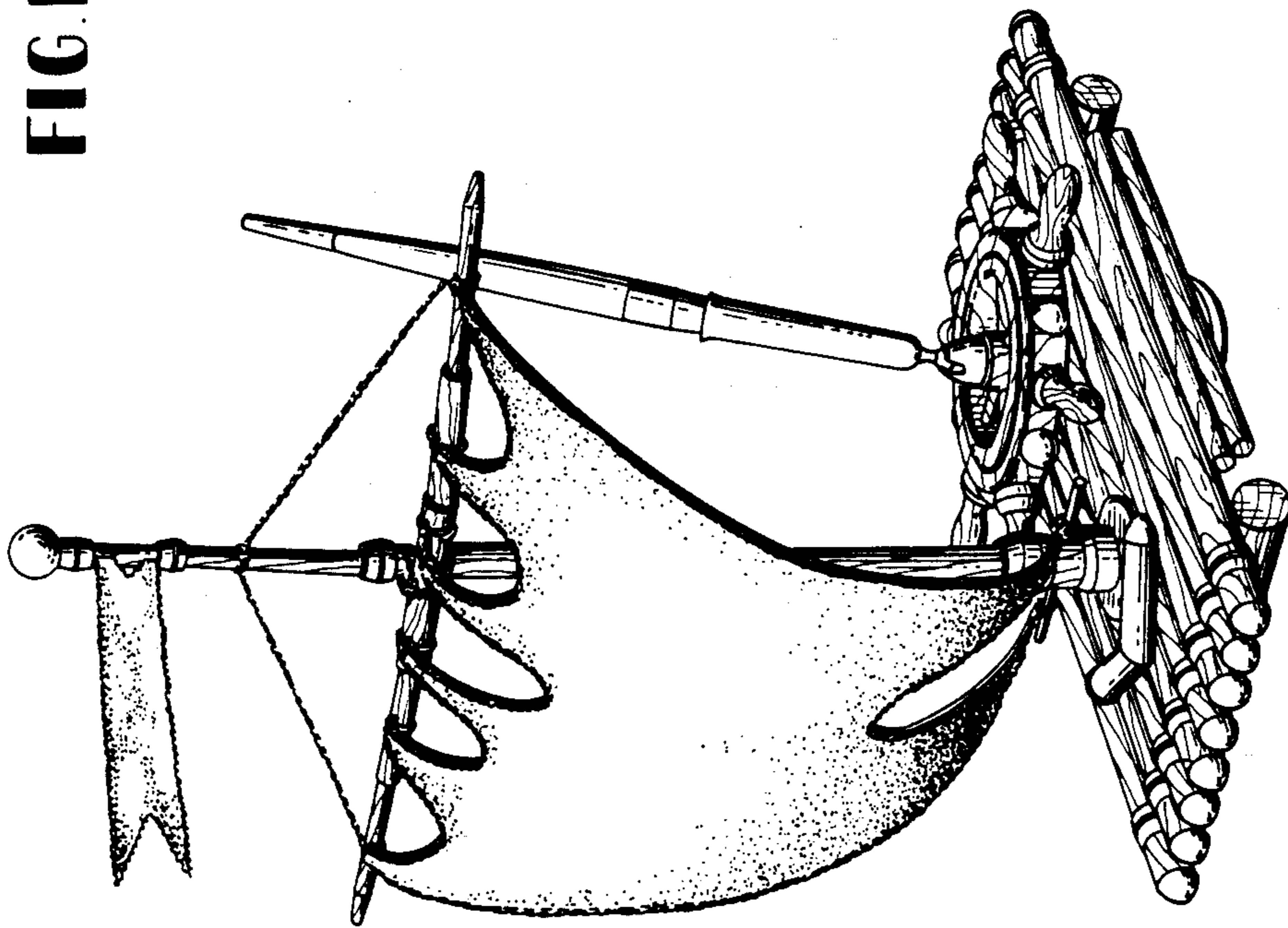


FIG. 3

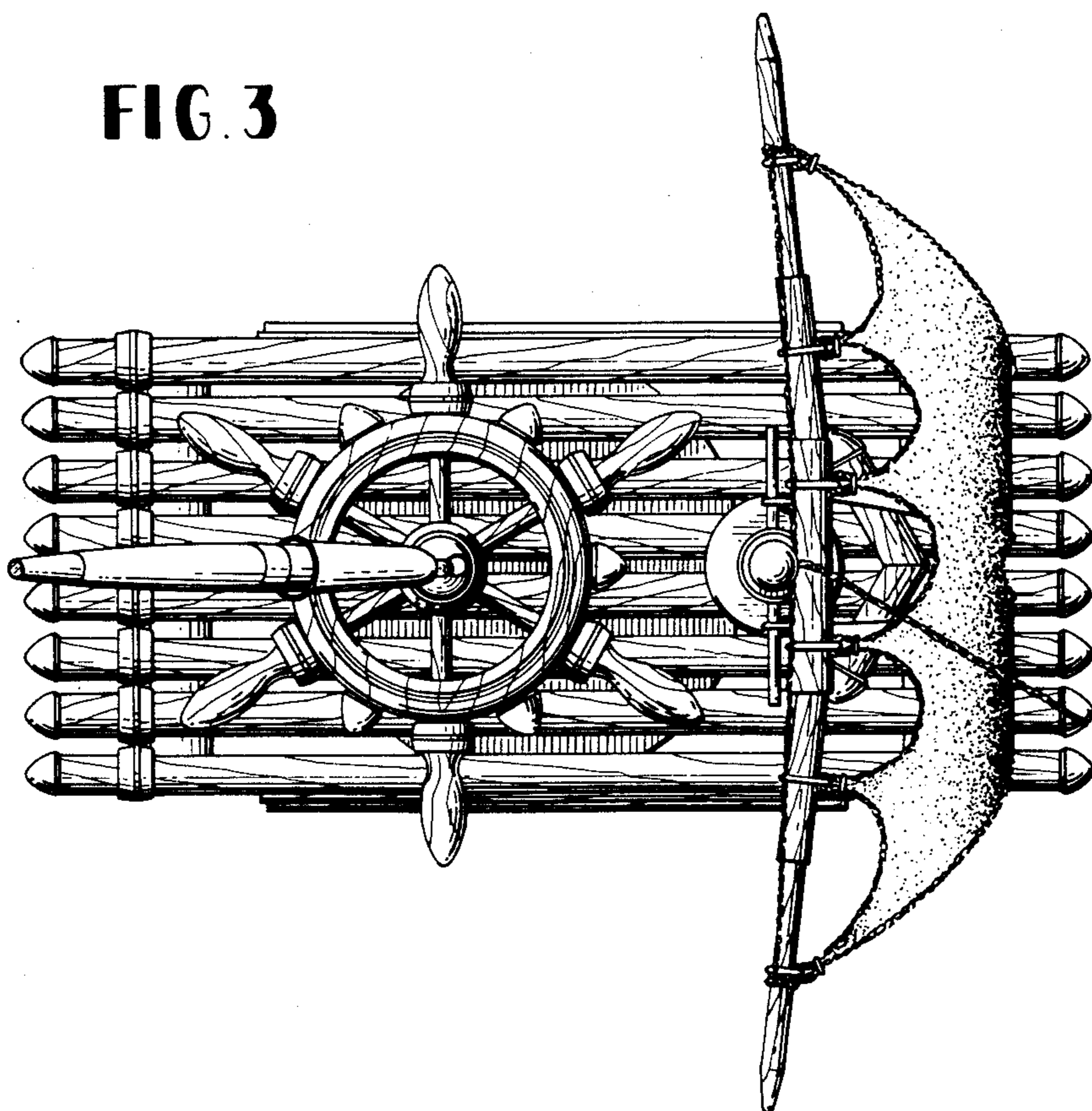


FIG. 4

