

[54] SPLASH PAN FOR A POTTER'S WHEEL

[75] Inventor: Ronald D. Lampen, Hamilton, Mich.

[73] Assignee: Crusader Corporation, Holland, Mich.

[**] Term: 14 Years

[21] Appl. No.: 873,706

[22] Filed: Jan. 30, 1978

[51] Int. Cl. D15-09

[52] U.S. Cl. D15/138; D15/130

[58] Field of Search D19/35; D9/219; D7/23; 425/263, 459; D15/130, 138

[56] References Cited

U.S. PATENT DOCUMENTS

- D. 229,824 1/1974 Erickson D9/219
- D. 233,696 11/1974 Piepenburg D15/130

FOREIGN PATENT DOCUMENTS

1266880 3/1972 United Kingdom 425/459

OTHER PUBLICATIONS

Art Brown Cat. © 1973, p. 193, Pro-Kick Pottery Wheel, left center.

Primary Examiner—Louis S. Zarfes

Assistant Examiner—George P. Word

Attorney, Agent, or Firm—Glenn B. Morse

[57] CLAIM

The ornamental design for a splash pan for a potter's wheel, as shown and described.

DESCRIPTION

FIG. 1 is a top plan view of a splash pan for a potter's wheel showing my new design; and FIG. 2 is a cross-sectional view taken along line 2—2 of FIG. 1.

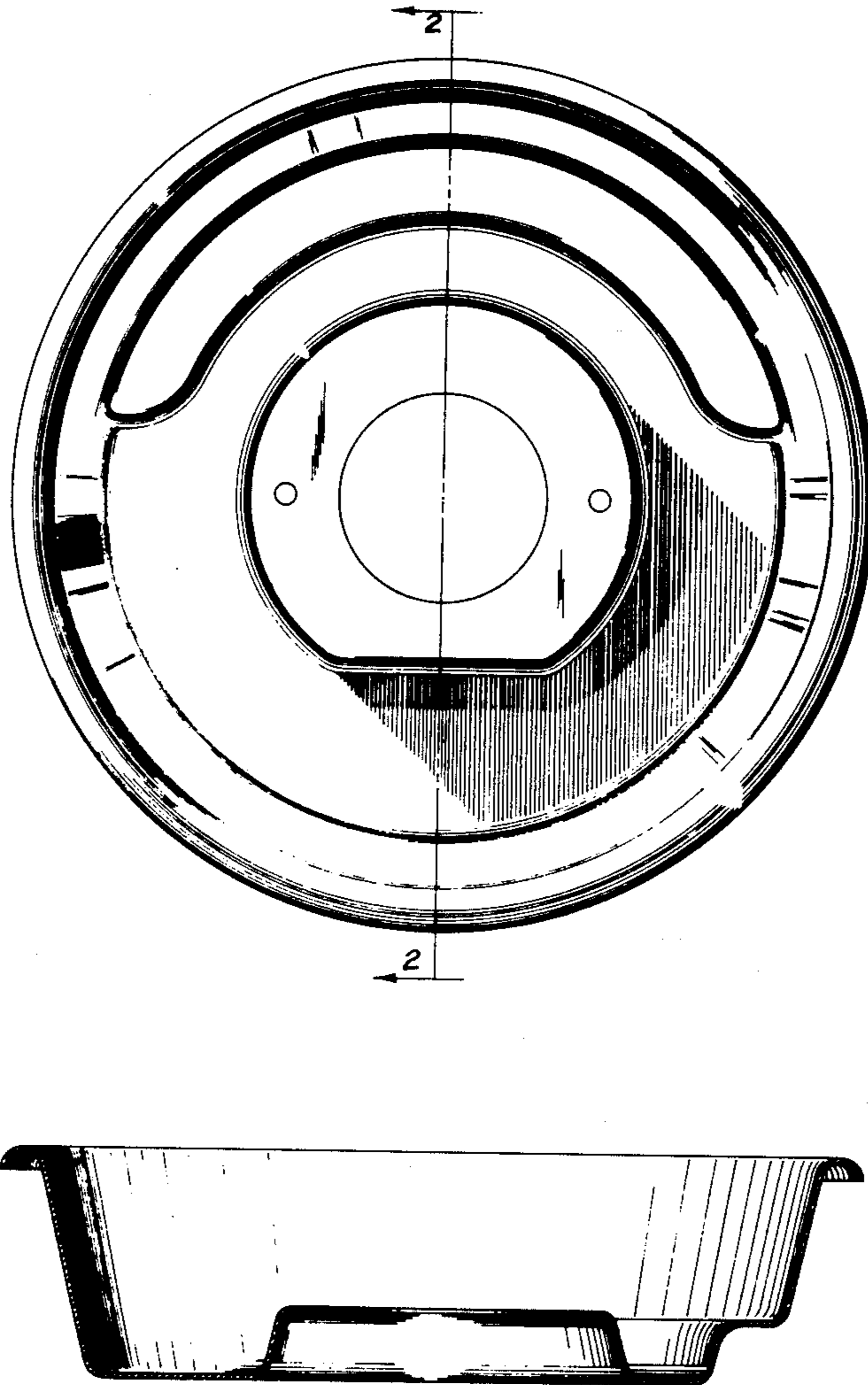


FIG. 1

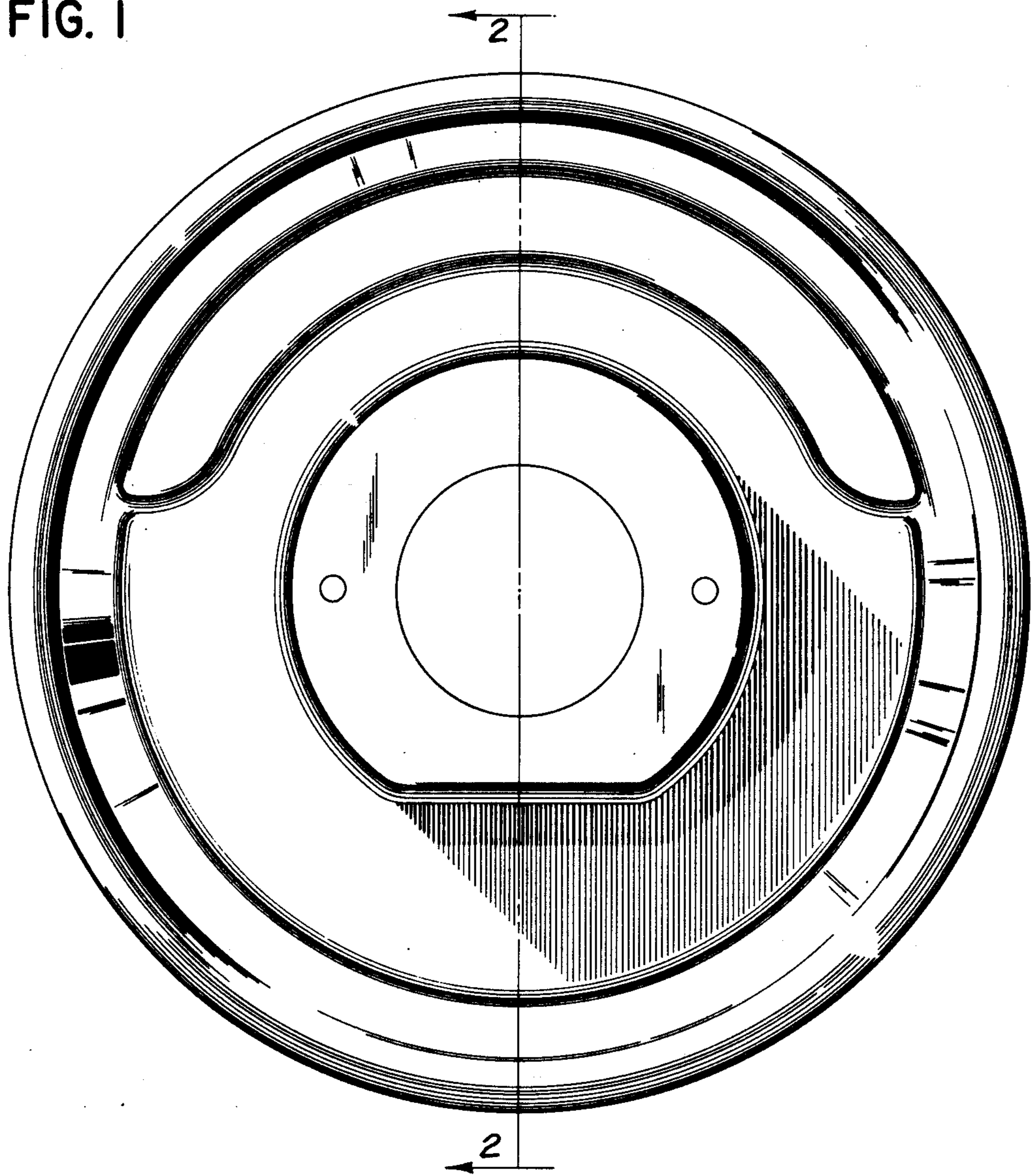


FIG. 2

