

[54] BEVERAGE CAN HOLDER FOR REFRIGERATOR

[76] Inventors: Bernard S. Berman; Bernard L. Schlossberg; Maurice Kaye, all of P.O. Box 902, Hicksville, N.Y. 11802

[\*\*] Term: 14 Years

[21] Appl. No.: 893,155

[22] Filed: Apr. 3, 1978

[51] Int. Cl. .... D15-07

[52] U.S. Cl. .... D15/89; D6/188; D6/189

[58] Field of Search ..... D15/89; D6/189, 188; 211/74, 49 D, 181, 119

[56] References Cited

U.S. PATENT DOCUMENTS

3,161,295	12/1964	Chesley .....	211/49 D
3,784,022	1/1974	Beesley, Jr. ....	211/49 D
3,805,964	4/1974	Titus, Jr. ....	211/49 D

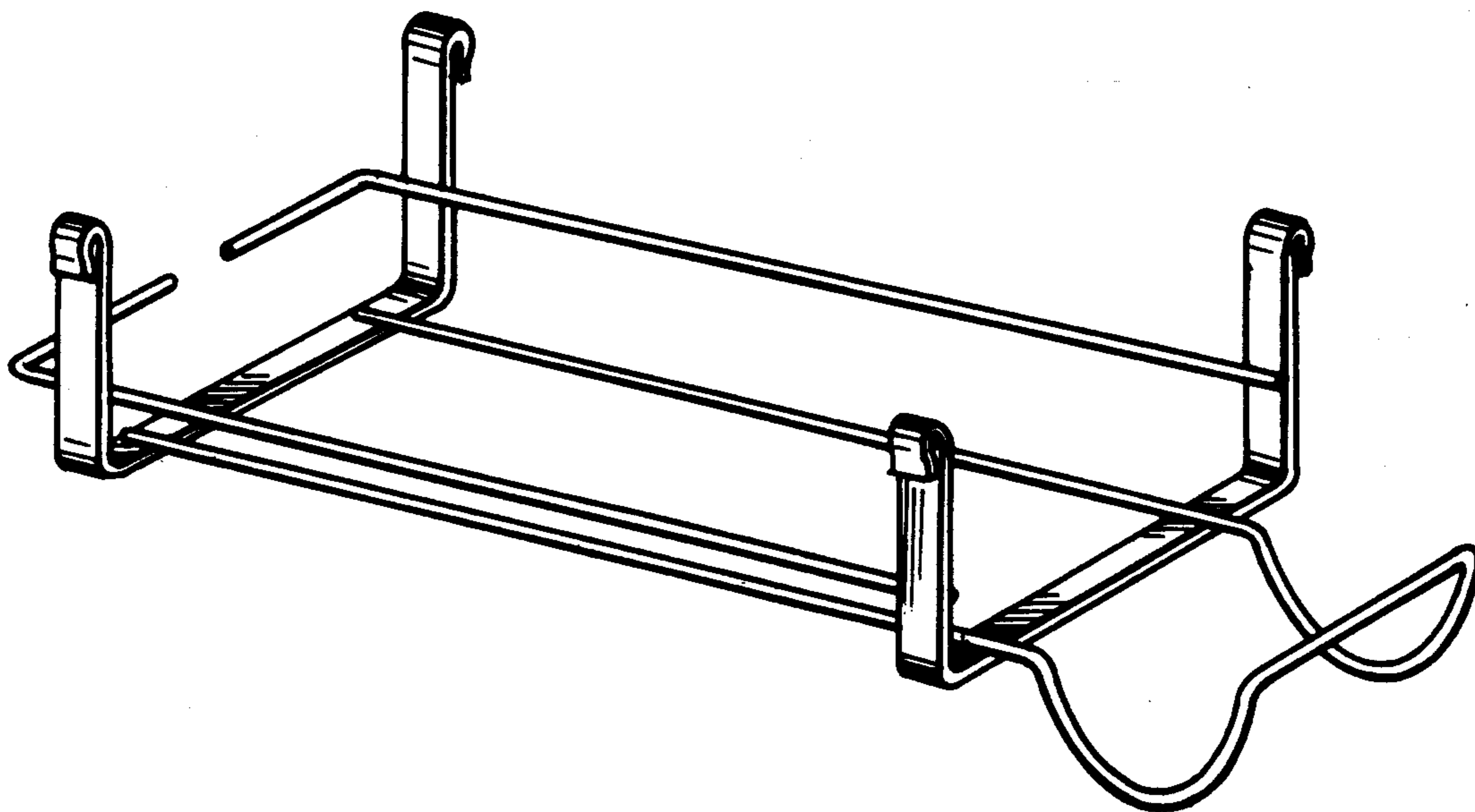
Primary Examiner—James M. Gandy  
Attorney, Agent, or Firm—Friedman, Goodman & Teitelbaum

[57] CLAIM

The ornamental design for a beverage can holder for refrigerator, substantially as shown and described.

DESCRIPTION

FIG. 1 is a perspective view of a beverage can holder for refrigerator, showing our new design;  
 FIG. 2 is a top plan view thereof;  
 FIG. 3 is a front elevational view thereof;  
 FIG. 4 is a right side elevational view thereof;  
 FIG. 5 is a rear elevational view thereof;  
 FIG. 6 is a perspective view of a beverage can holder for refrigerator, showing a second embodiment of our new design;  
 FIG. 7 is a top plan view of FIG. 6;  
 FIG. 8 is a front elevational view of FIG. 6;  
 FIG. 9 is a right side elevational view of FIG. 6; and  
 FIG. 10 is a rear elevational view of FIG. 6.



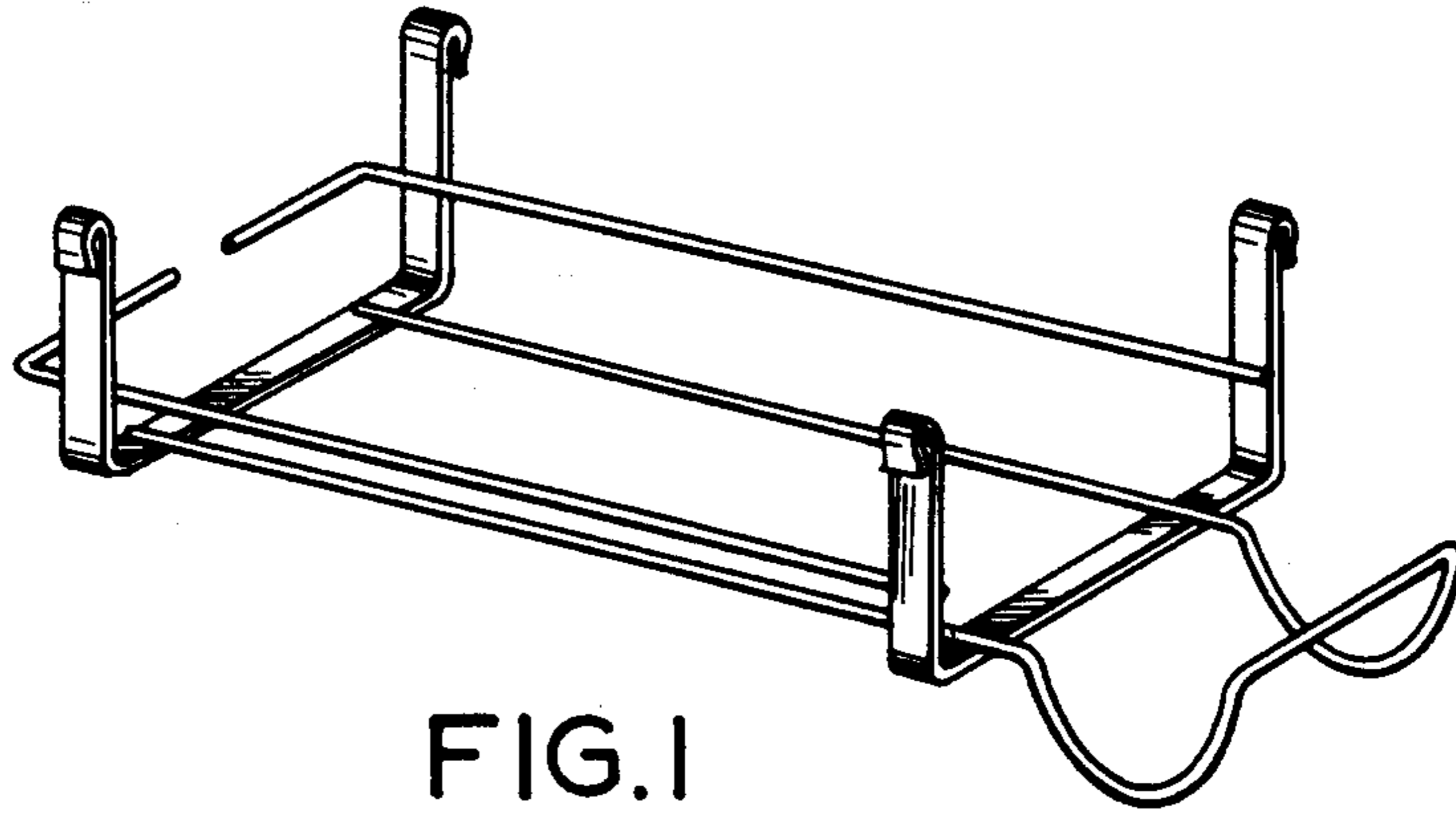


FIG. 1

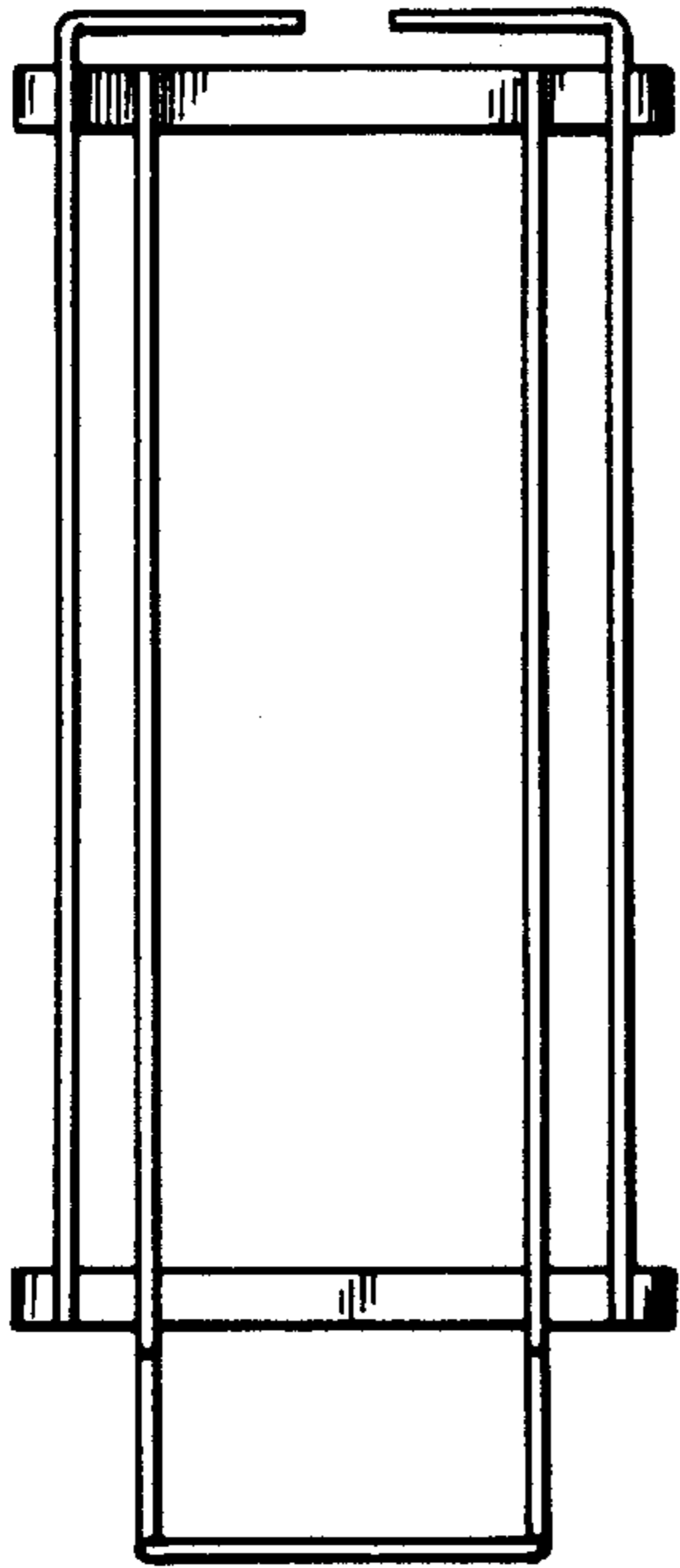


FIG. 2

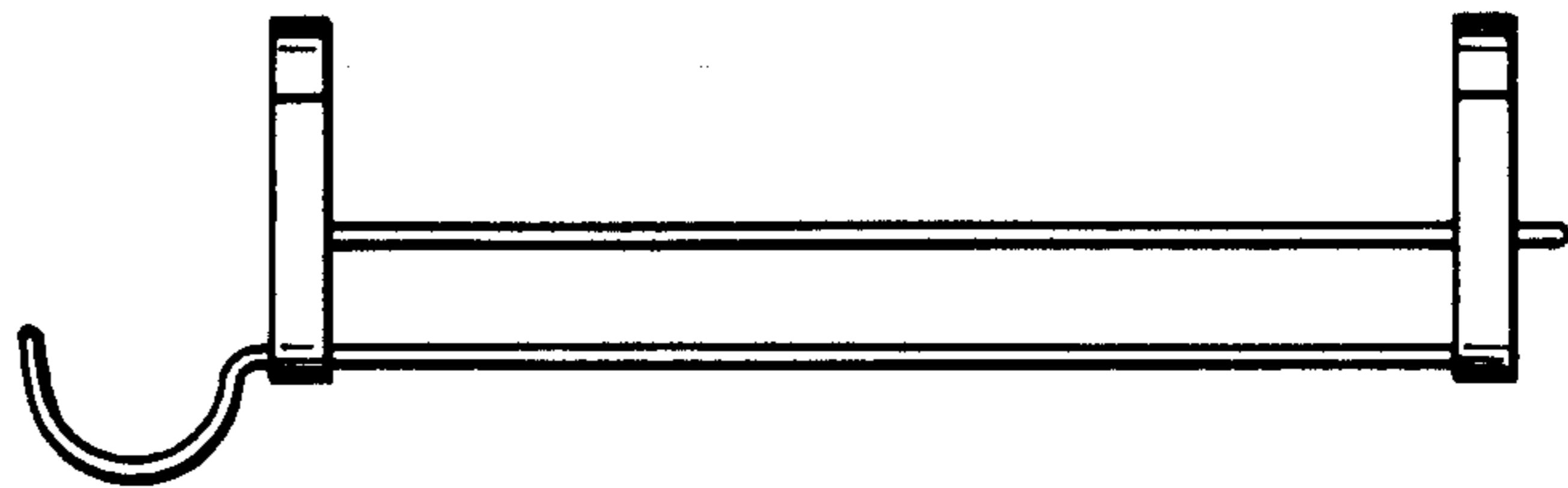


FIG. 4

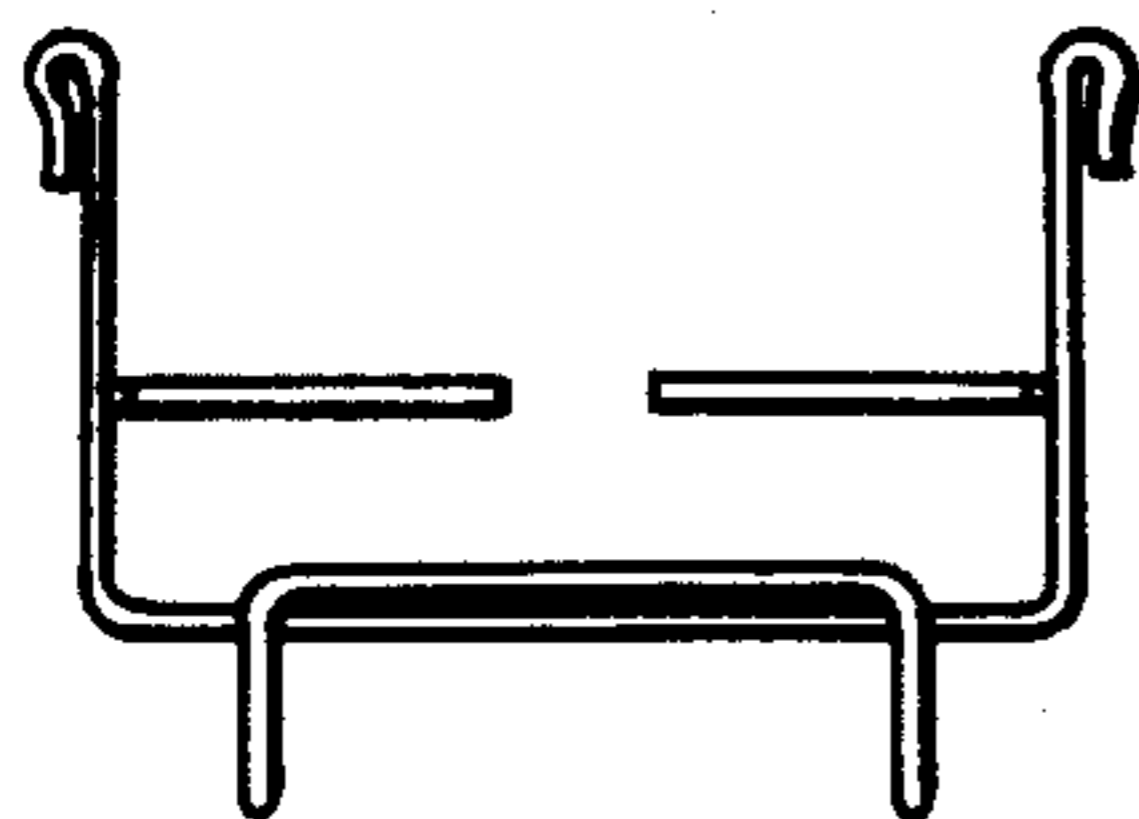


FIG. 3

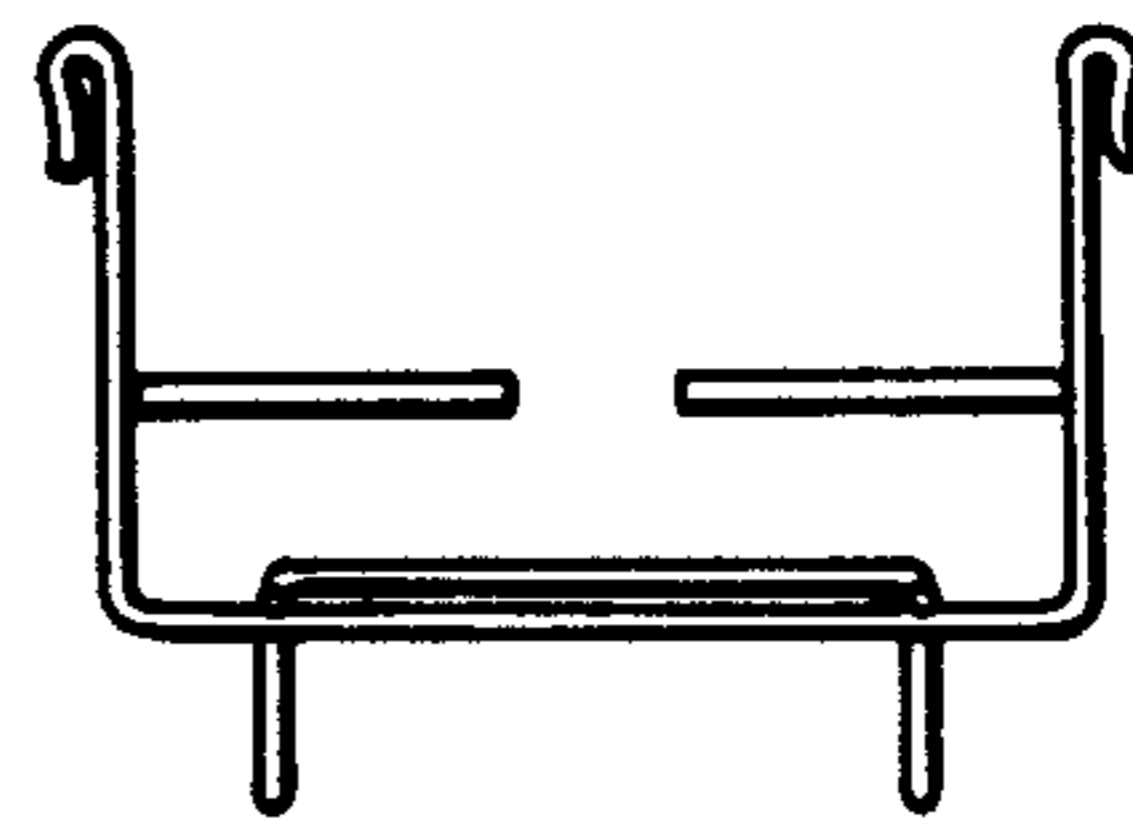


FIG. 5

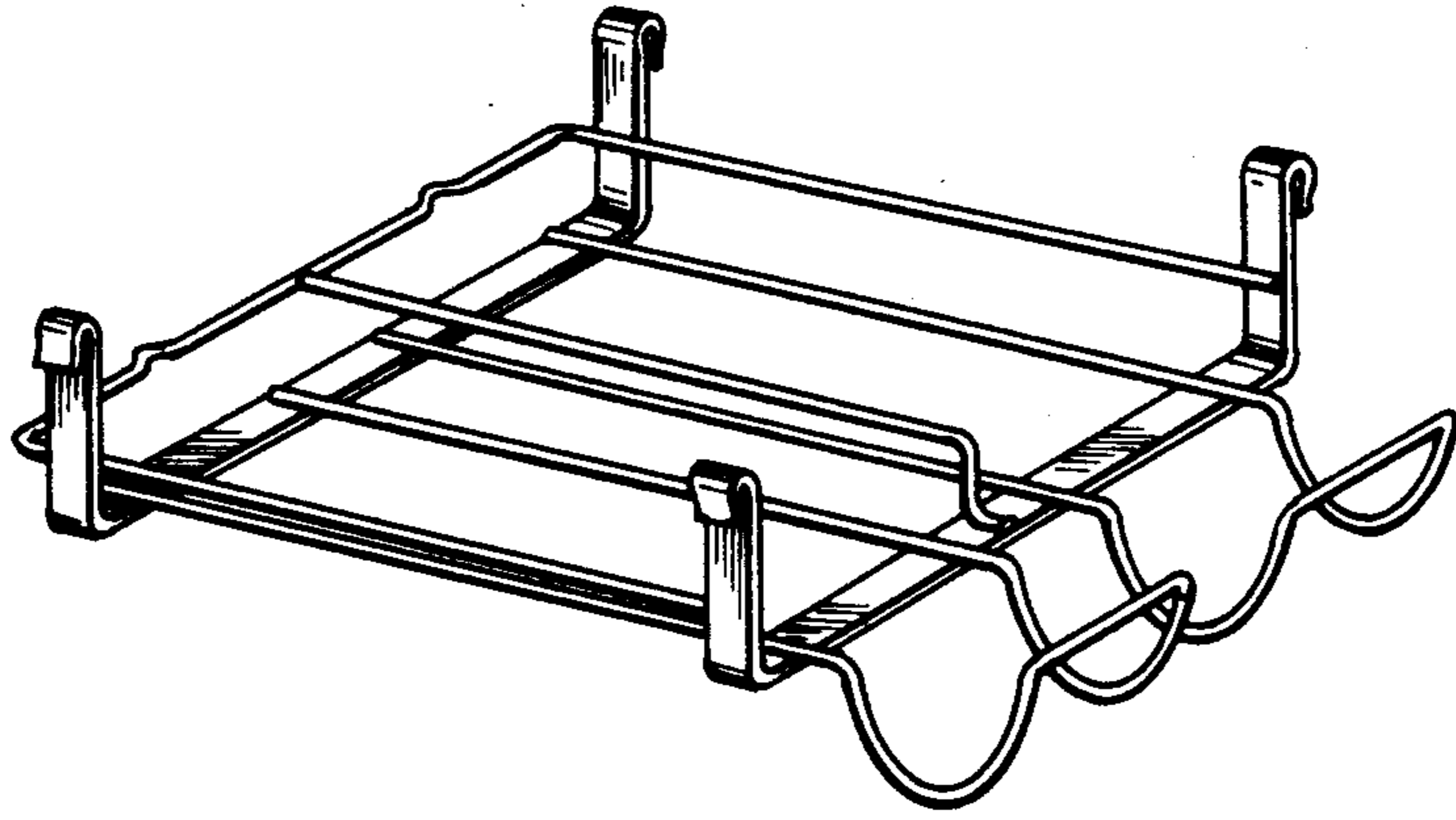


FIG. 6

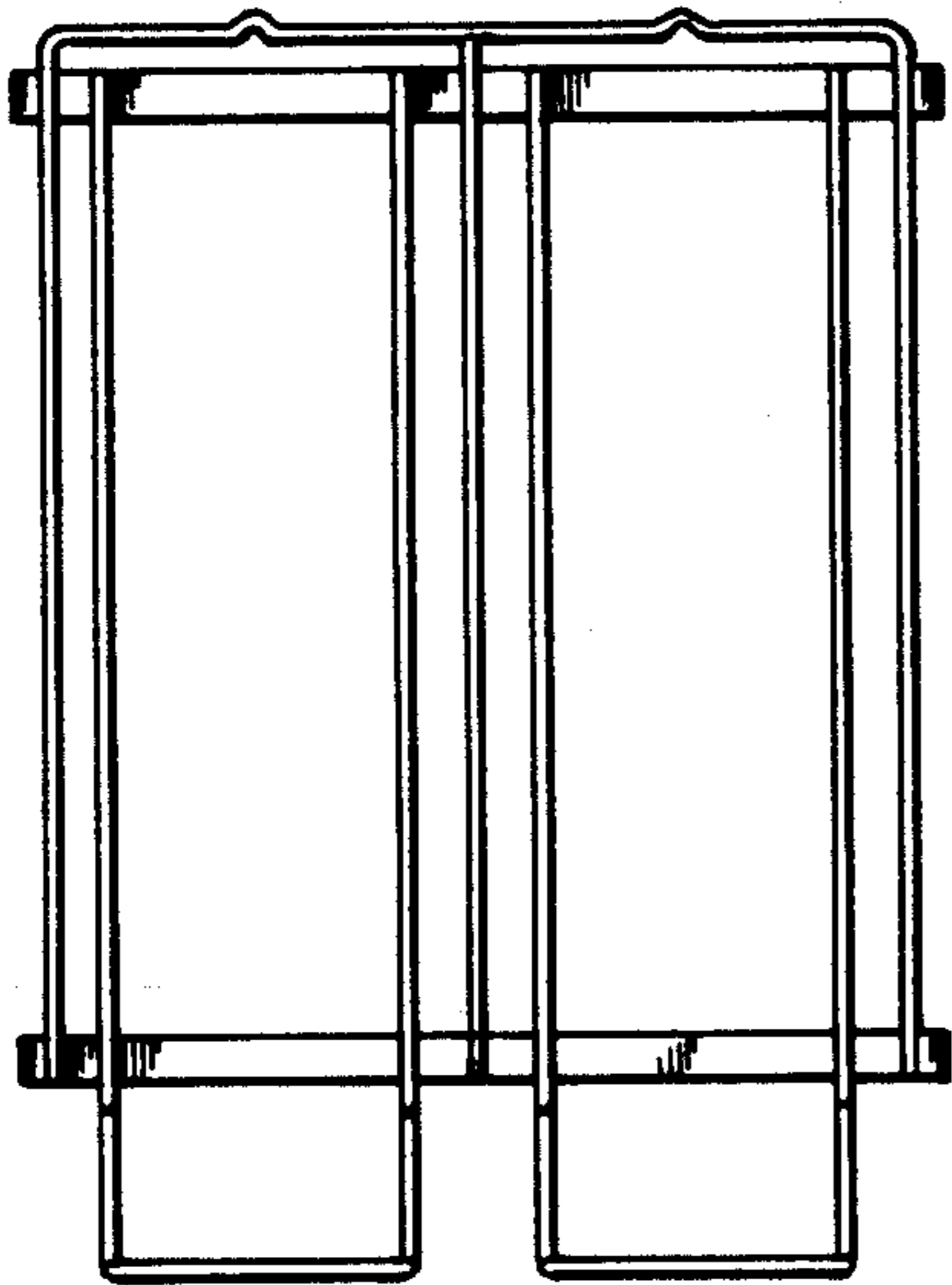


FIG. 7

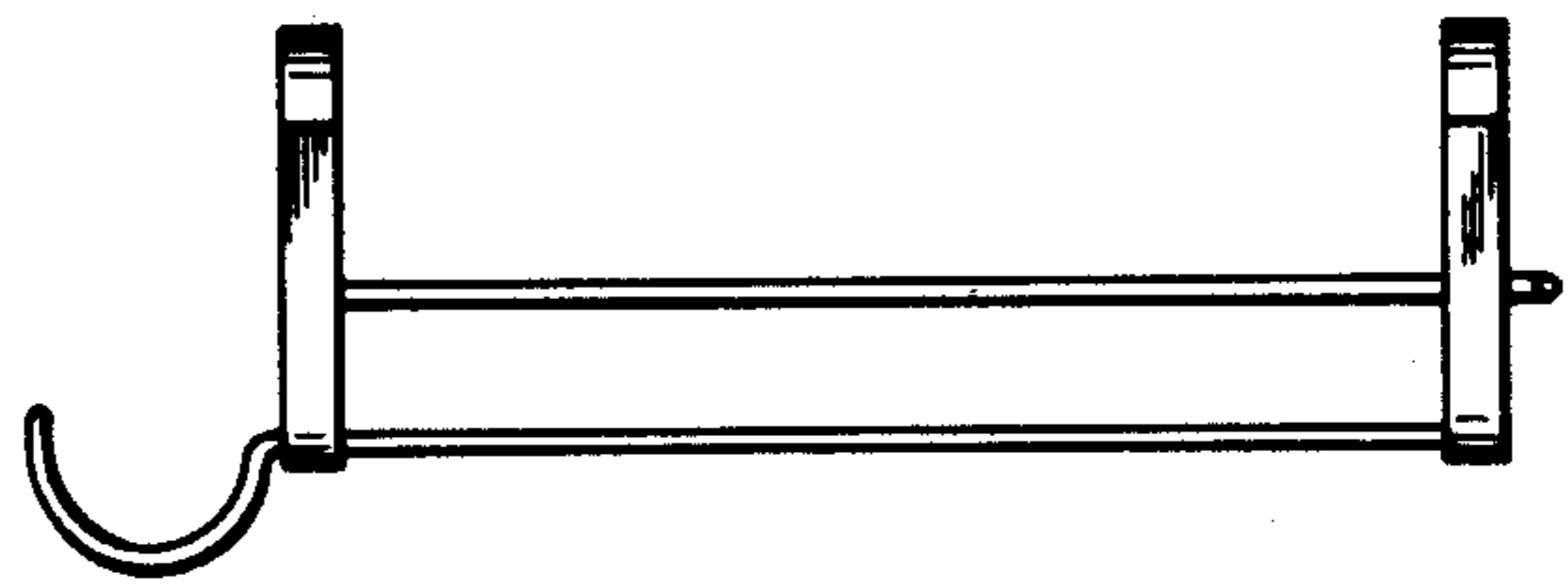


FIG. 9

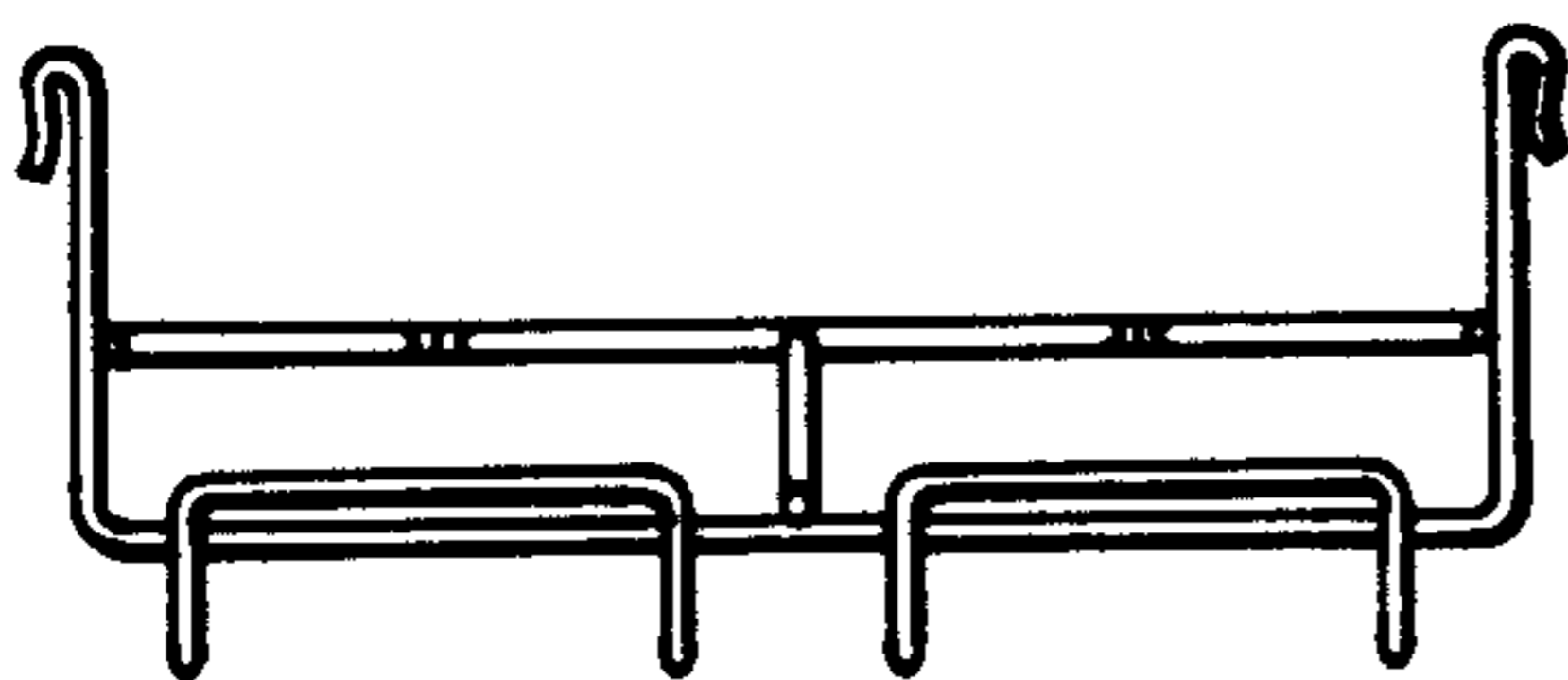


FIG. 8

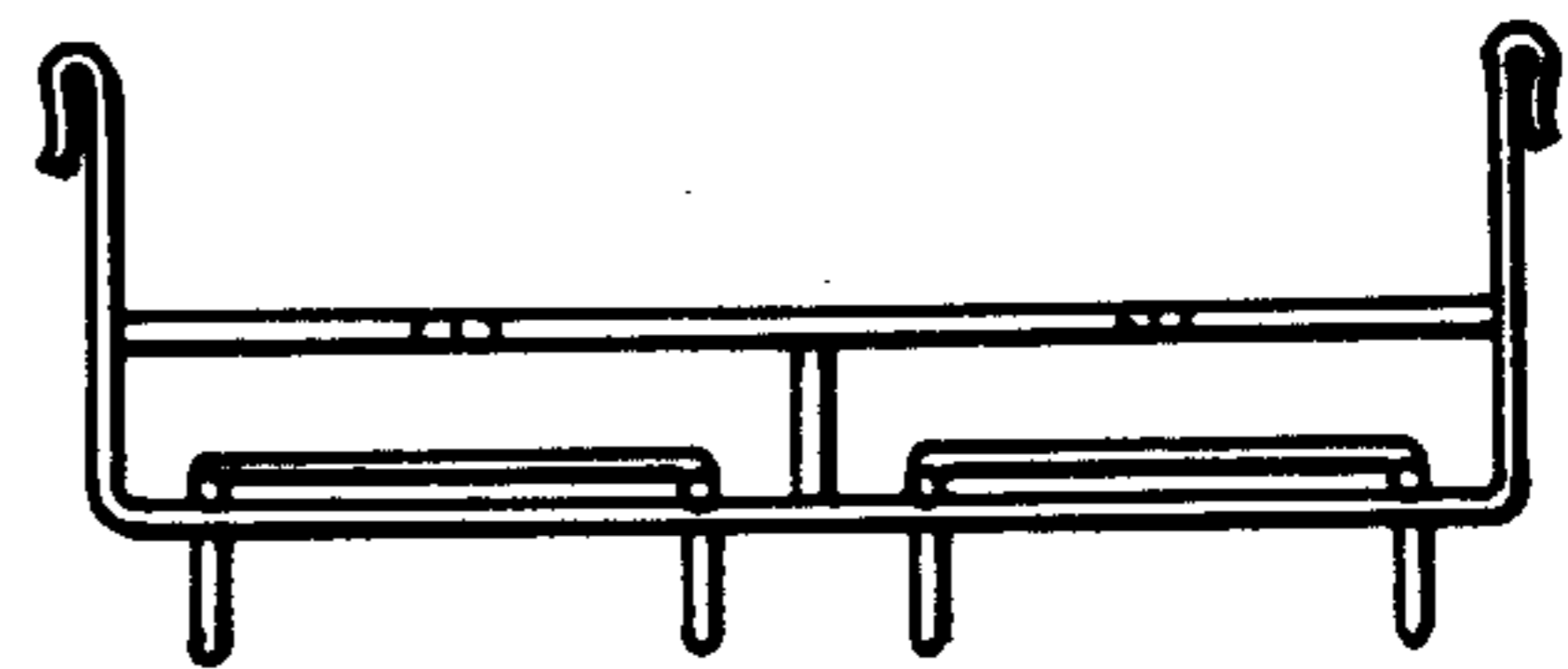


FIG. 10