

[54] TELEVISION CAMERA

[75] Inventor: Konrad Ellermeier, Valkenswaard, Netherlands  
[73] Assignee: U.S. Philips Corporation, New York, N.Y.

[\*\*] Term: 14 Years

[21] Appl. No.: 821,707

[22] Filed: Aug. 4, 1977

[30] Foreign Application Priority Data  
Feb. 14, 1977 [XB] Benelux ..... 5166400

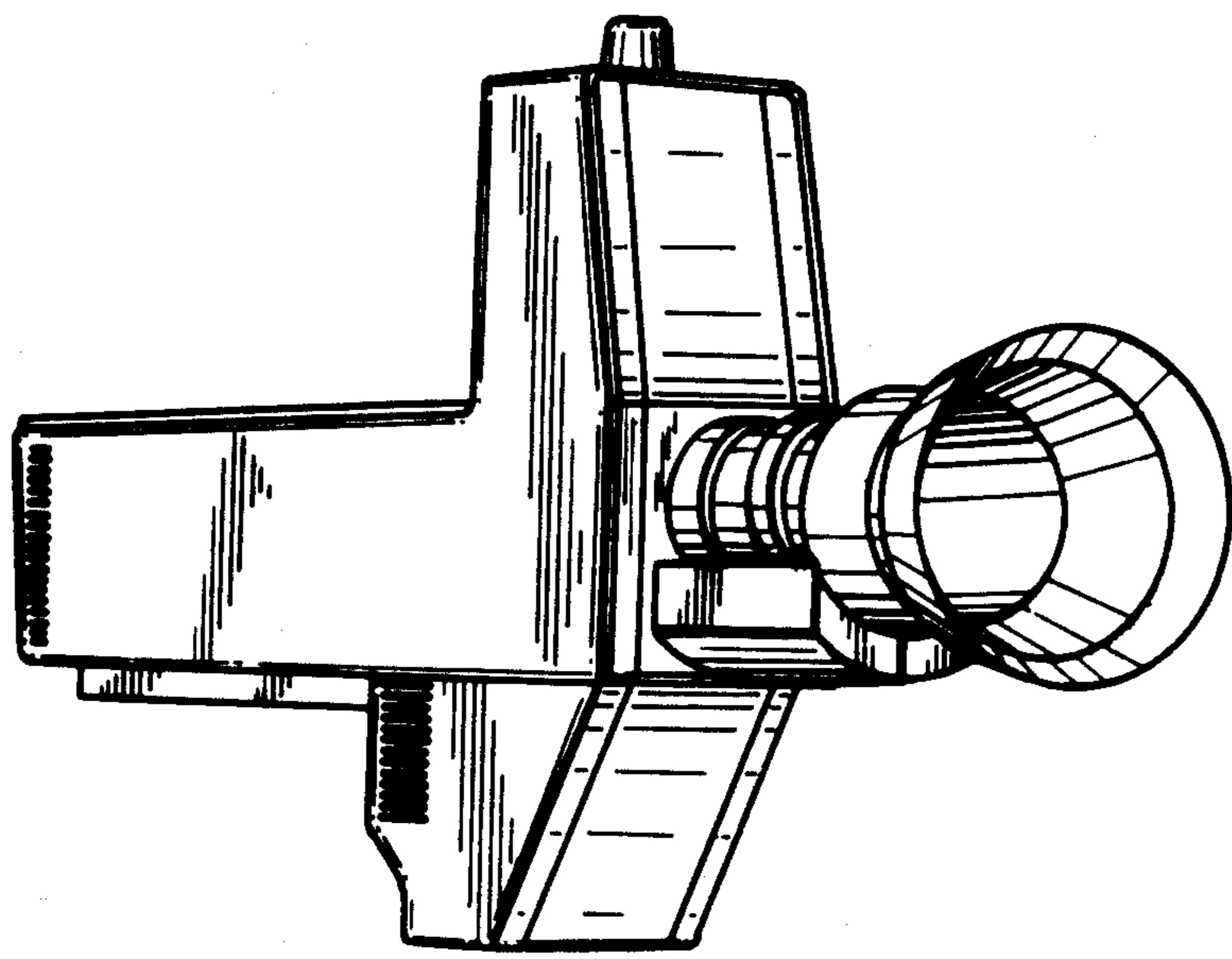
[51] Int. Cl. .... D14-03; D16-01  
[52] U.S. Cl. .... D14/78; D16/2; D16/4  
[58] Field of Search ..... D16/1, 2, 3, 4; D14/78; 352/1, 34, 95, 72, 242; 354/126, 145; 361/3-18; 358/209, 108

[56] References Cited  
U.S. PATENT DOCUMENTS  
D. 223,410 4/1972 Larson ..... D14/78  
D. 241,072 8/1976 McMann, Jr. et al. .... D14/78  
D. 246,525 11/1977 Schlagheck et al. .... D16/4  
3,845,238 10/1974 Schneider et al. .... 358/209 X  
4,091,975 5/1978 Russell, Jr. .... 224/5 V

Primary Examiner—Wallace R. Burke  
Assistant Examiner—Catherine Kemper  
Attorney, Agent, or Firm—Thomas A. Briody; William J. Streeter; Rolf E. Schneider

[57] CLAIM  
The ornamental design for a television camera, as shown.

DESCRIPTION  
FIG. 1 is a perspective view of a television camera showing my new design;  
FIG. 2 is a left side elevational view thereof;  
FIG. 3 is a right side elevational view thereof;  
FIG. 4 is a top plan view thereof;  
FIG. 5 is a bottom plan view thereof;  
FIG. 6 is a front elevational view thereof; and  
FIG. 7 is a rear elevational view thereof.



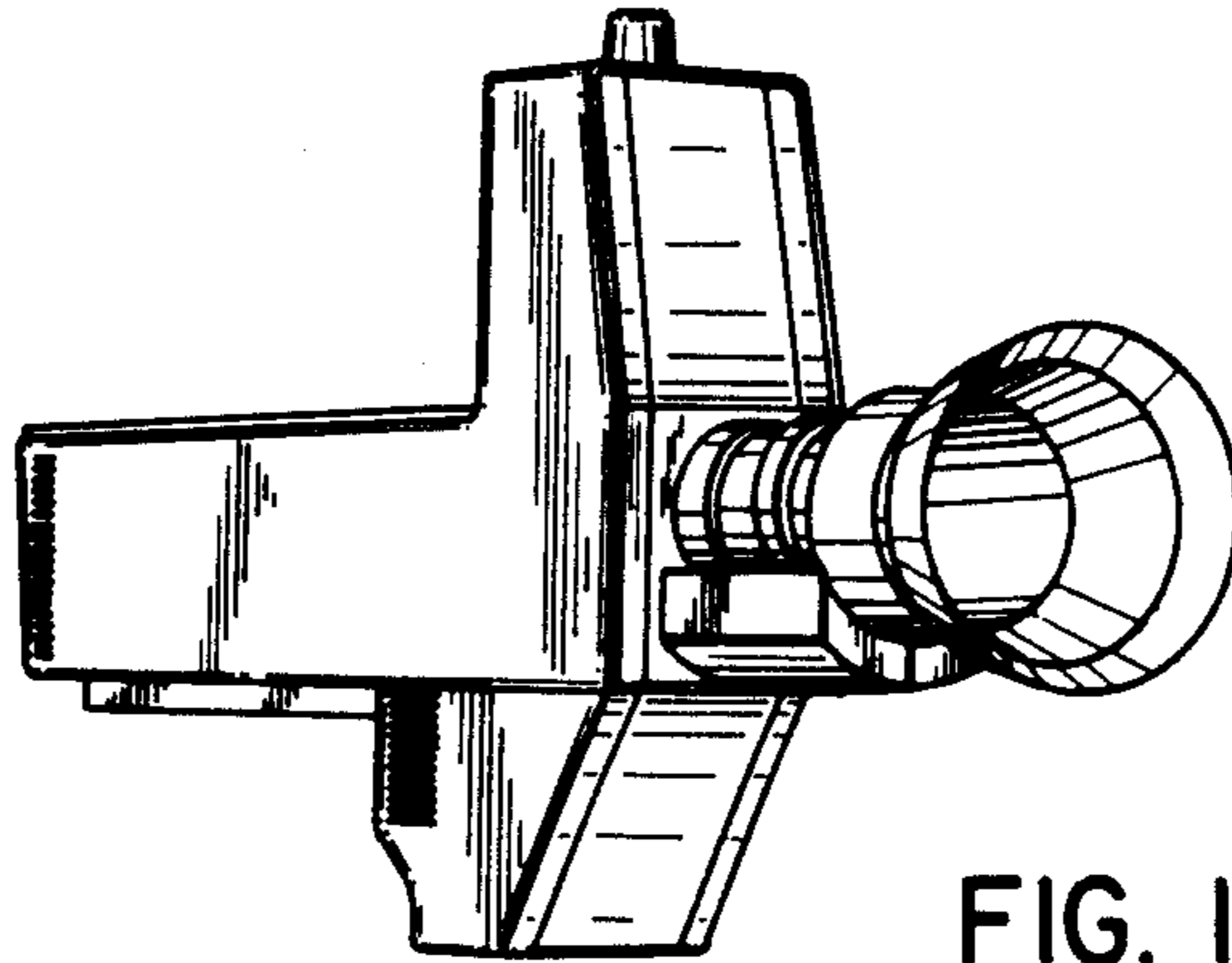


FIG. 1

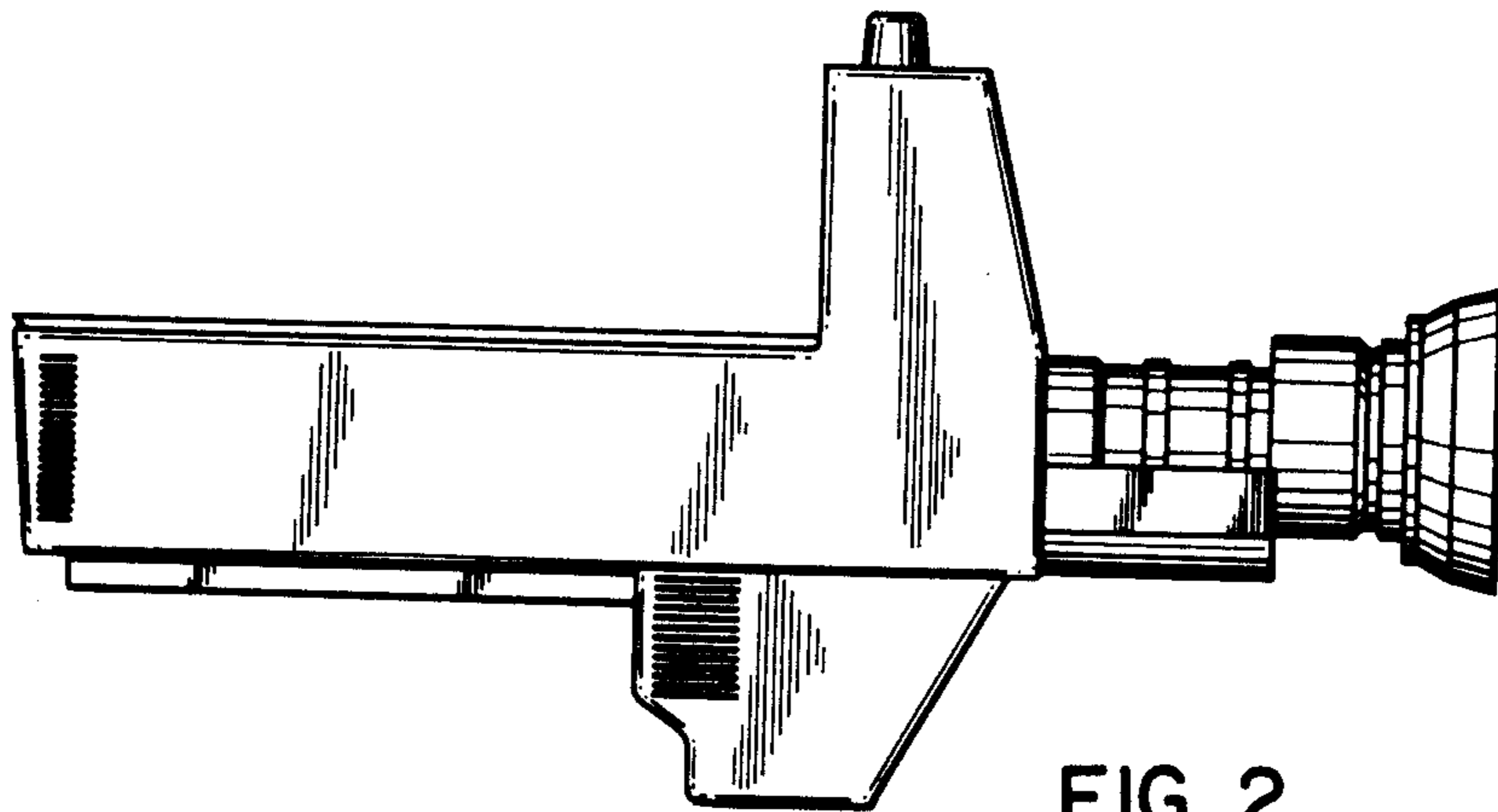


FIG. 2

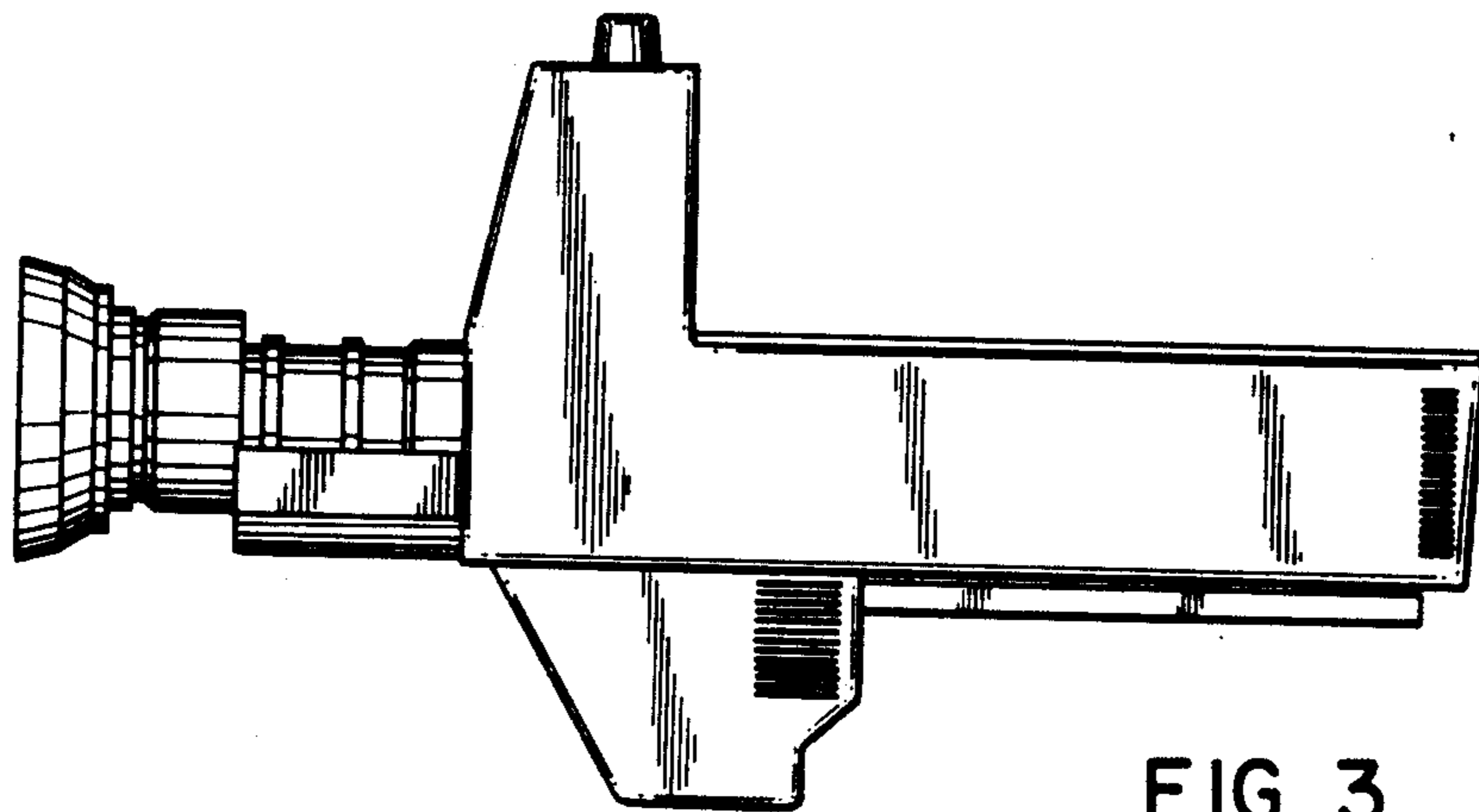


FIG. 3

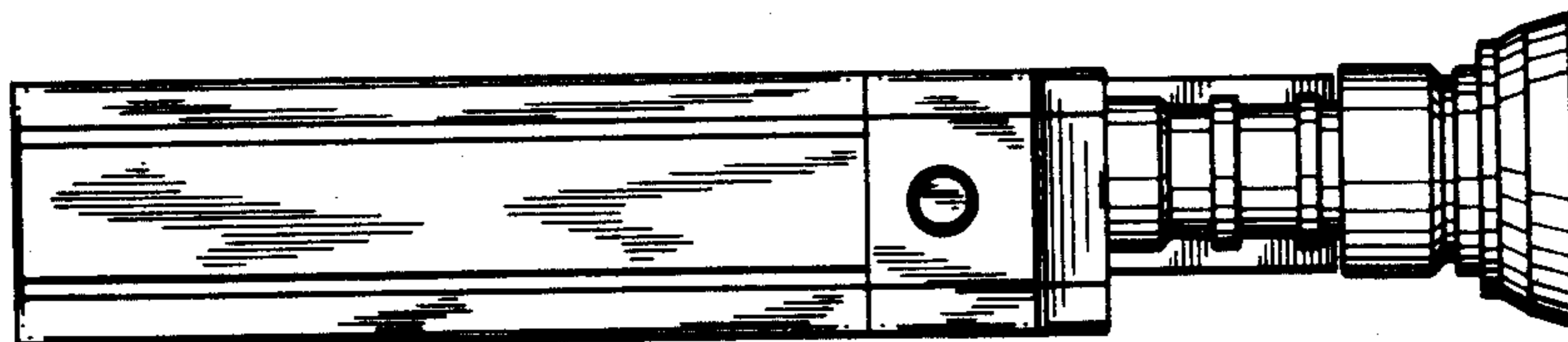


FIG. 4

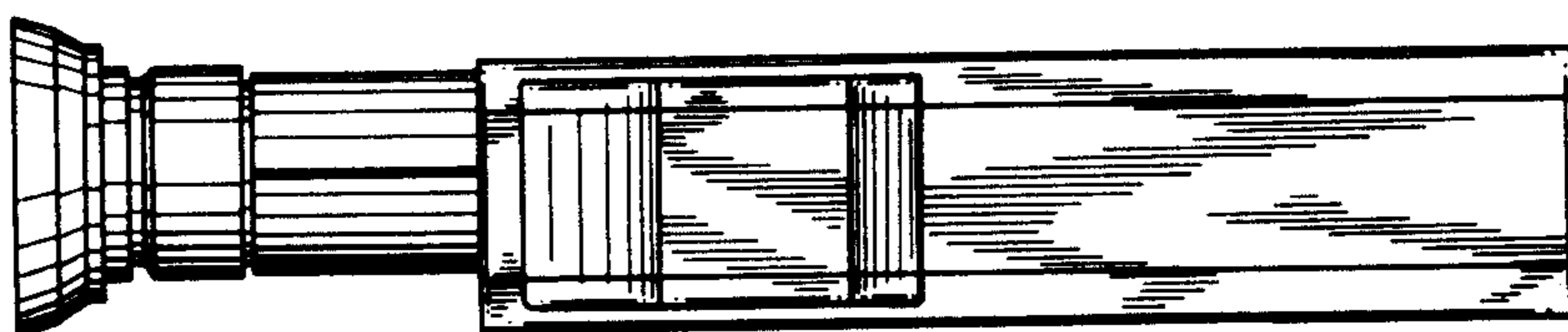


FIG. 5

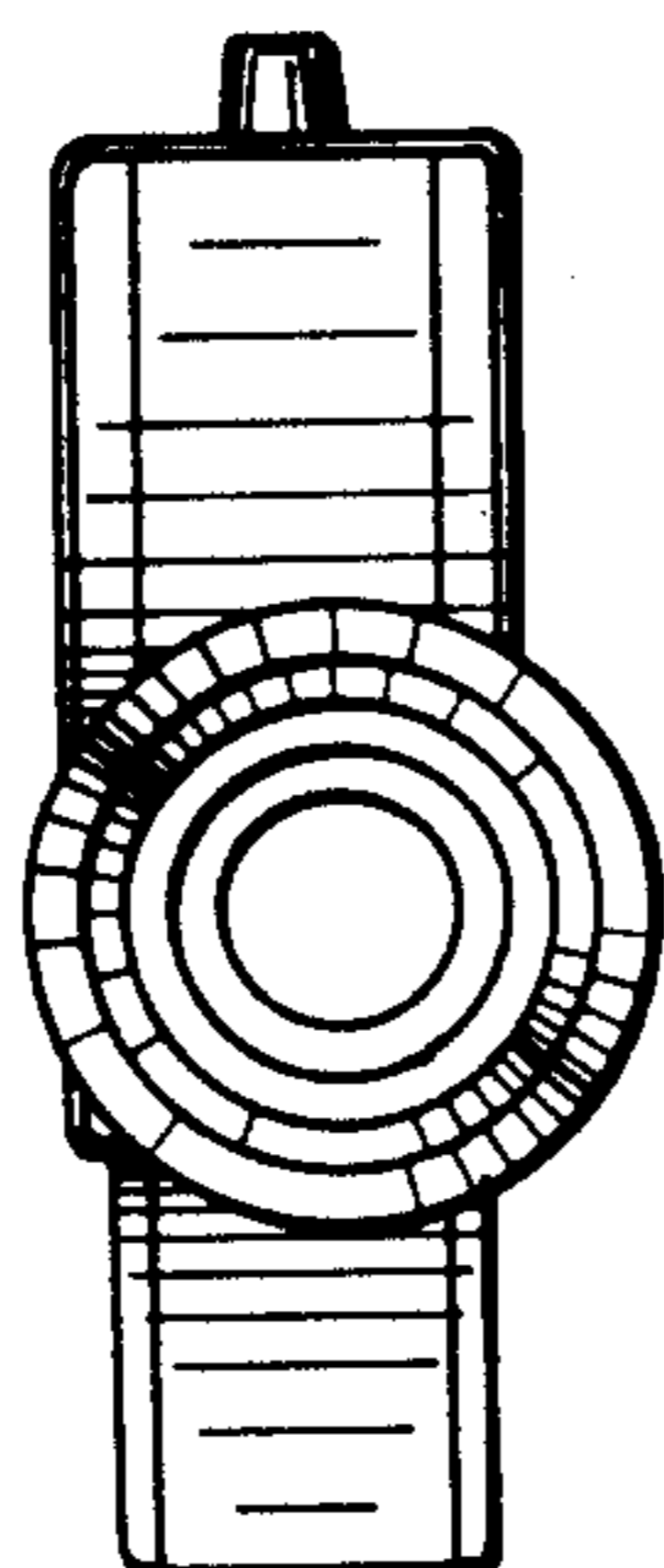


FIG. 6

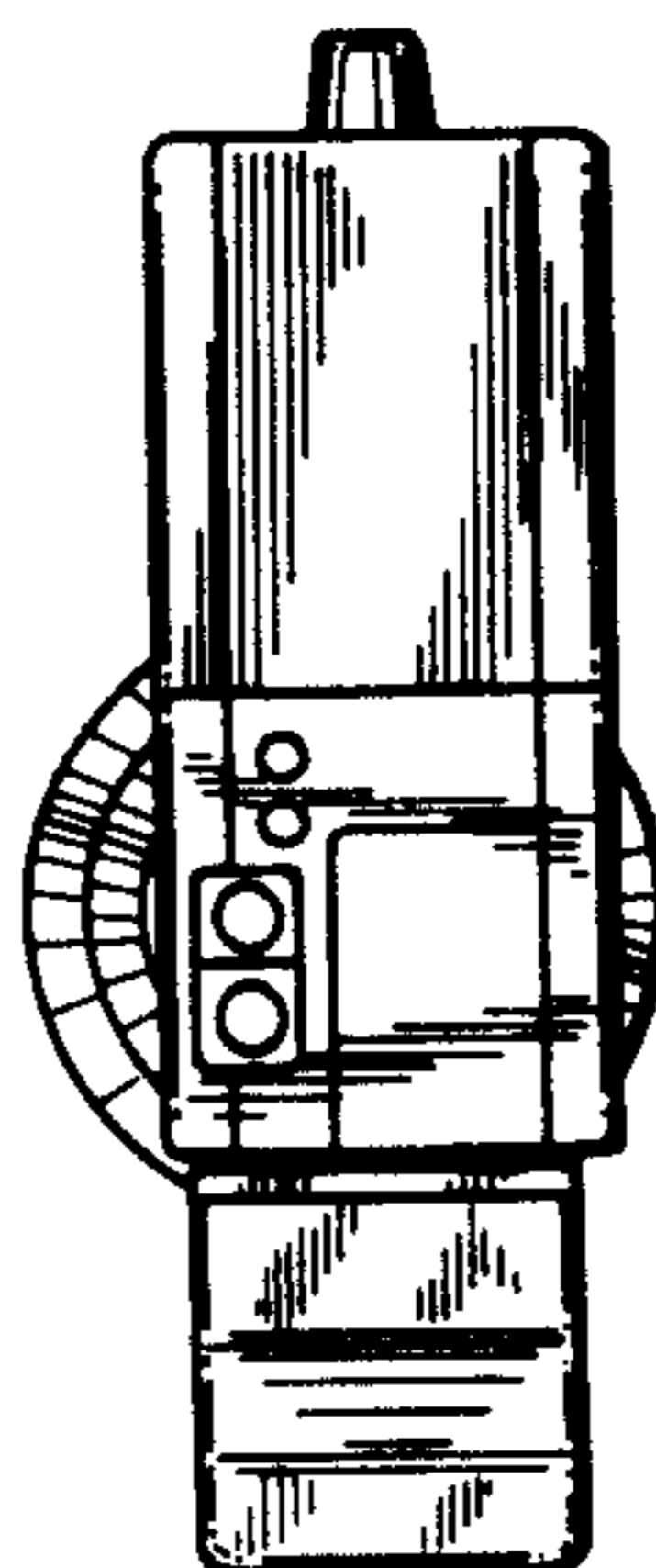


FIG. 7