

[54] COMBINED GAUGE AND MOUNTING BLOCK

2,360,705 10/1944 Moore D10/85 X
4,005,847 2/1977 Ekman 73/756

[76] Inventor: Aubrey L. Lewis, Rte. 1, Box 53L,
Frisco, Tex. 75034

Primary Examiner—Nelson C. Holtje
Attorney, Agent, or Firm—Hubbard, Thurman, Turner,
Tucker & Glaser

[**] Term: 14 Years

[57] CLAIM

[21] Appl. No.: 796,861

The ornamental design for a combined guage and mounting block, as shown and described.

[22] Filed: May 16, 1977

DESCRIPTION

[51] Int. Cl. D10—04

[52] U.S. Cl. D10/102; D10/85X

[58] Field of Search D10/46, 85, 94, 102;
D23/22, 40, 43, 45; 73/756, 732-740, 432

FIG. 1 is a top right front perspective view of a combined gauge and mounting block showing my new design;

FIG. 2 is a top plan view thereof;

FIG. 3 is a bottom plan view thereof;

FIG. 4 is a front elevational view thereof;

FIG. 5 is a left side elevational view thereof;

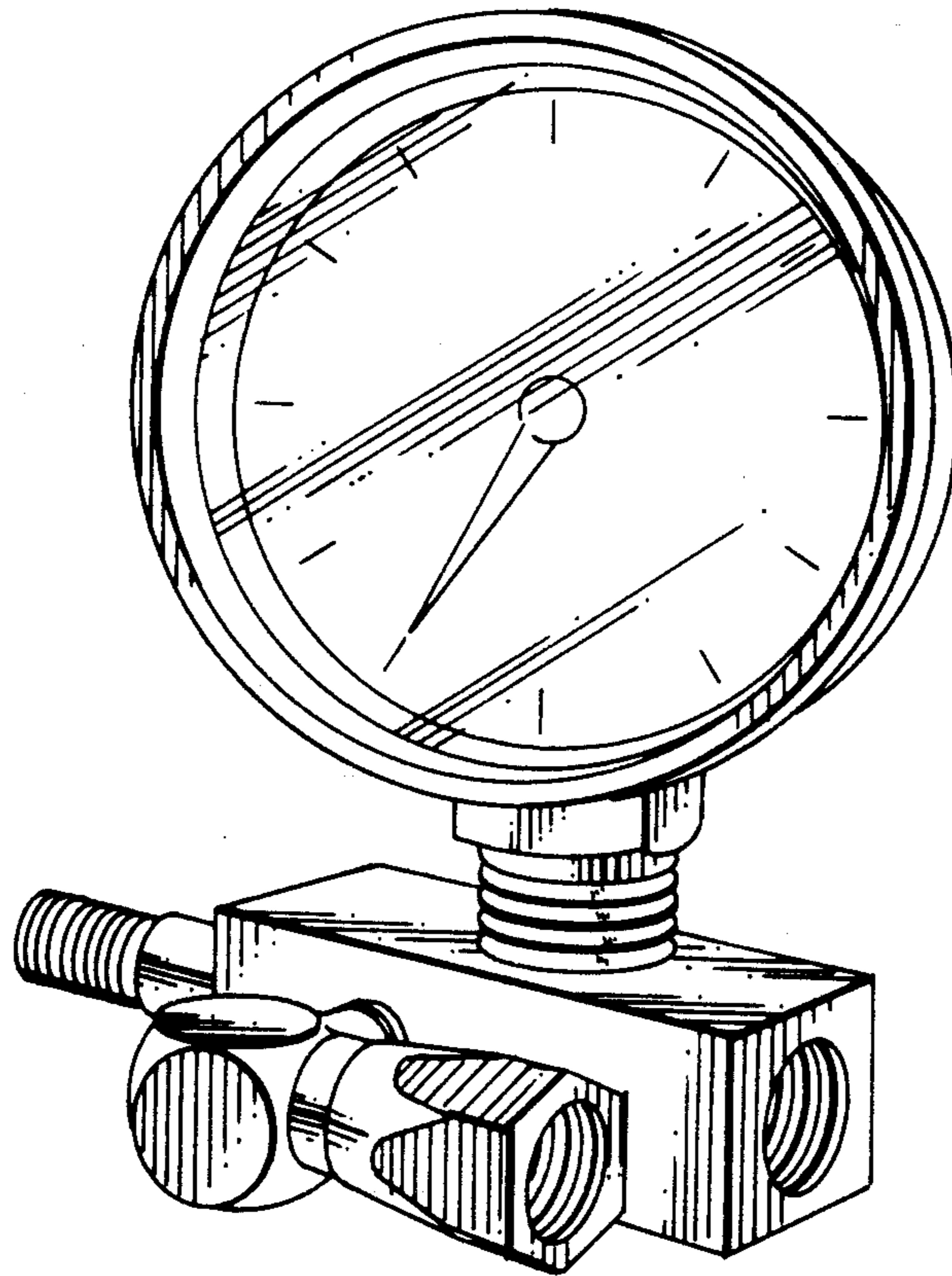
FIG. 6 is a rear elevational view thereof; and

FIG. 7 is a right side elevational view thereof.

[56] References Cited

U.S. PATENT DOCUMENTS

D. 192,939 5/1962 Blowers D10/85
D. 237,968 12/1975 Olson D23/40



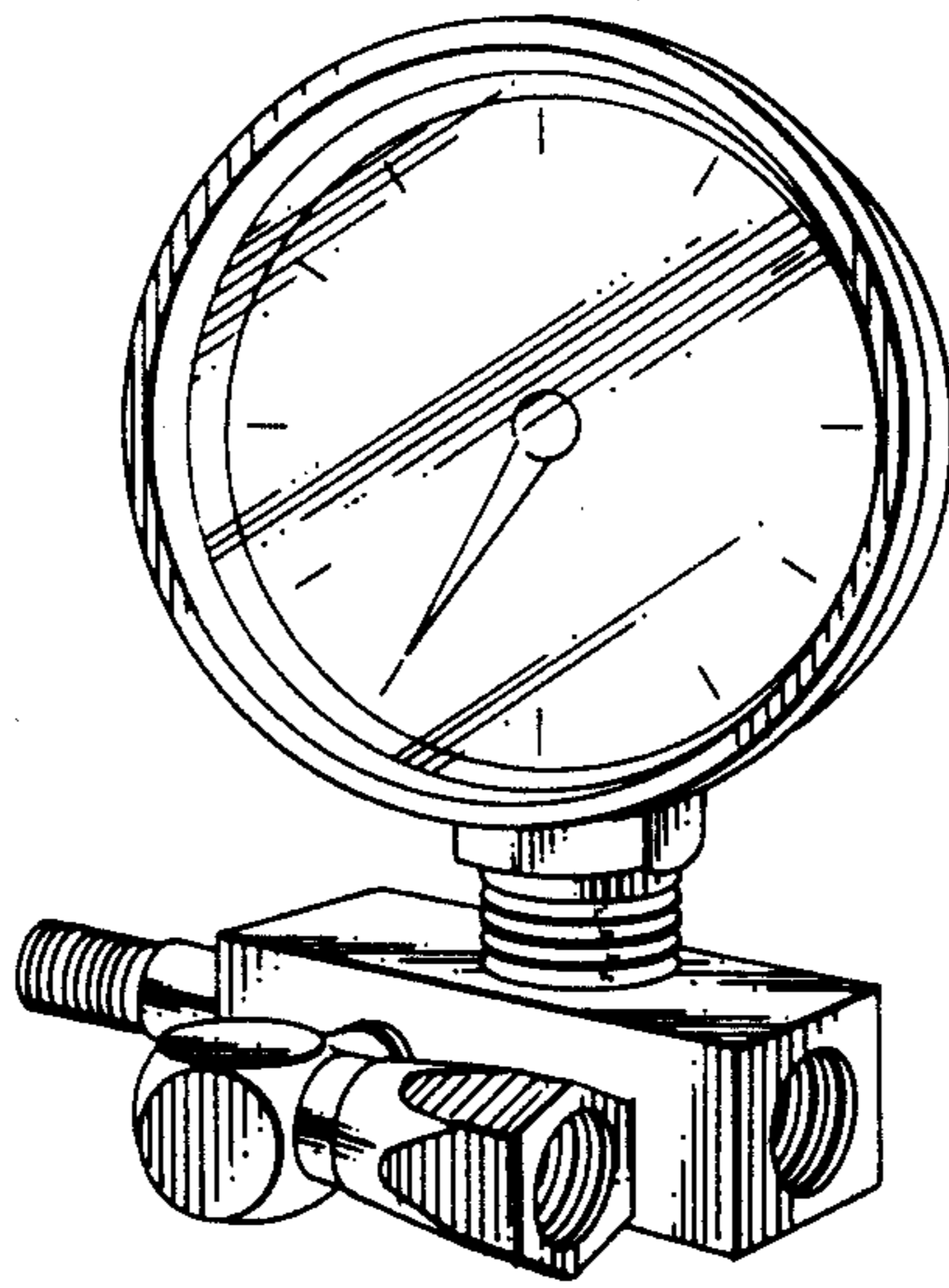


FIG. 1

FIG. 2

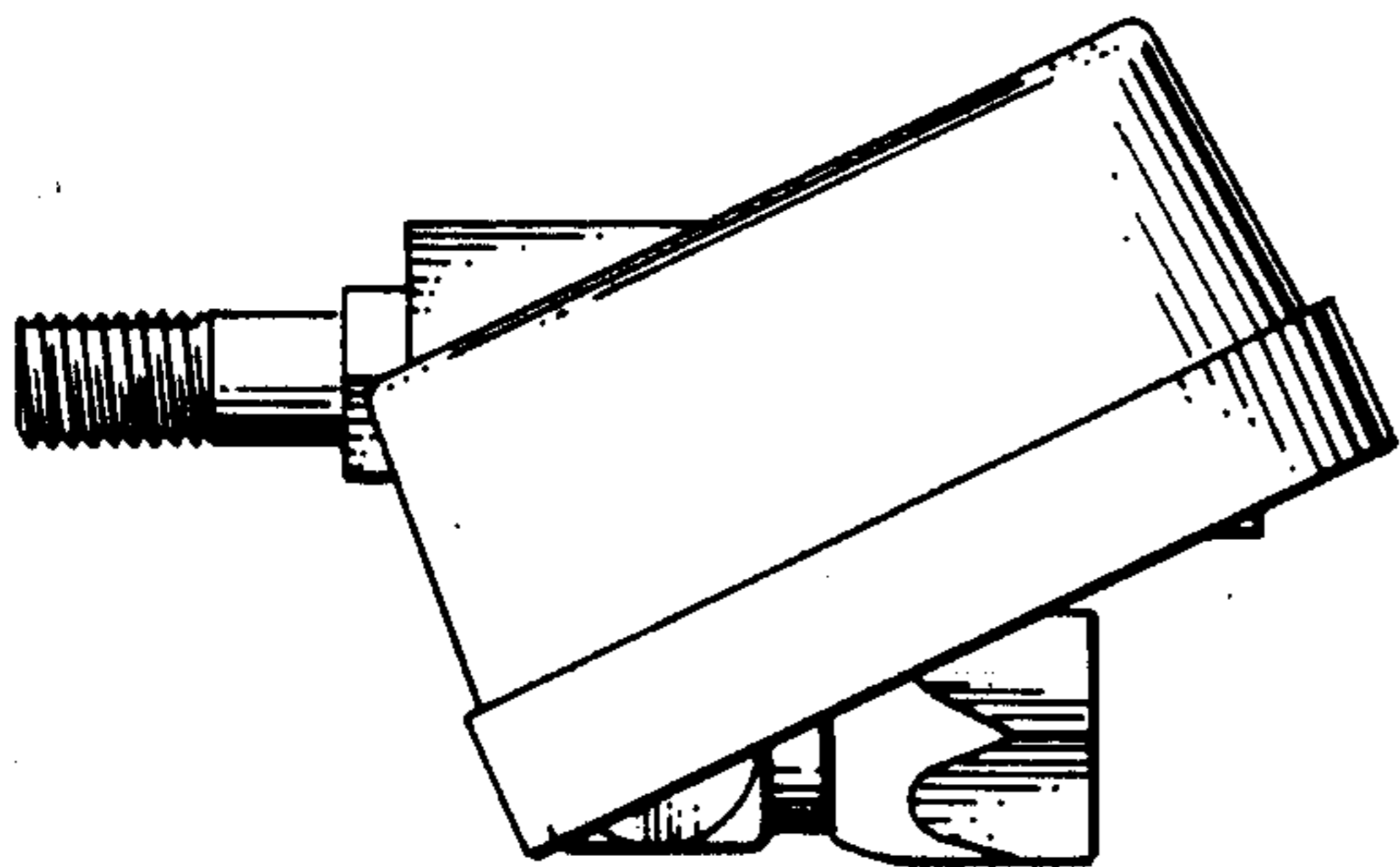
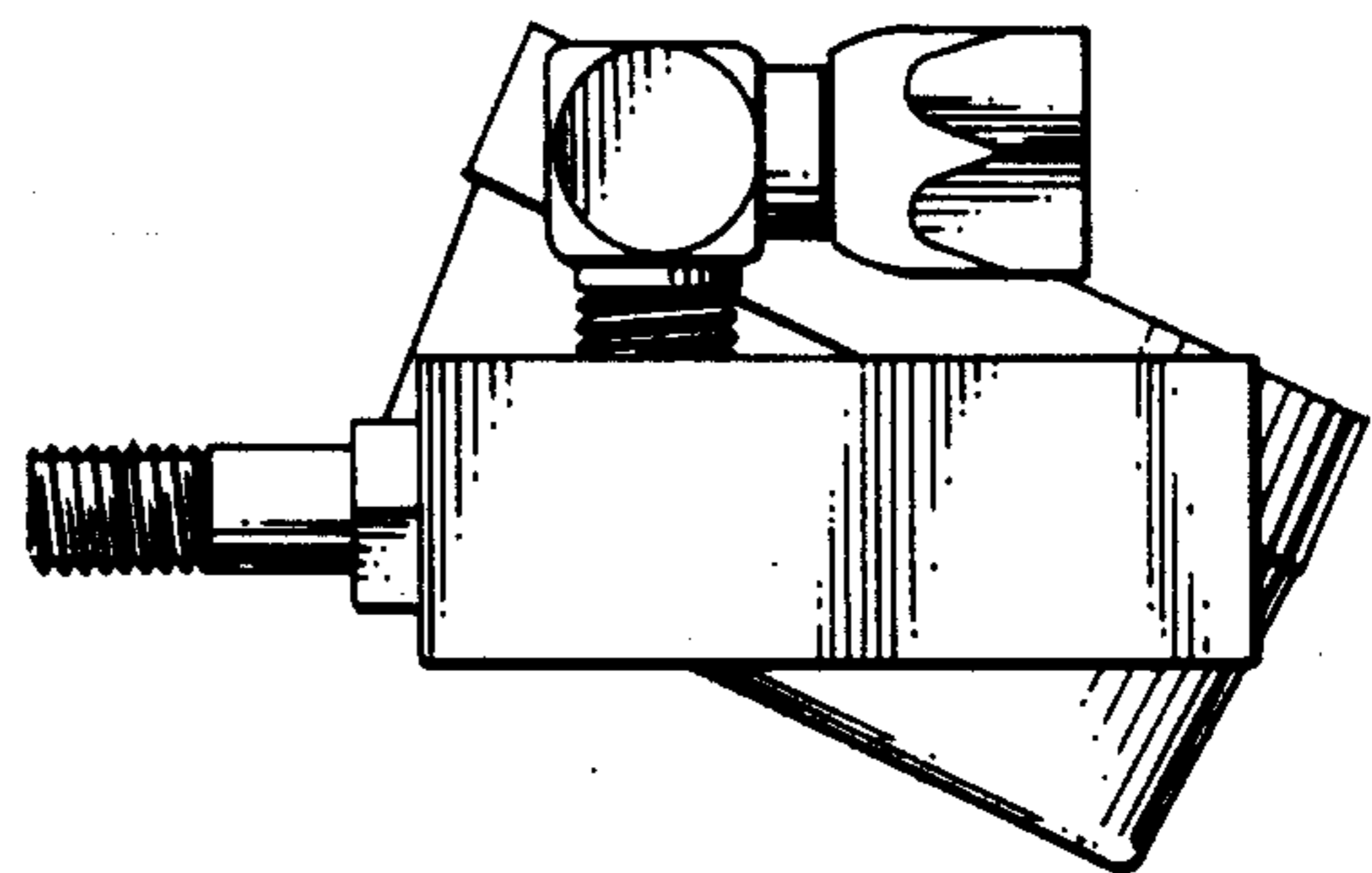


FIG. 3



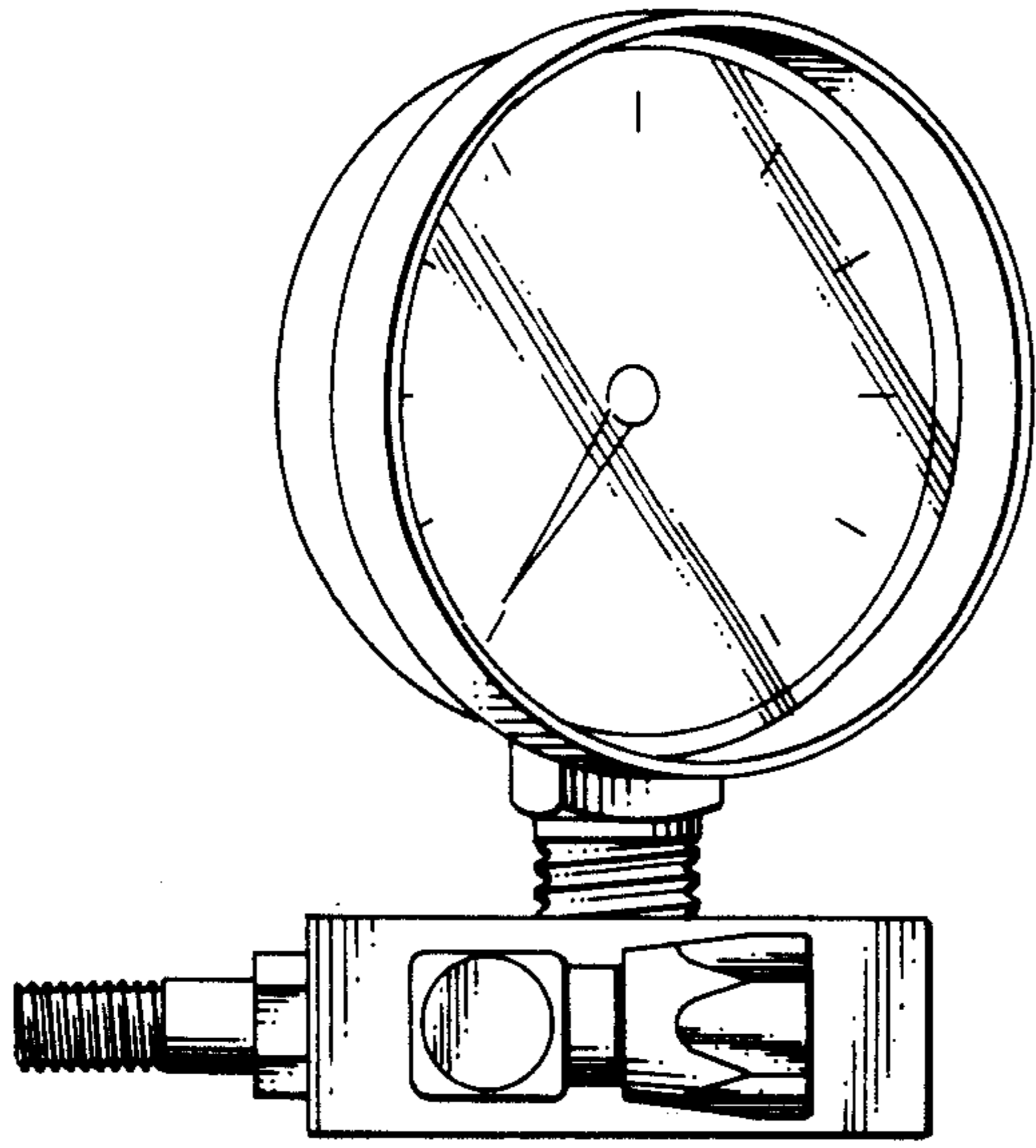


FIG. 4

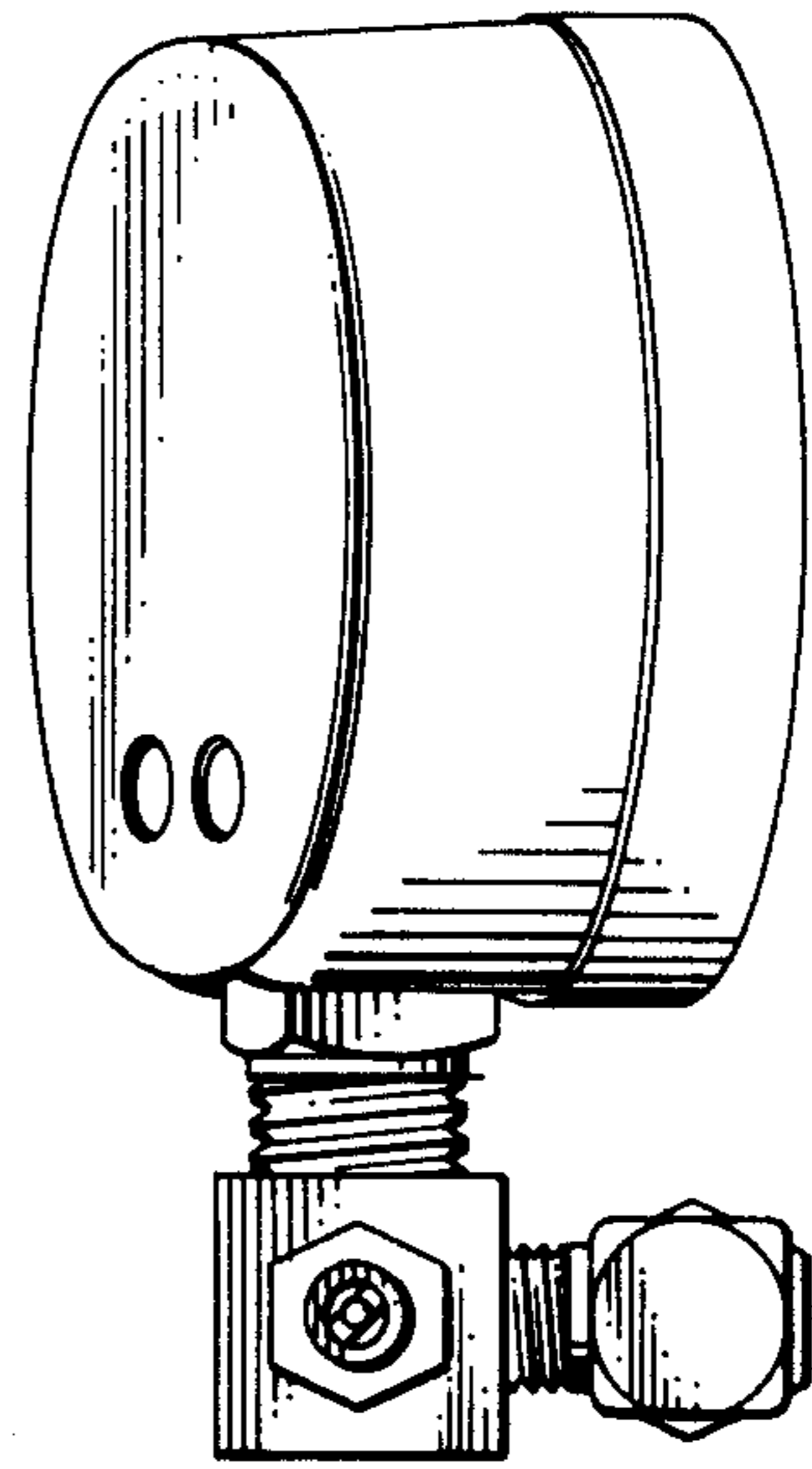


FIG. 5

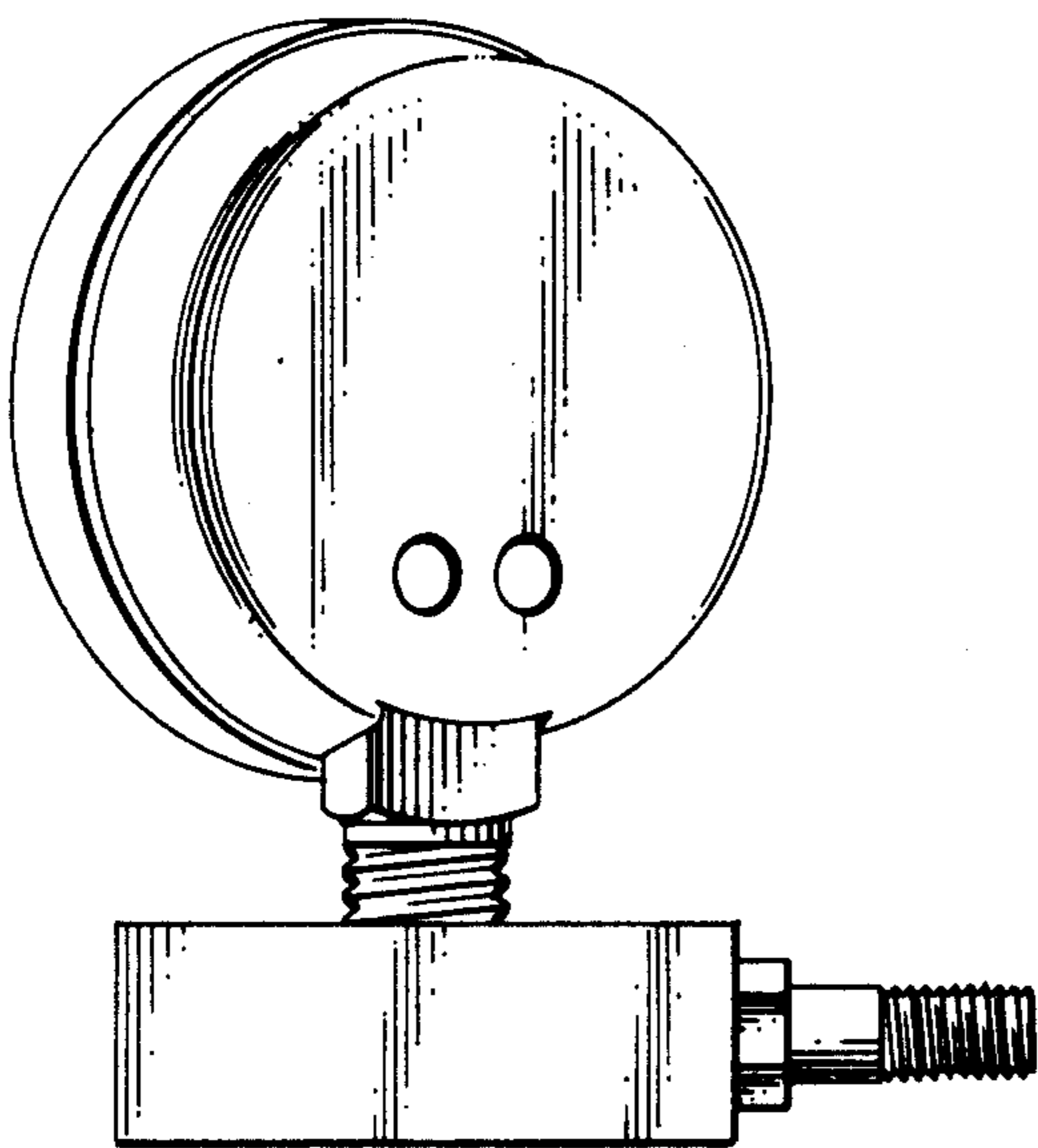


FIG. 6

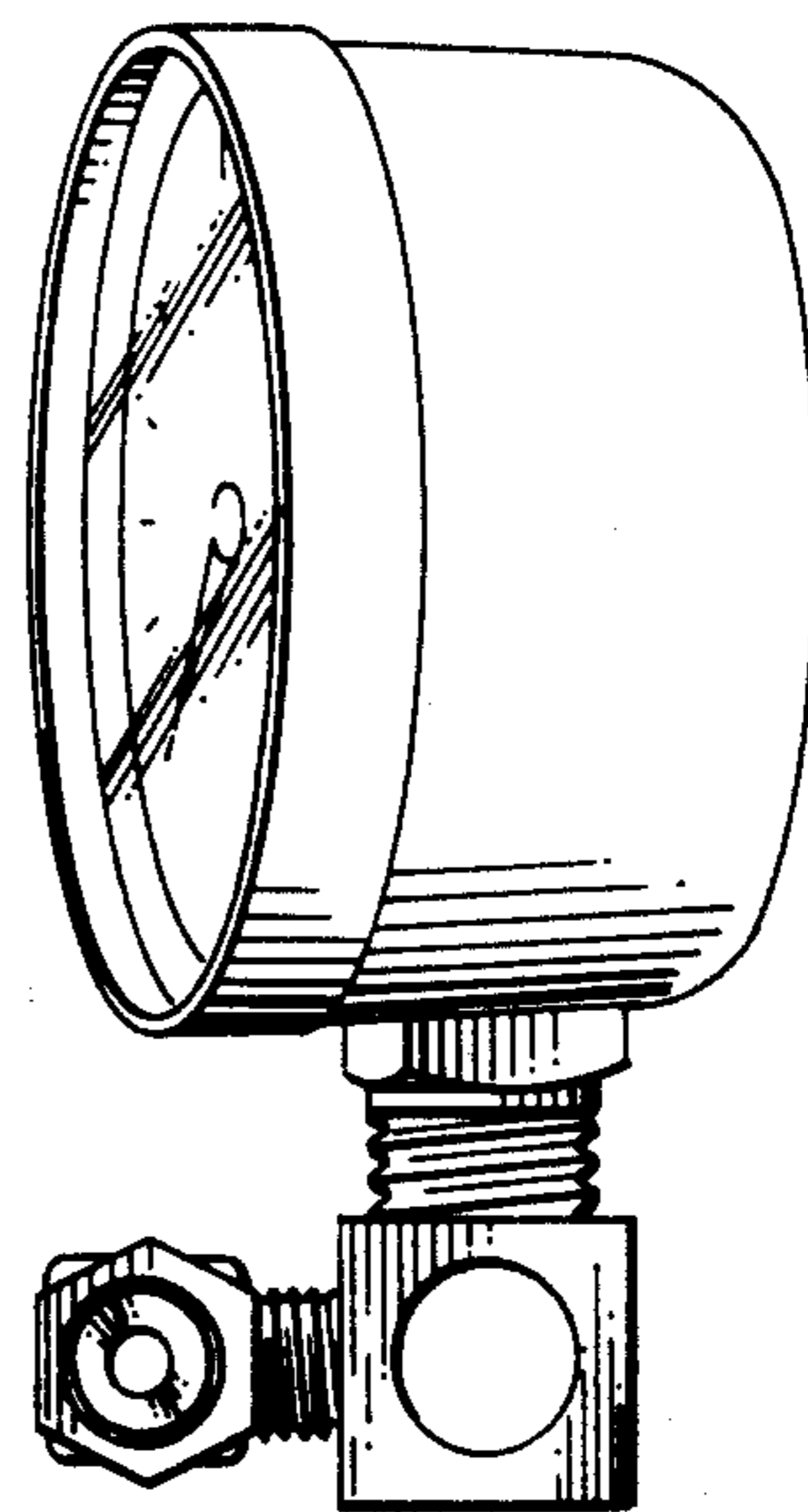


FIG. 7