

[54] BOTTLE

[75] Inventor: Roy Mantle, Norwich, England

[73] Assignee: Reckitt & Coleman Products Limited, London, England

[\*\*] Term: 14 Years

[21] Appl. No.: 833,313

[22] Filed: Sep. 14, 1977

[30] Foreign Application Priority Data

Mar. 16, 1977 [GB] United Kingdom ..... 979275/77

[51] Int. Cl. .... D9-01

[52] U.S. Cl. .... D9/53

[58] Field of Search ..... D9/38-53, D9/170, 59, 71, 254, 23, 275, 267, 284-287; 220/66, 69, 72, 70, 5 R, 83, 94 A; 206/442

[56]

References Cited

U.S. PATENT DOCUMENTS

D. 20,629	3/1891	Coleman, Jr. ....	D9/23
D. 205,166	6/1966	Price .....	D9/53
D. 209,933	1/1968	Wilson .....	D9/275
D. 251,110	2/1979	Braun .....	D9/54 X
3,940,011	2/1976	Dubois et al. ....	220/66

FOREIGN PATENT DOCUMENTS

1146360	5/1957	France .....	206/442
---------	--------	--------------	---------

Primary Examiner—Robert C. Spangler  
Attorney, Agent, or Firm—William A. Drucker

[57]

CLAIM

The ornamental design for a bottle, as shown.

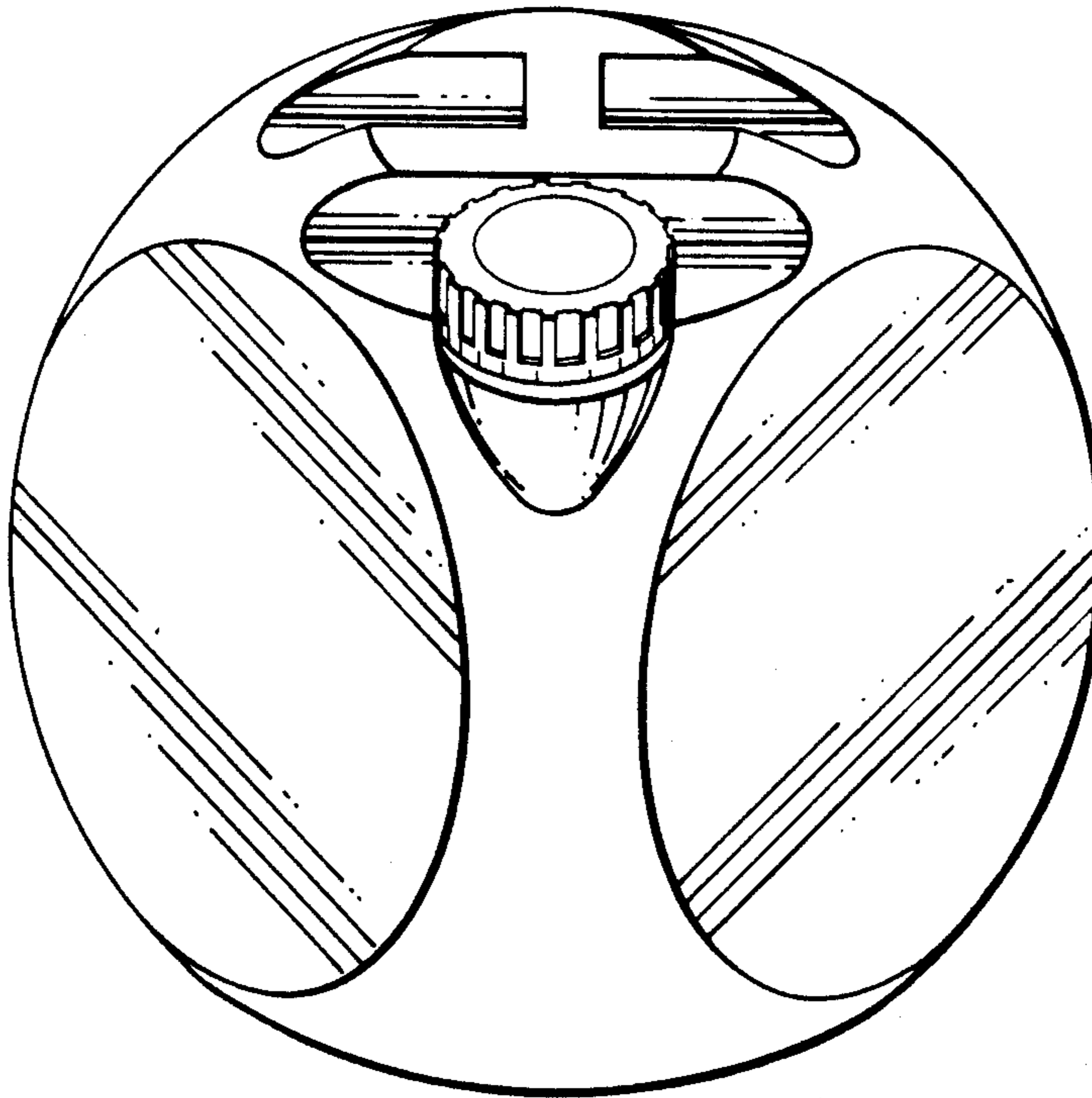
DESCRIPTION

FIG. 1 is a top perspective view of a bottle showing my new design;

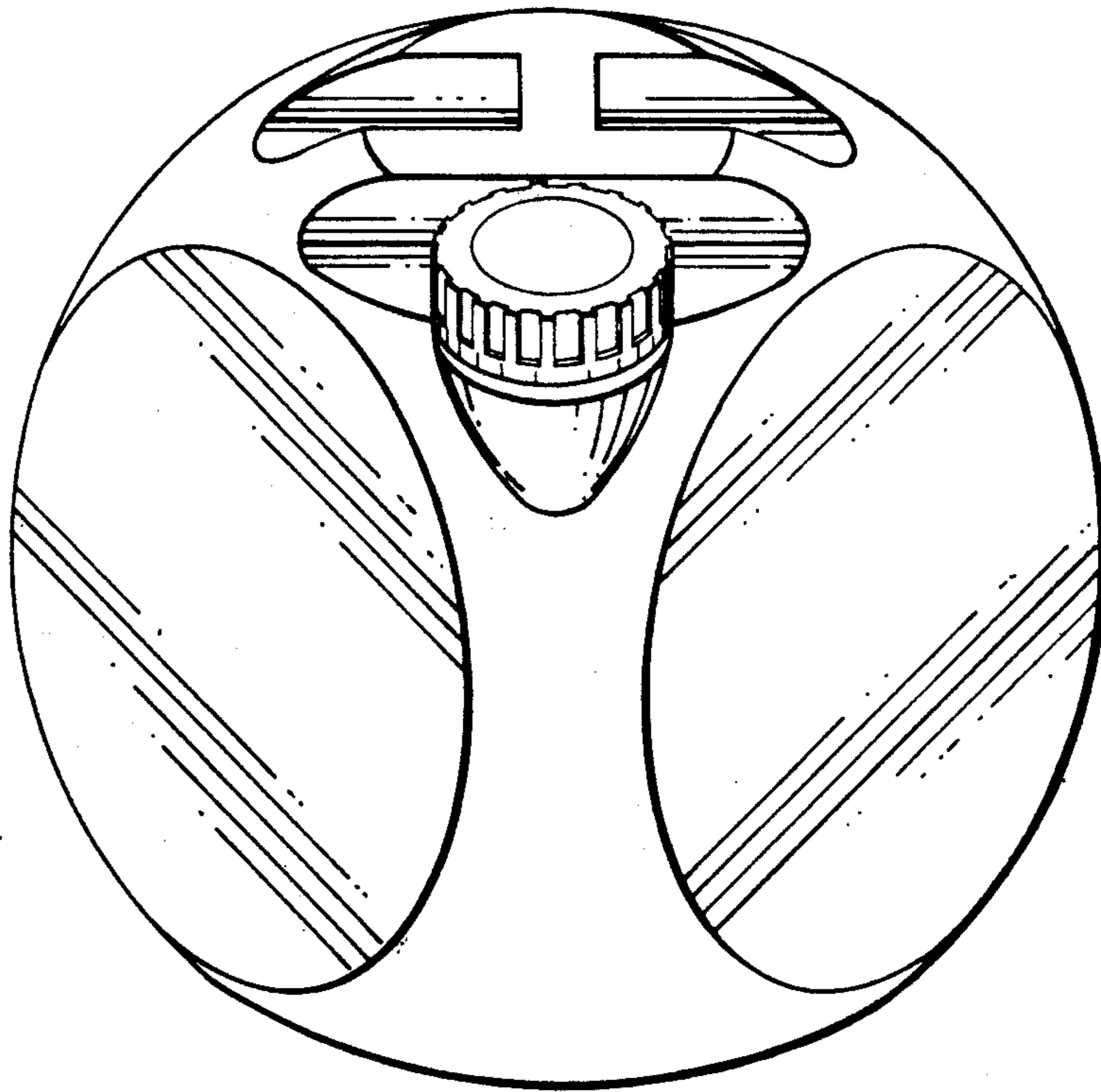
FIG. 2 is a top plan view;

FIG. 3 is a view taken in the direction shown by arrow 3 in FIG. 2; and

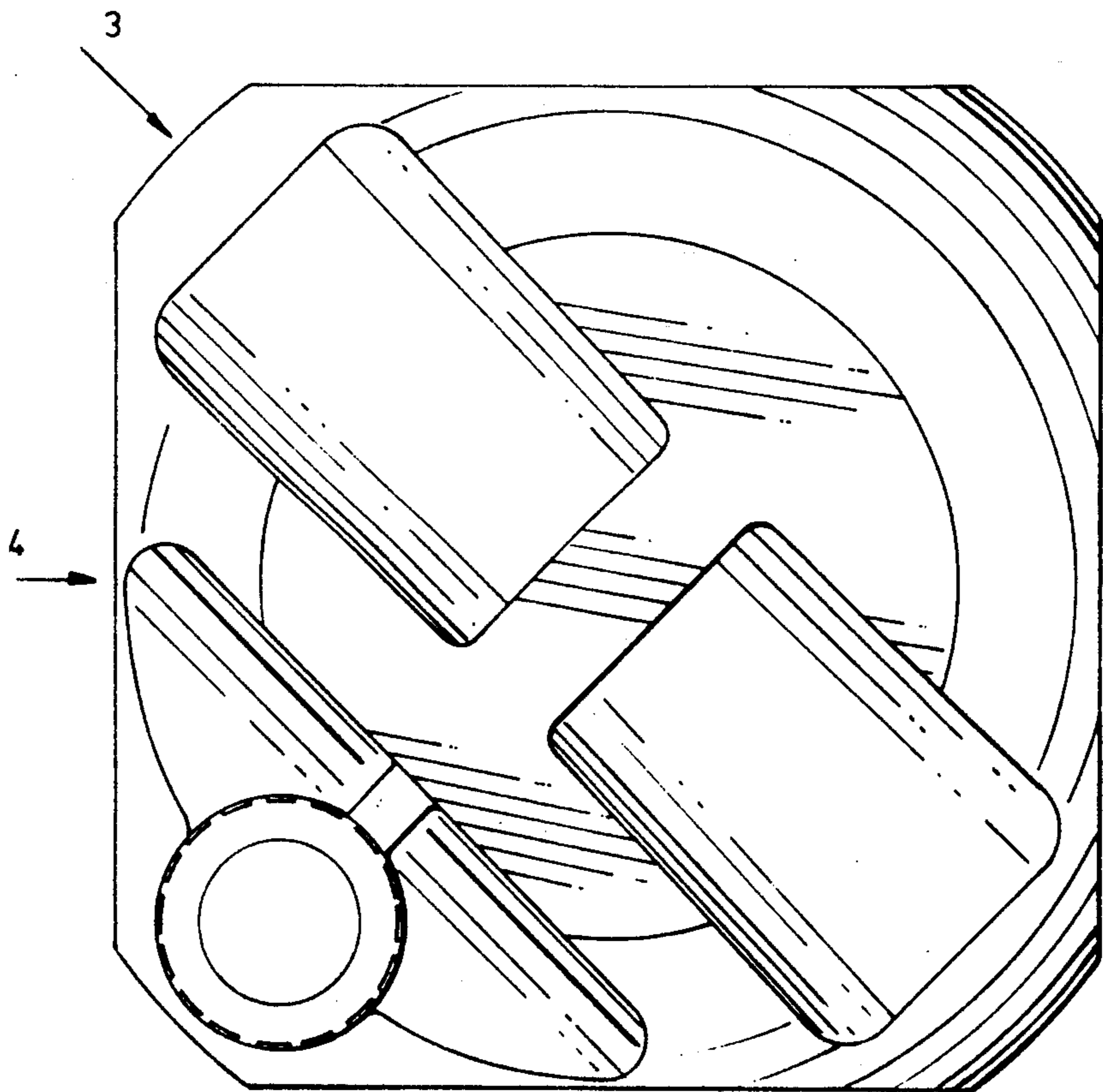
FIG. 4 is a view taken in the direction of arrow 4 of FIG. 2.



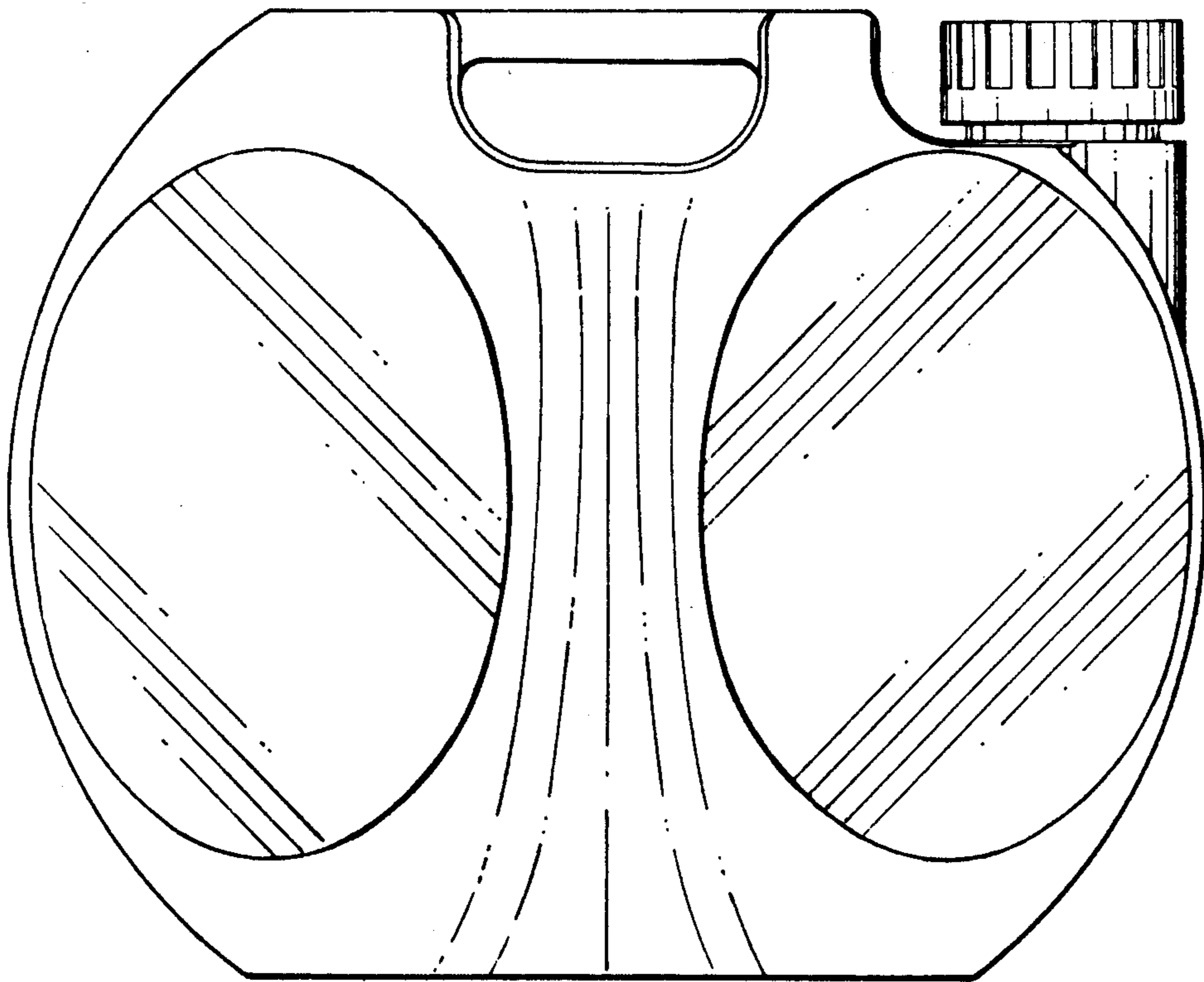
—FIG. 1.—



—FIG. 2.—



·-FIG. 3.-·



—FIG. 4.—

