

[54] SLICER FOR HALVING FRUIT

[75] Inventor: Peter Ackeret, Küssnacht, Switzerland

[73] Assignee: Zyliss Zysset AG, Lyss, Switzerland

[\*\*] Term: 14 Years

[21] Appl. No.: 764,153

[22] Filed: Feb. 2, 1977

|           |         |         |            |
|-----------|---------|---------|------------|
| 909,145   | 1/1909  | Brunson | 30/124 X   |
| 1,473,383 | 11/1923 | Riker   | 30/296 R X |
| 2,810,416 | 10/1957 | Russell | 30/124 X   |
| 4,083,108 | 4/1978  | Ackeret | 30/124     |

Primary Examiner—Winifred E. Herrmann  
 Attorney, Agent, or Firm—H. Dale Palmatier

[57] CLAIM

The ornamental design for a slicer for halving fruit, as shown, and described.

DESCRIPTION

FIG. 1 is a perspective view of a slicer for halving fruit, showing my new design;  
 FIG. 2 is a side elevational view thereof, the side opposite being a mirror image;  
 FIG. 3 is a top plan view thereof;  
 FIG. 4 is an end elevational view thereof in the direction of line IV of FIG. 1, and  
 FIG. 5 is an end elevational view thereof in the direction of line V of FIG. 1.  
 The bottom, which has not been shown, is plain and unornamented, except for the presence of four feet.

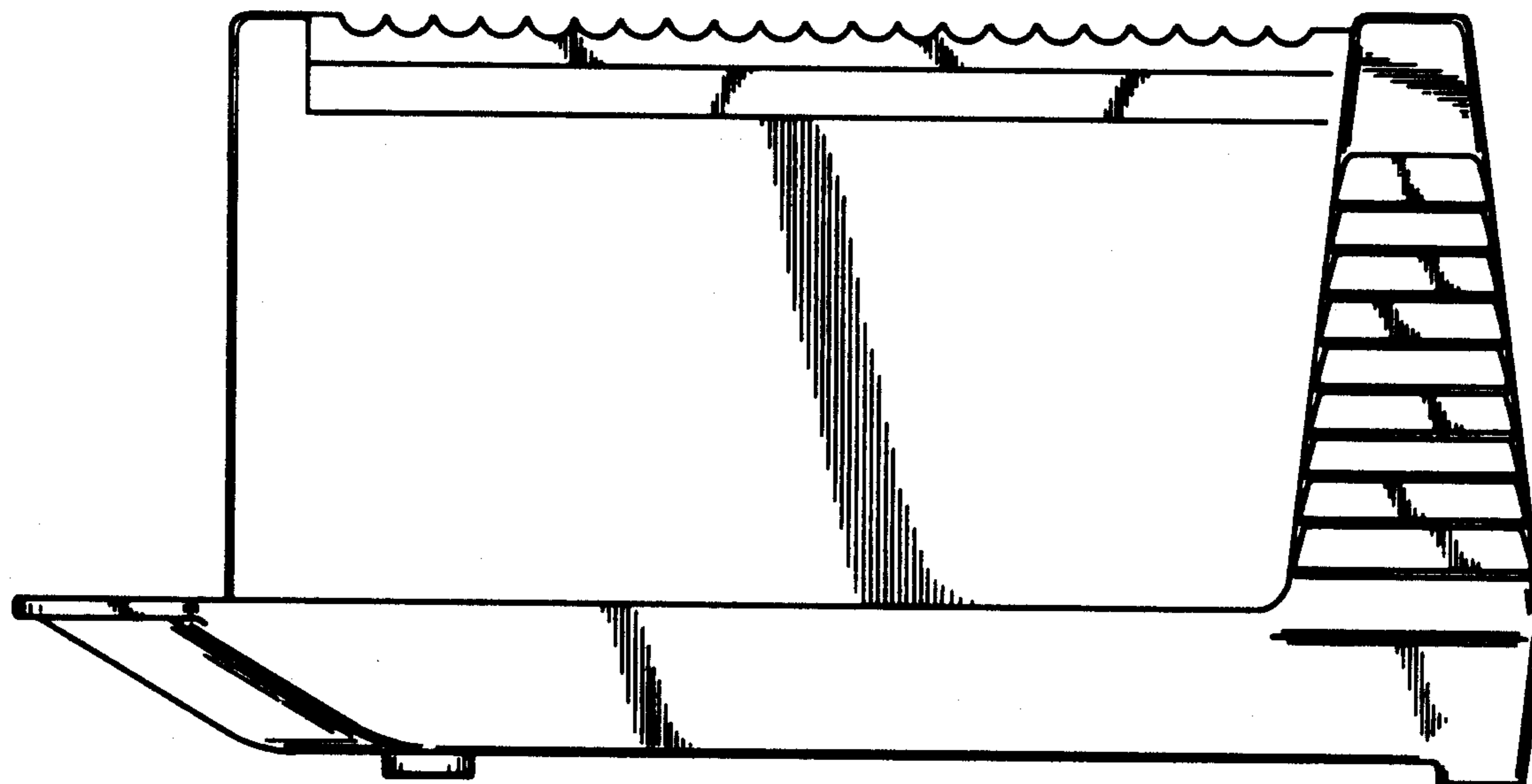
[30] Foreign Application Priority Data  
 Dec. 31, 1976 [IT] Italy ..... 53775/76[U]

[51] Int. Cl. .... D7-04

[52] U.S. Cl. .... D7/43; D7/106

[58] Field of Search ..... 30/124, 296 R; D7/43, D7/106

[56] References Cited  
 U.S. PATENT DOCUMENTS  
 D. 59,691 11/1921 Sprader ..... D7/43



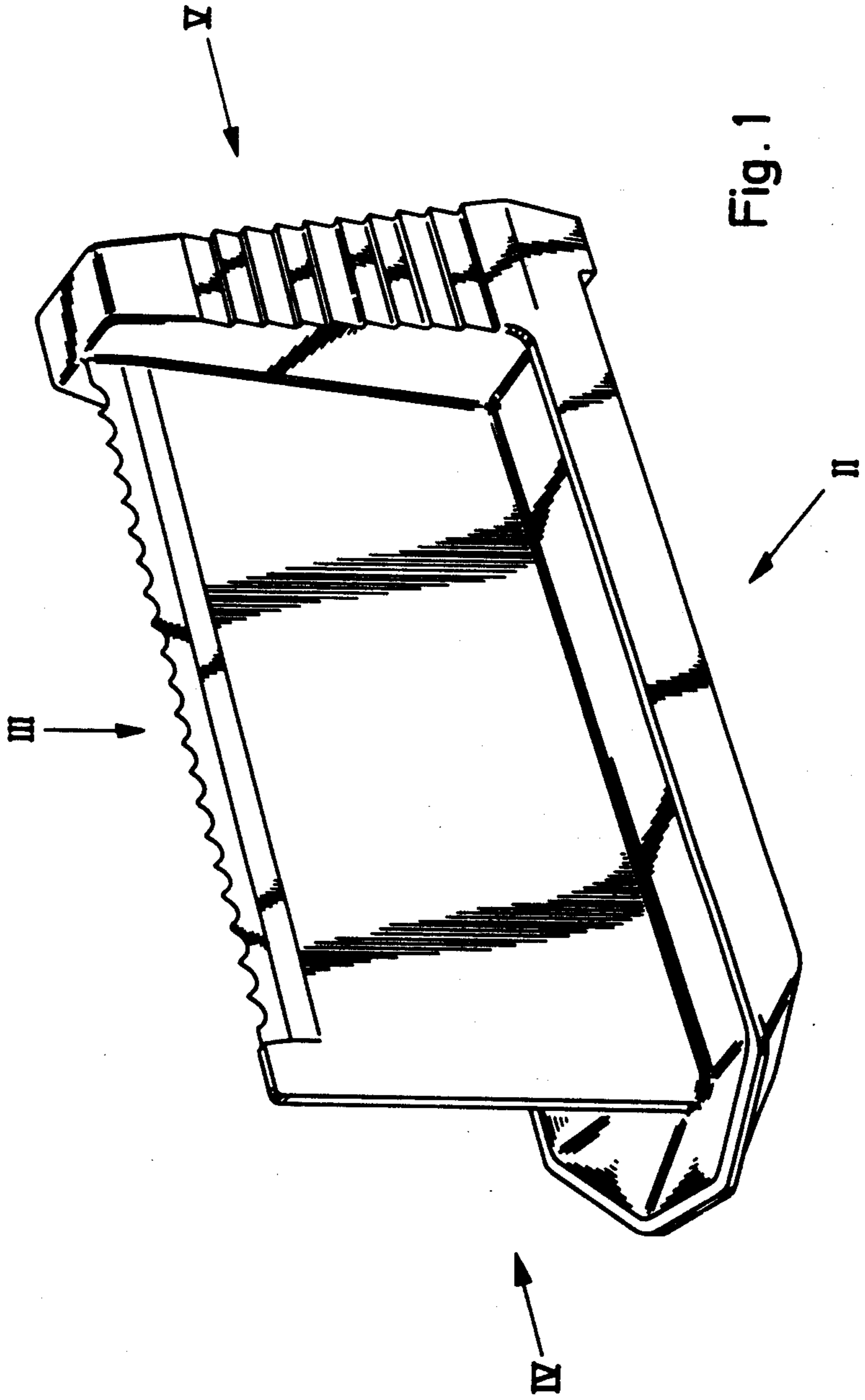


Fig. 4

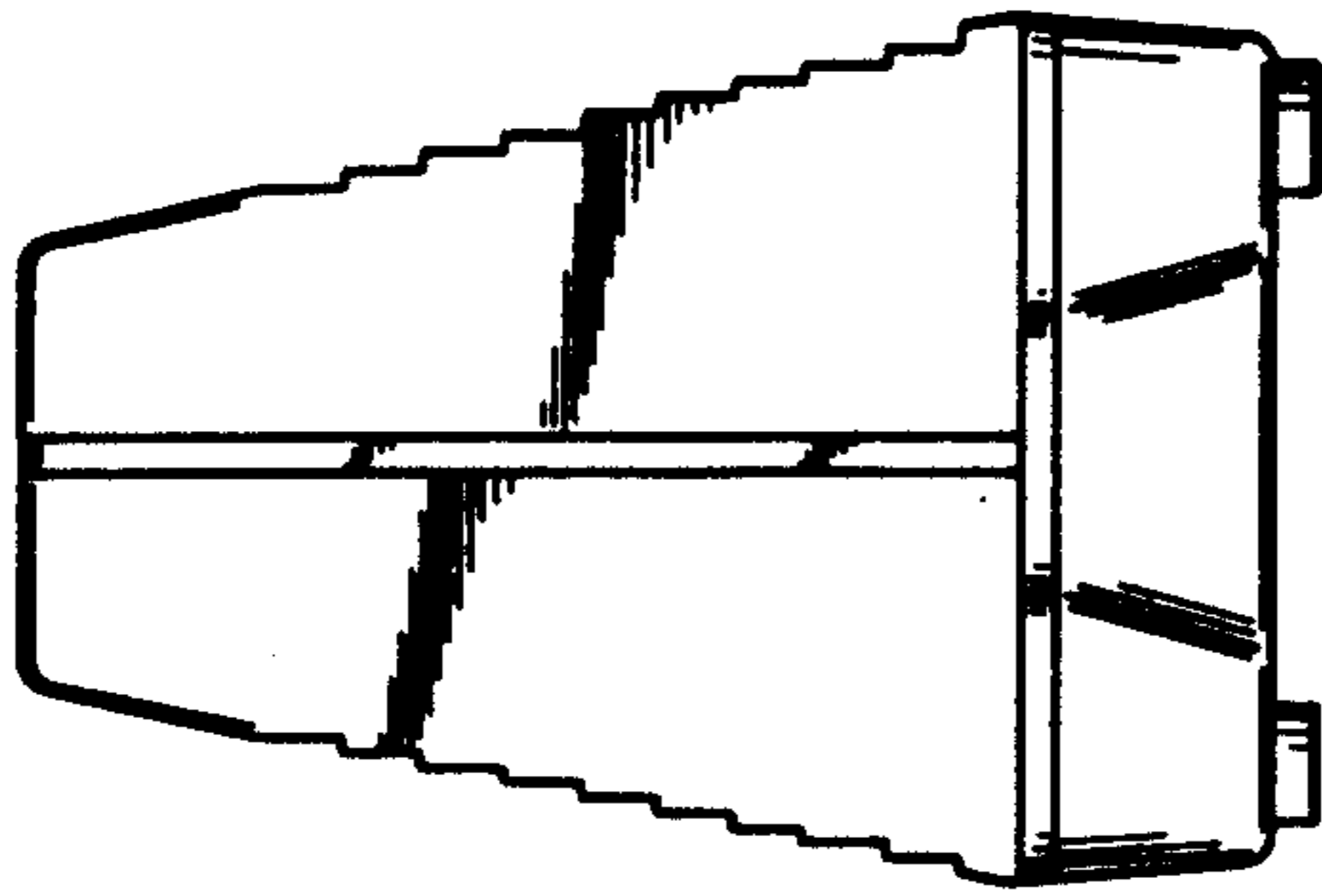


Fig. 2

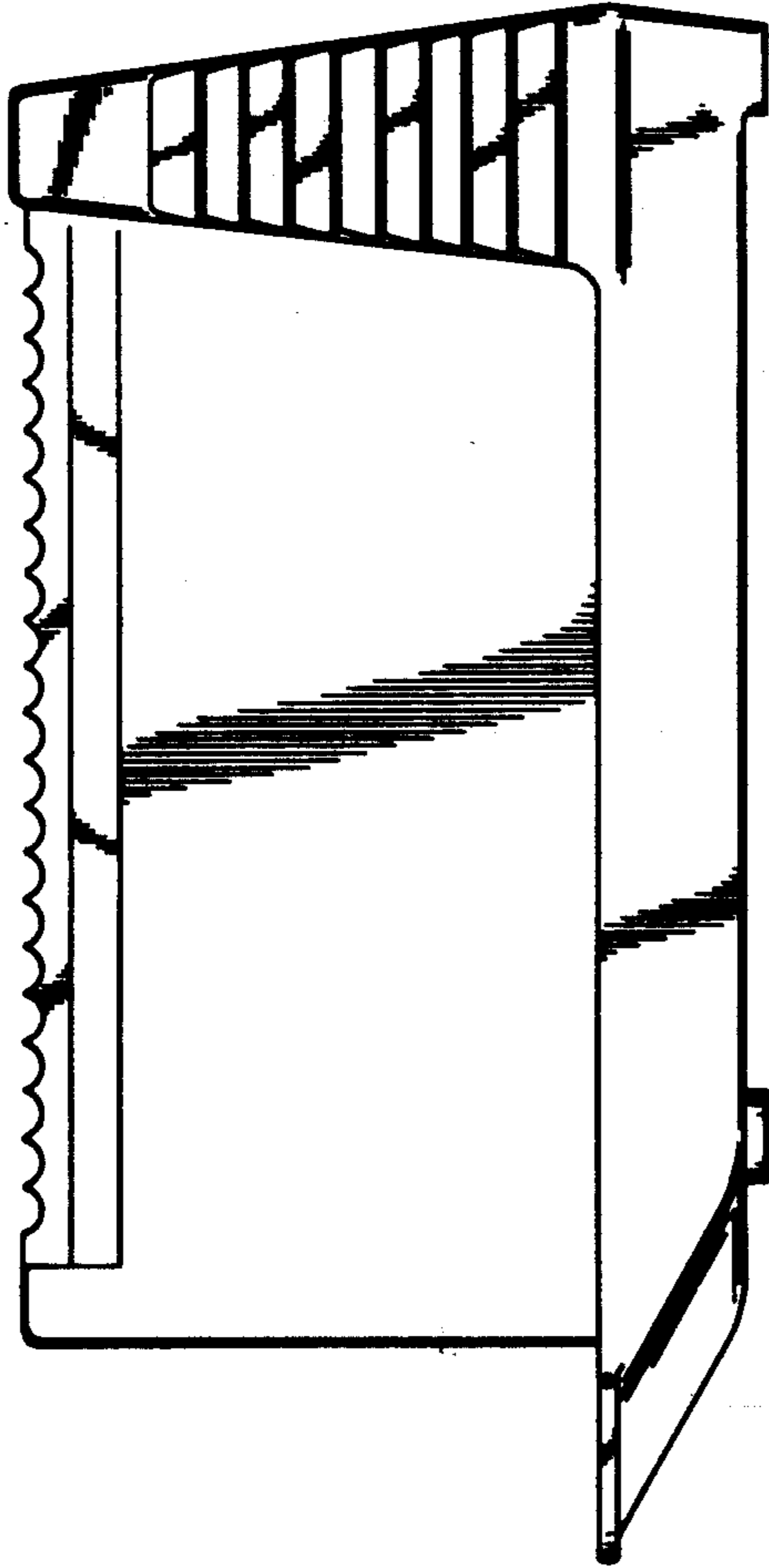


Fig. 5

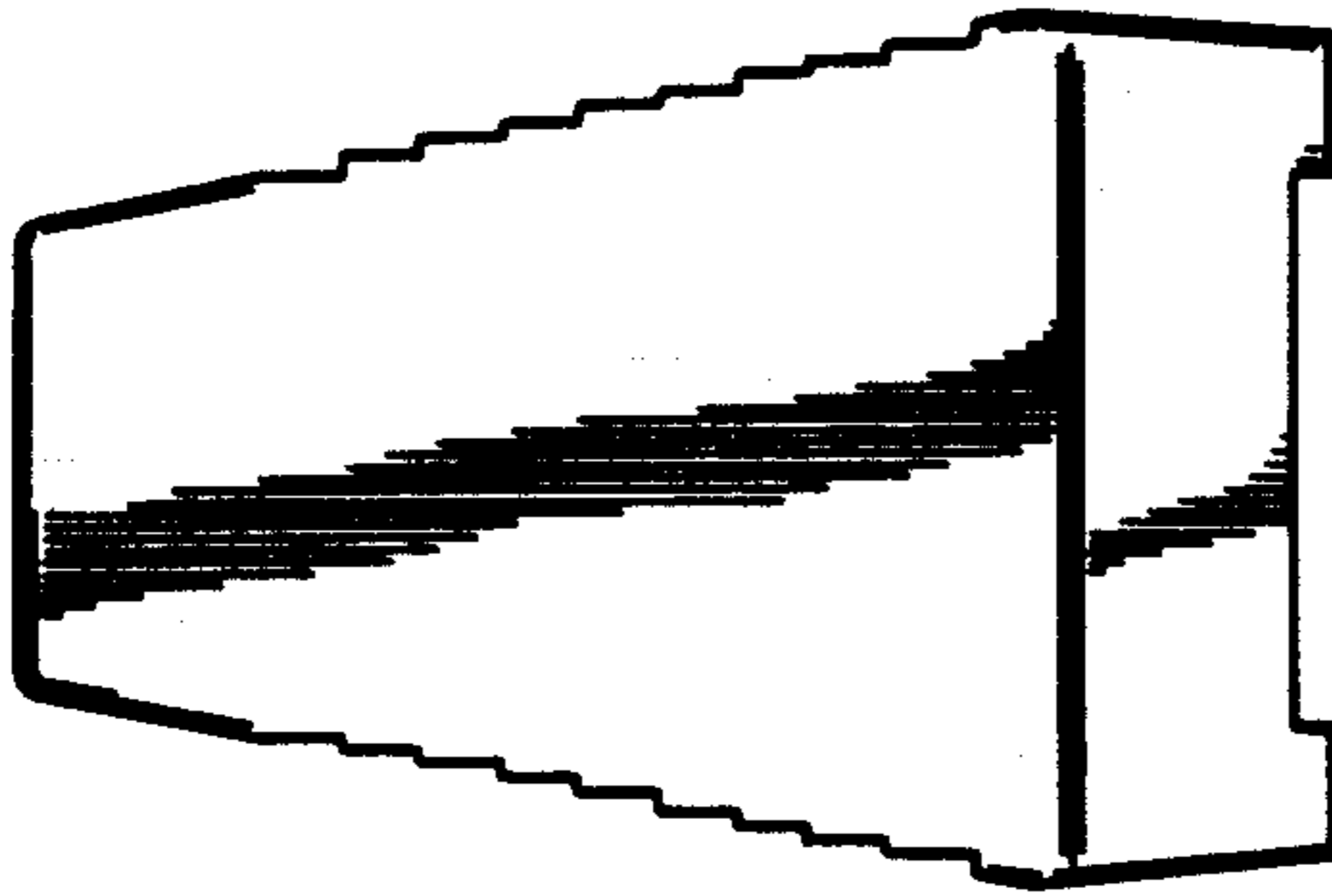


Fig. 3

