

[54] FOOD BOWL OR THE LIKE

[76] Inventor: Alvin Gruber, 2215 Disston St., Philadelphia, Pa. 19149

[**] Term: 14 Years

[21] Appl. No.: 848,820

[22] Filed: Nov. 7, 1977

[51] Int. Cl. D7-01

[52] U.S. Cl. D7/4; D7/22; D7/27; D23/13

[58] Field of Search D7/4, 2, 22, 23, 27; D23/13

[56] References Cited

U.S. PATENT DOCUMENTS

- D. 57,824 5/1921 Crowell D7/22
- D. 182,725 5/1958 Kaufmann D23/13

- D. 211,686 7/1968 Pontrelli D23/13
- D. 221,337 8/1971 Price D23/13
- D. 221,650 8/1971 Gruber D23/13
- D. 229,387 11/1973 Gruber D7/61
- 3,713,583 1/1973 Gruber D7/4 X

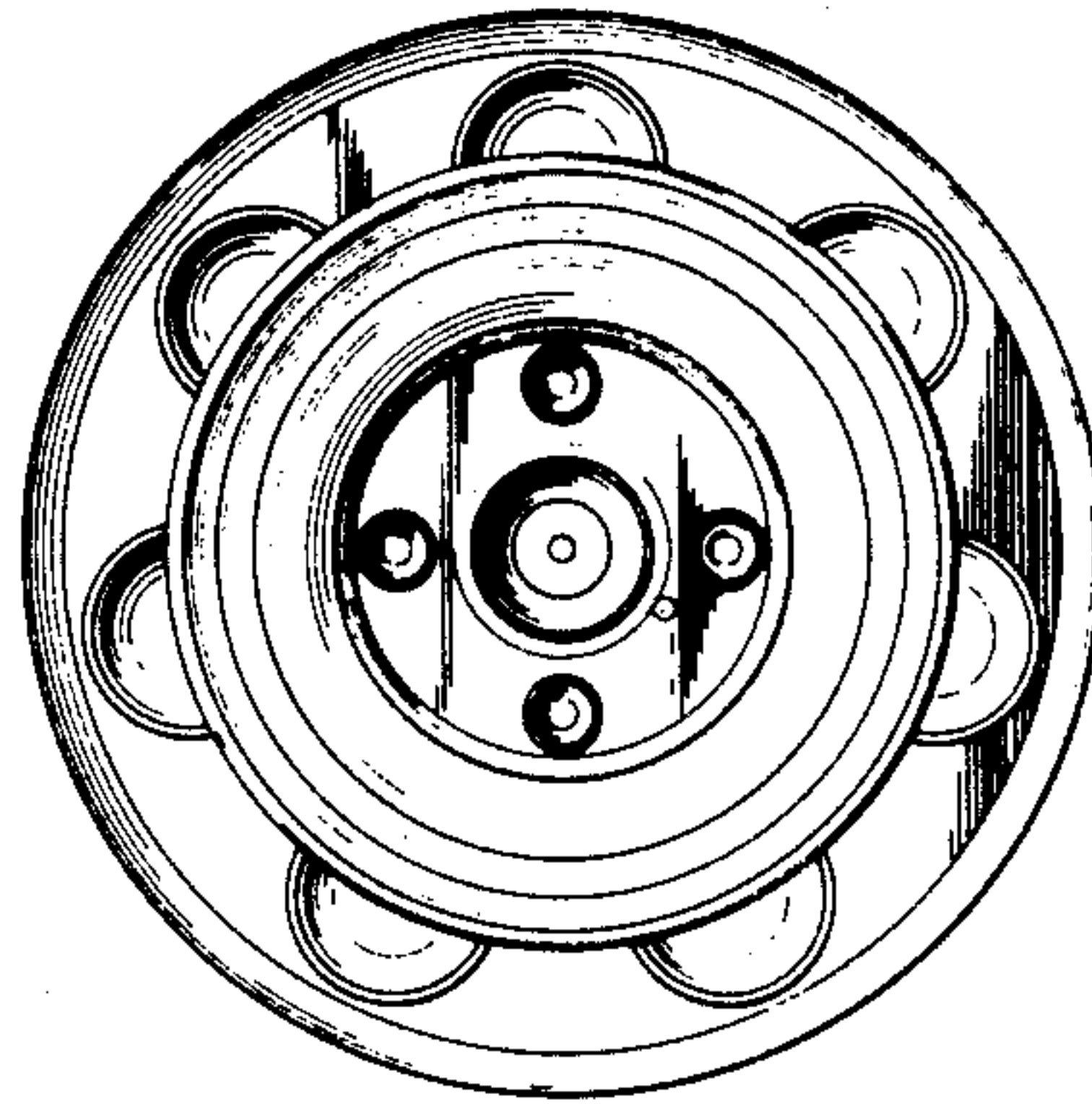
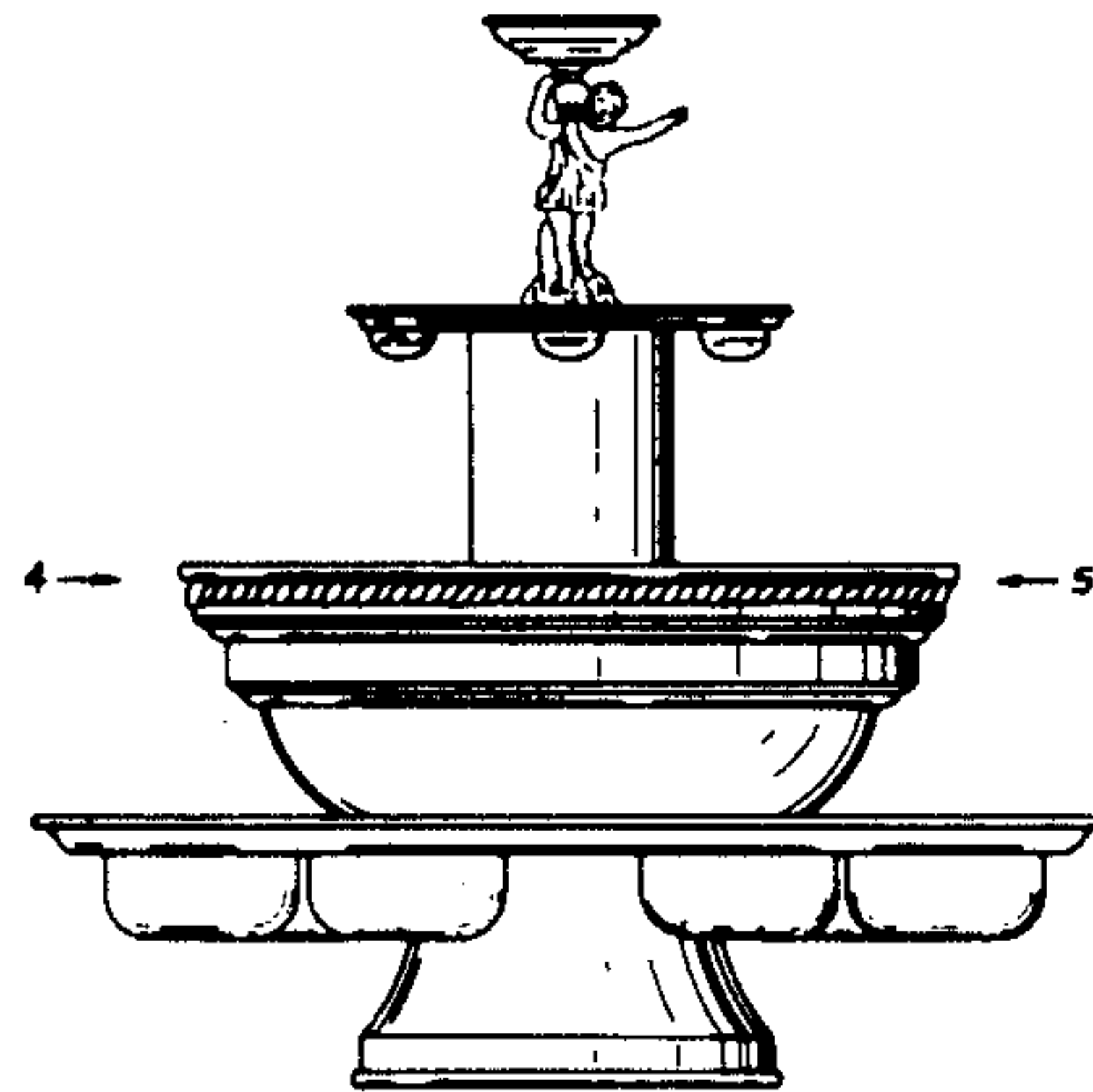
Primary Examiner—Winifred E. Herrmann
Attorney, Agent, or Firm—Jacob Trachtman

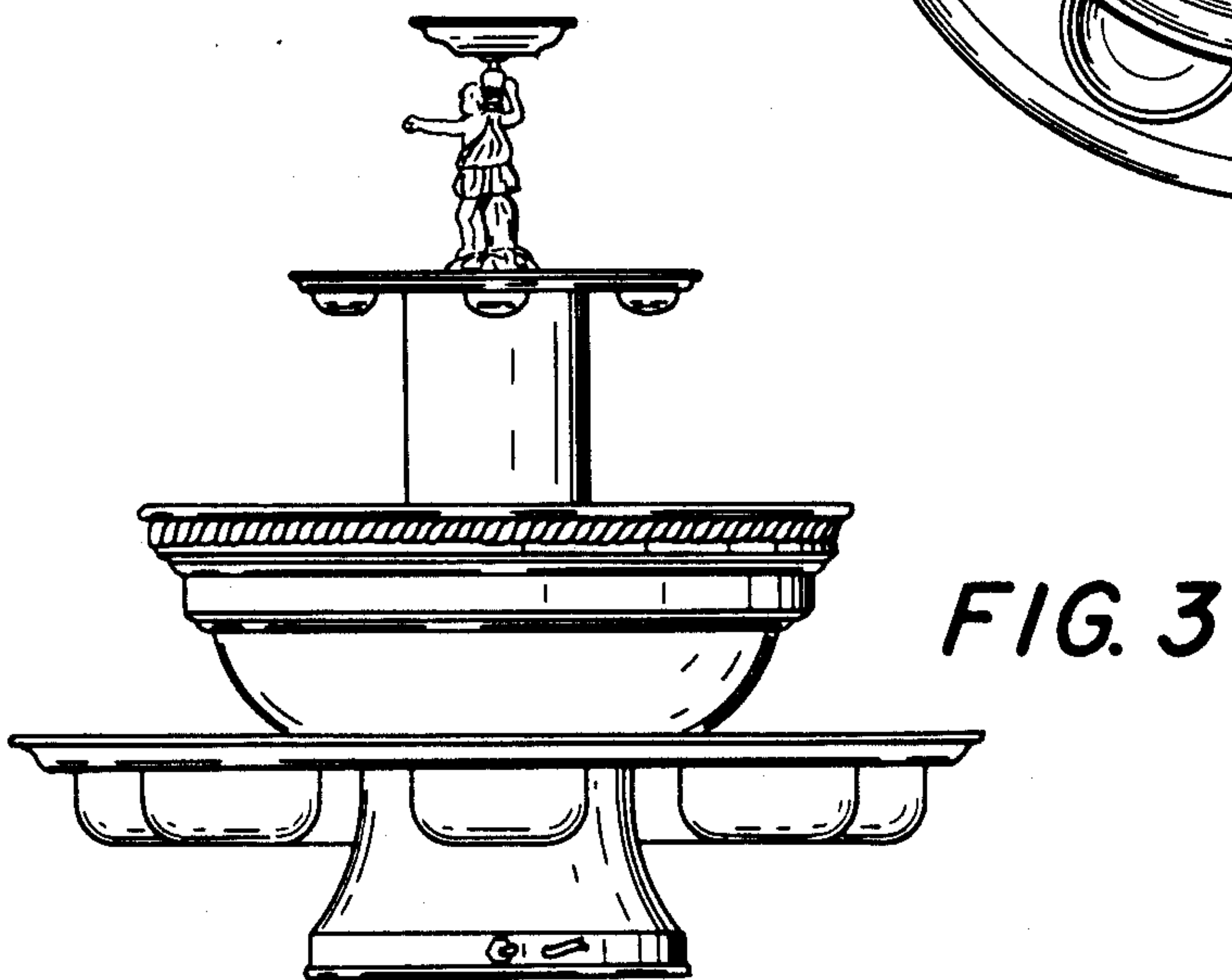
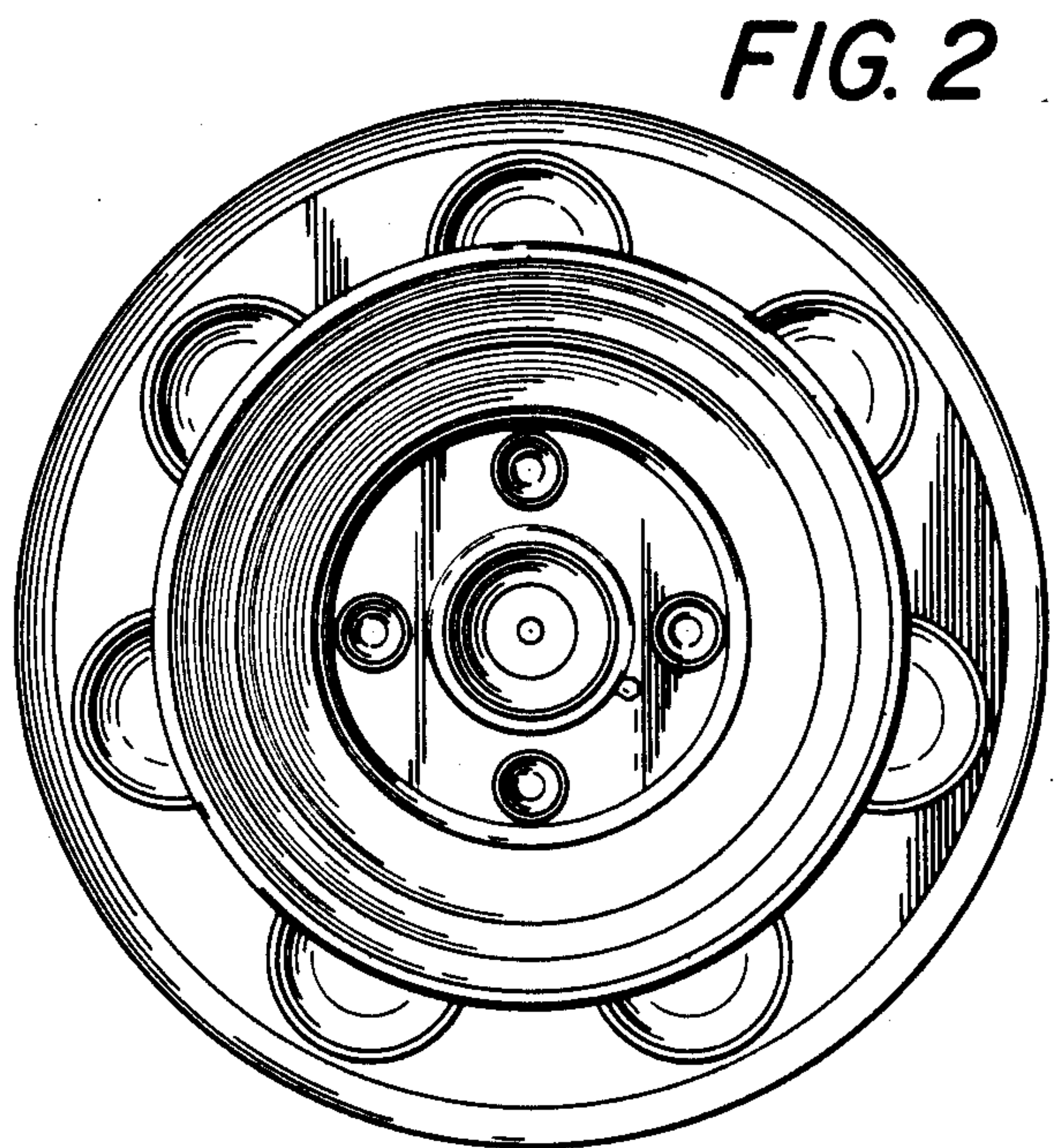
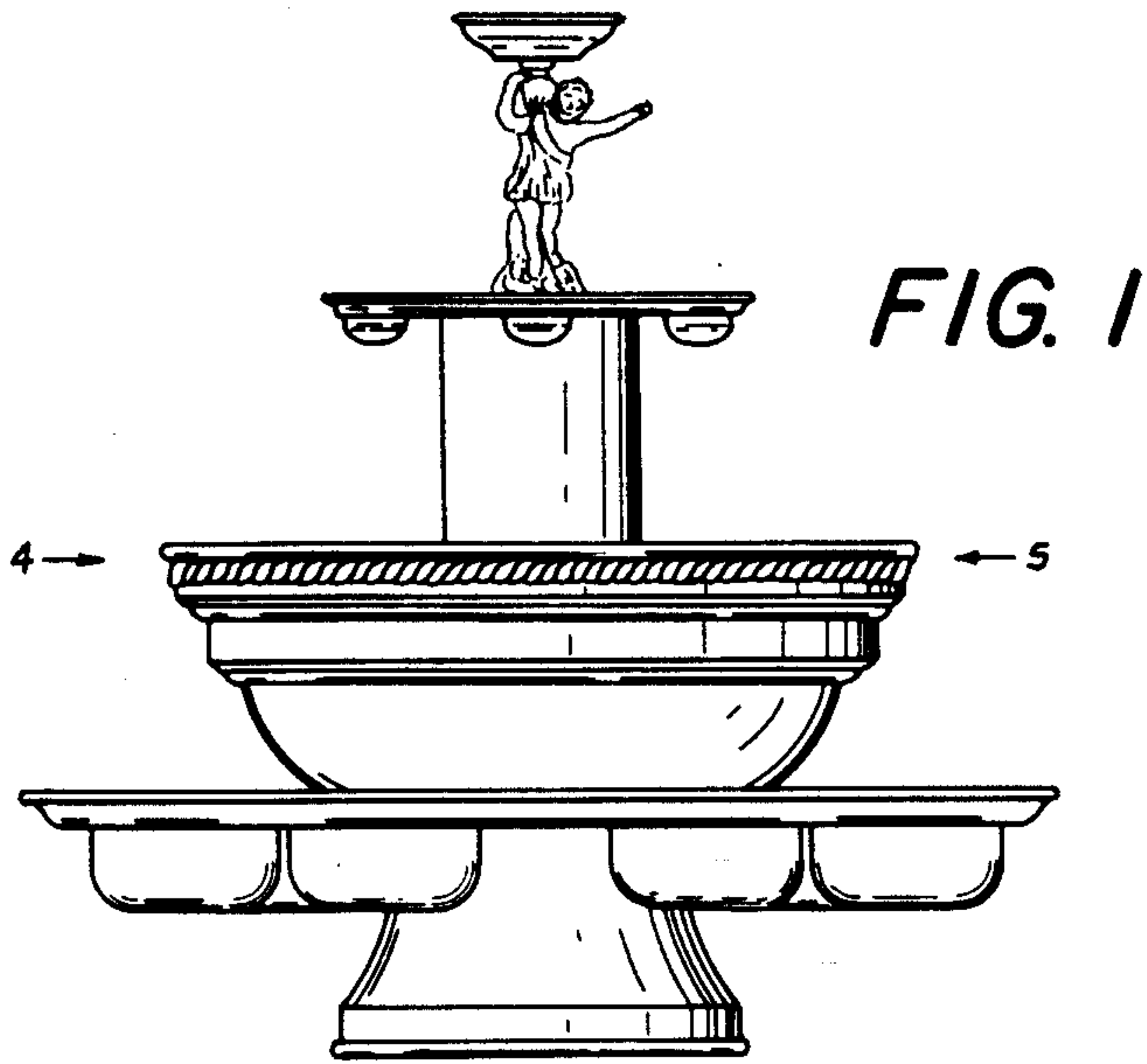
[57] CLAIM

The ornamental design for food bowl or the like, substantially as shown.

DESCRIPTION

FIG. 1 is a front elevational view of a food bowl showing my new design;
 FIG. 2 is a top plan view;
 FIG. 3 is a rear elevational view;
 FIG. 4 is a right side elevational view;
 FIG. 5 is a left side elevational view; and
 FIG. 6 is a bottom plan view.





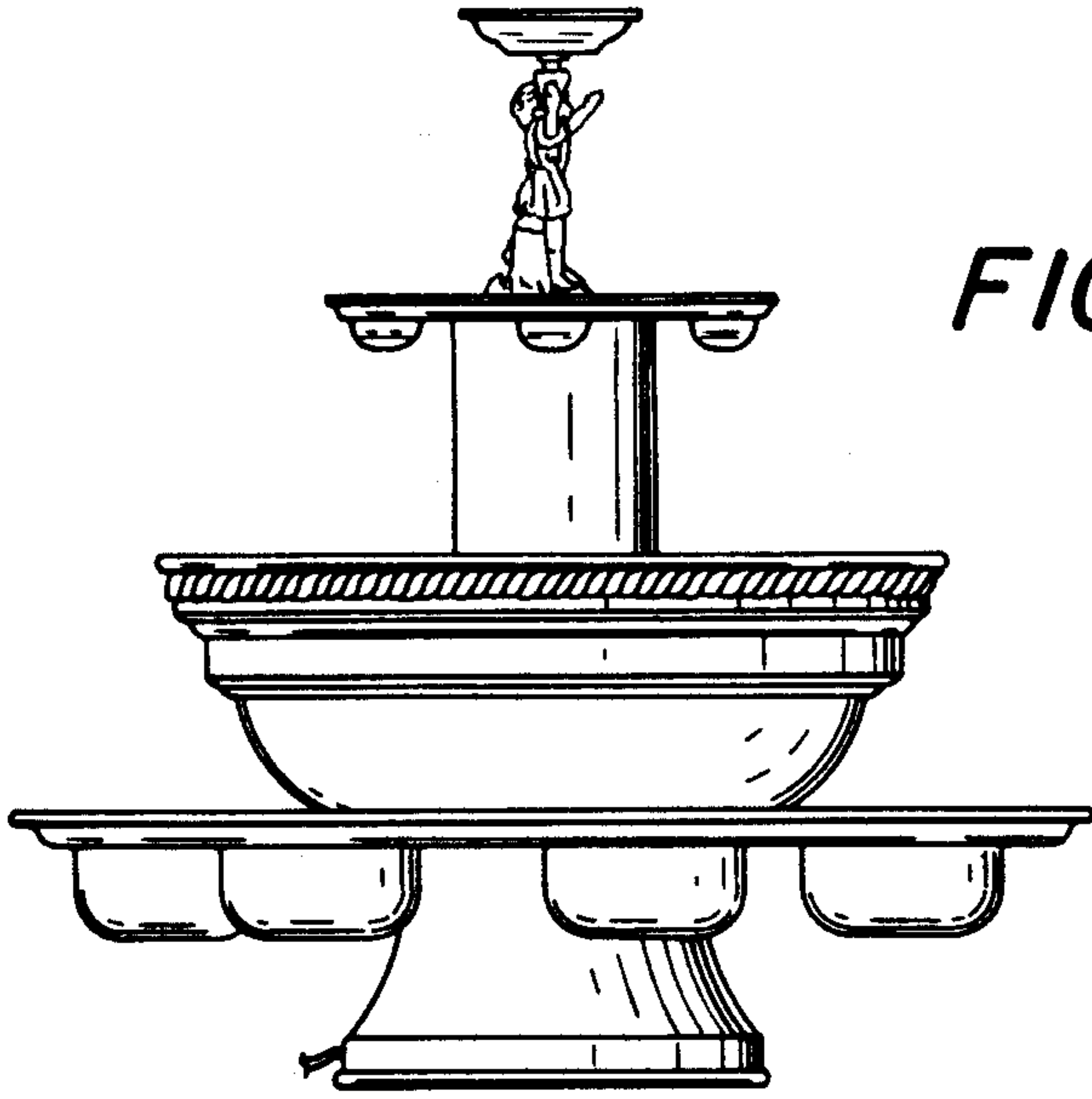


FIG. 4

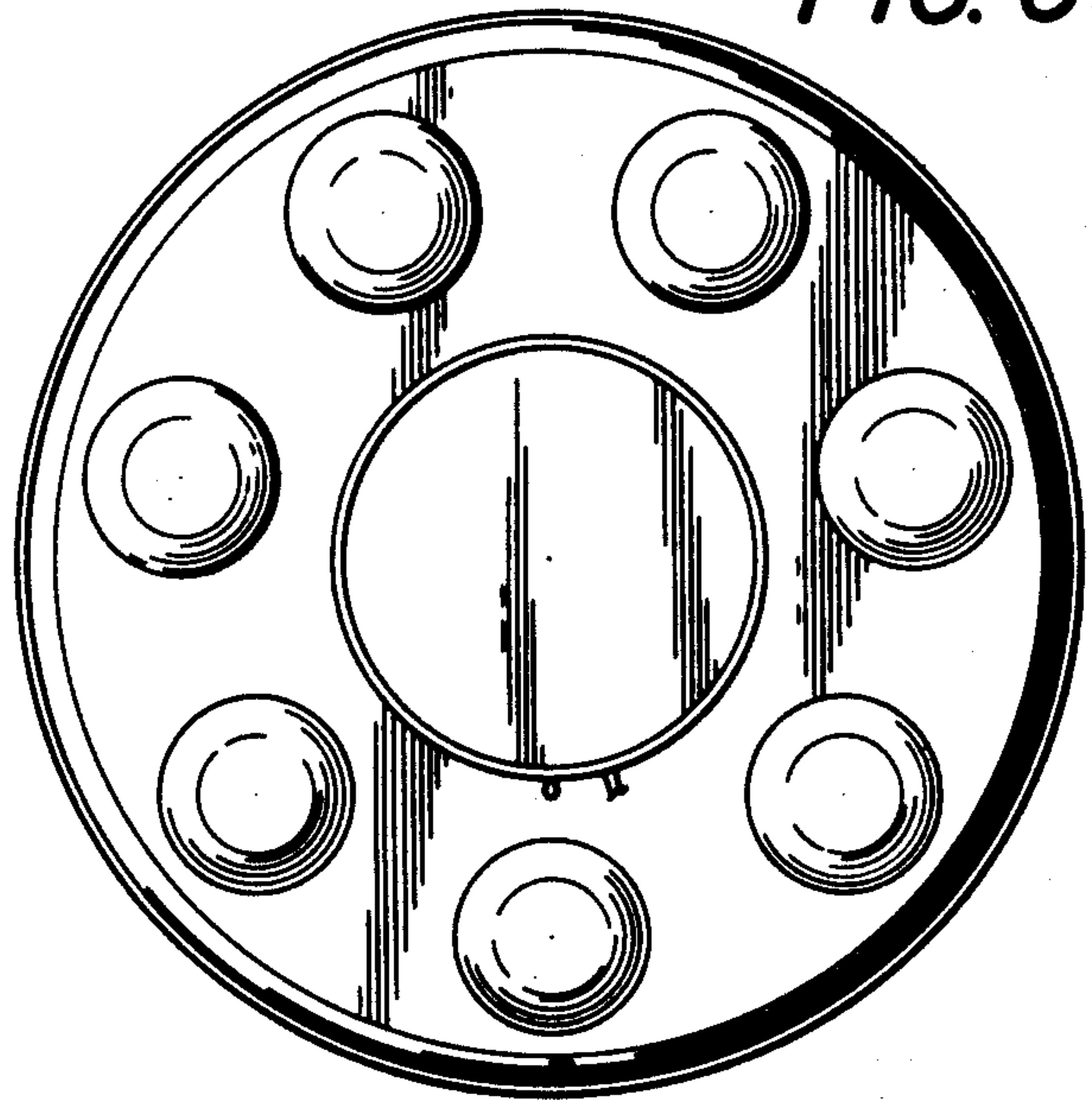


FIG. 6

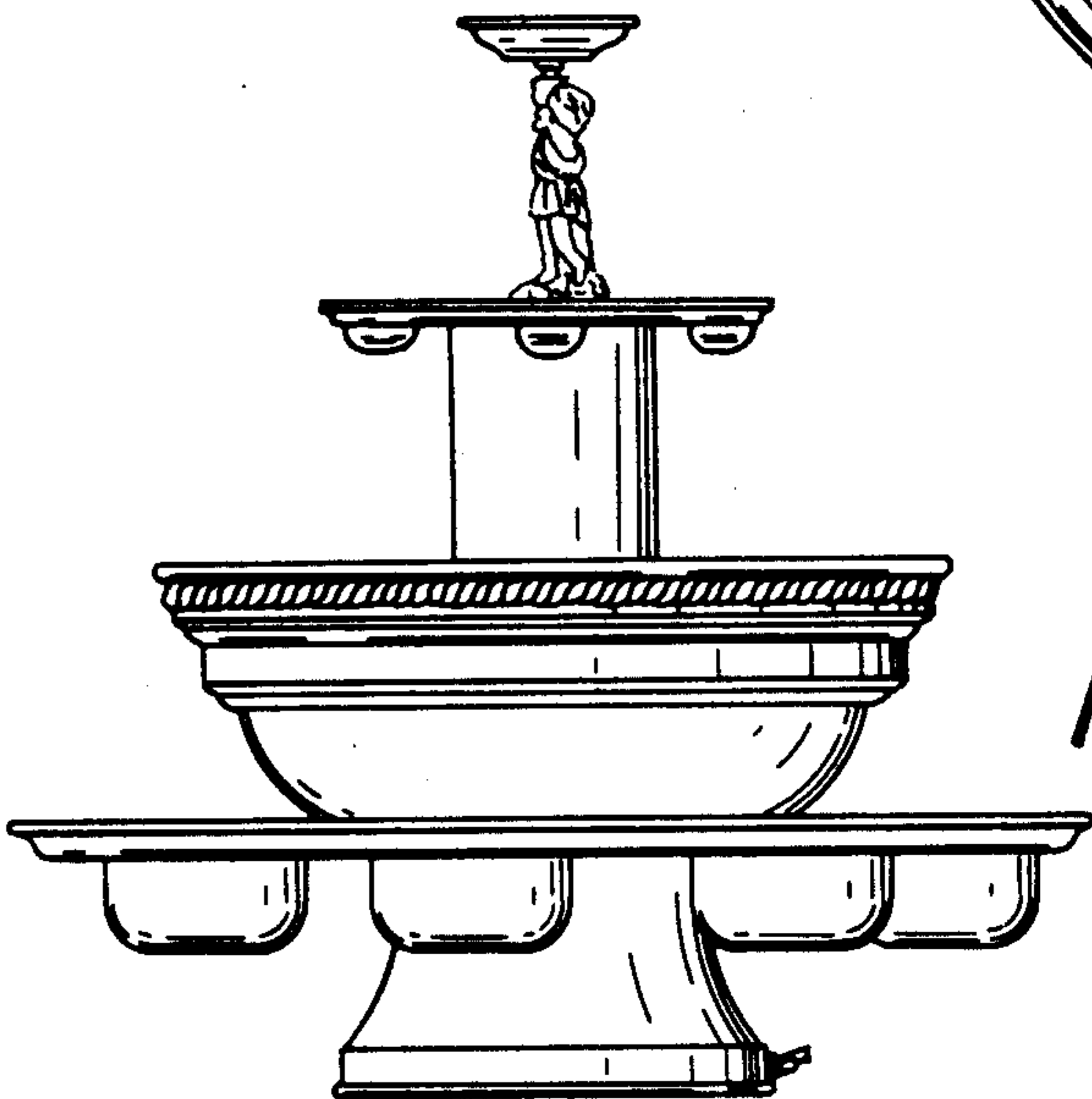


FIG. 5