

[54] SHELF UNIT

[75] Inventor: Richard C. Smith, Bloomington, Minn.

[73] Assignee: R. C. Smith Company, Minneapolis, Minn.

[\*\*] Term: 14 Years

[21] Appl. No.: 874,271

[22] Filed: Feb. 1, 1978

[51] Int. Cl. .... D6-06

[52] U.S. Cl. .... D6/191; D6/181; D6/199

[58] Field of Search ..... D6/181, 186, 191, 199; 211/134, 135, 148, 153

[56] References Cited

U.S. PATENT DOCUMENTS

D. 201,370	6/1965	Benjamin	.....	D6/191
D. 233,294	10/1974	Goulder	.....	D6/186
3,154,028	10/1964	Hamilton	.....	D6/181 X

Primary Examiner—Bruce W. Dunkins  
Attorney, Agent, or Firm—James R. Haller

[57] CLAIM

The ornamental design for a shelf unit, as shown.

DESCRIPTION

FIG. 1 is a perspective view of the shelf unit of the invention;

FIG. 2 is a top view of the shelf unit of FIG. 1;

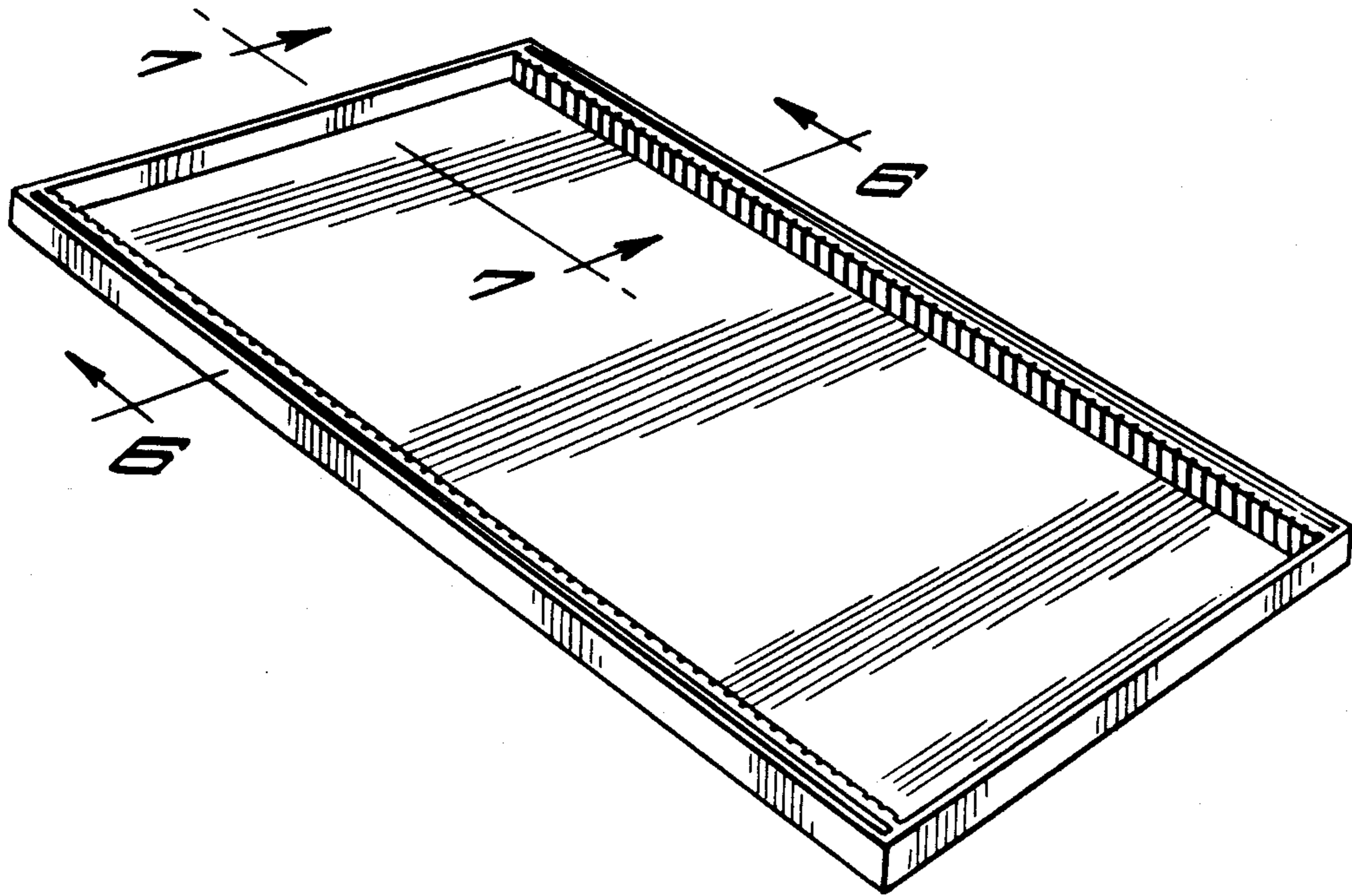
FIG. 3 is an end view of the left end of the shelf unit shown in FIG. 2, the right end view being a mirror image of the view of FIG. 3;

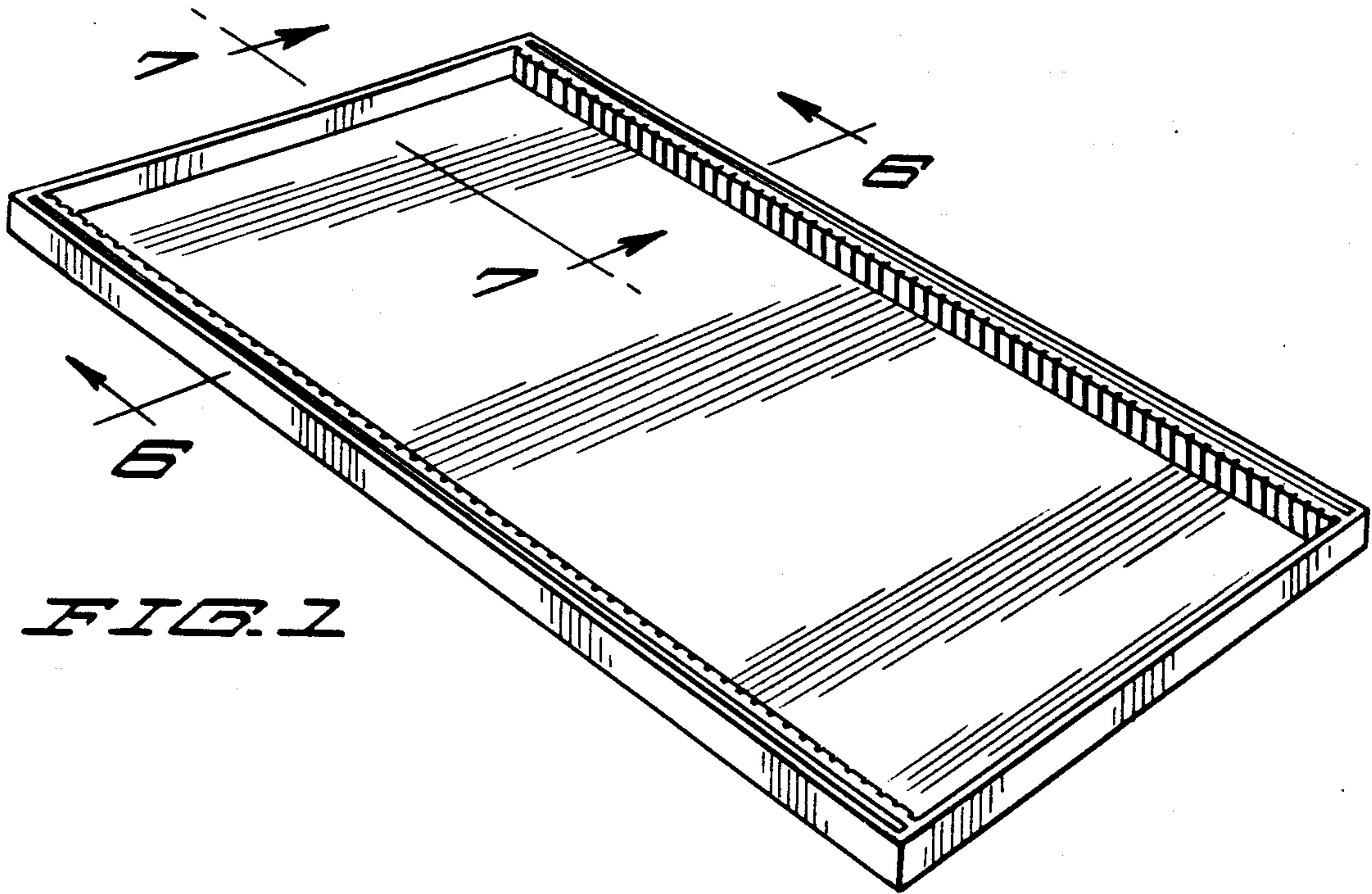
FIG. 4 is a side view taken along the bottom side of the shelf unit shown in FIG. 2, the side view taken along the top of the shelf unit being a mirror image of that shown in FIG. 4;

FIG. 5 is a bottom view of the shelf unit of FIG. 1;

FIG. 6 is a cross-sectional view taken along line 6—6 of FIG. 1; and

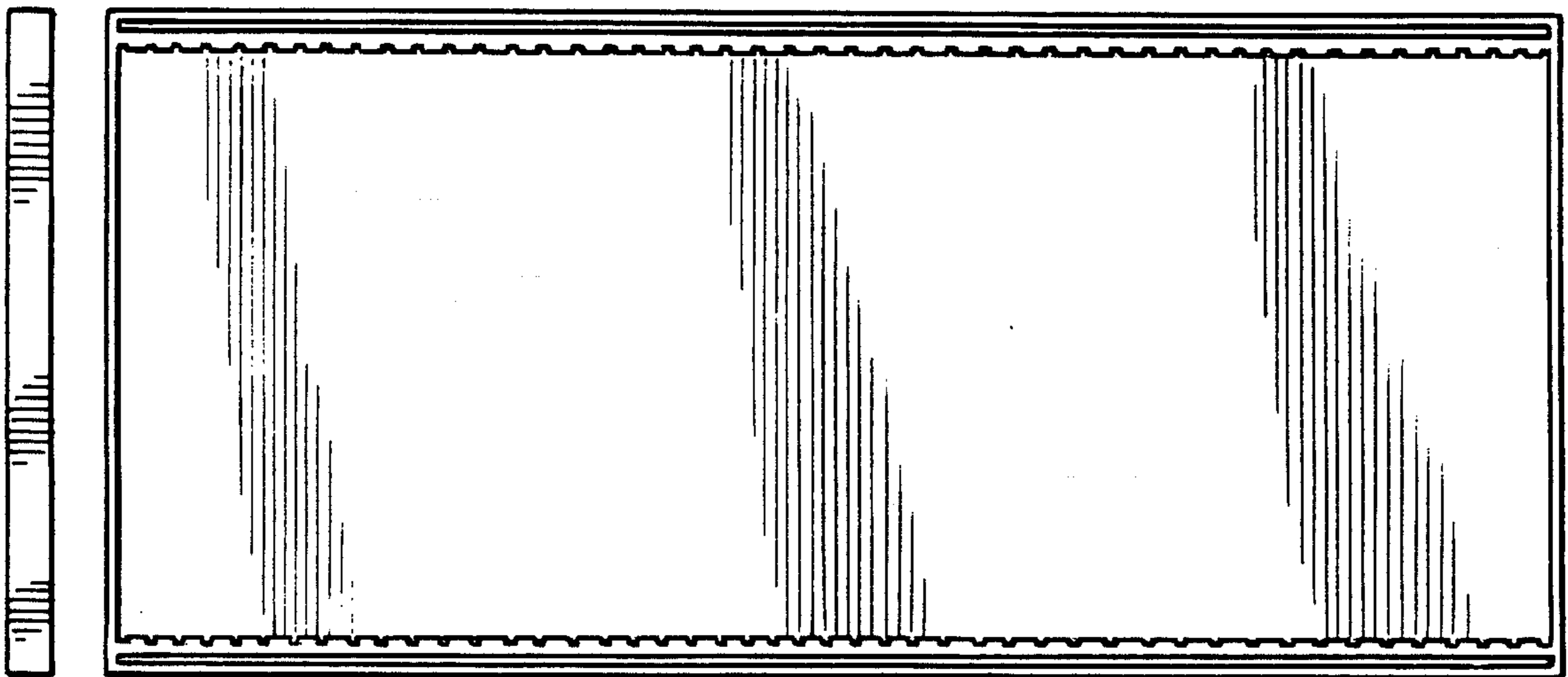
FIG. 7 is a broken-away, cross-sectional view taken along line 7—7 of FIG. 1.





*FIG. 1*

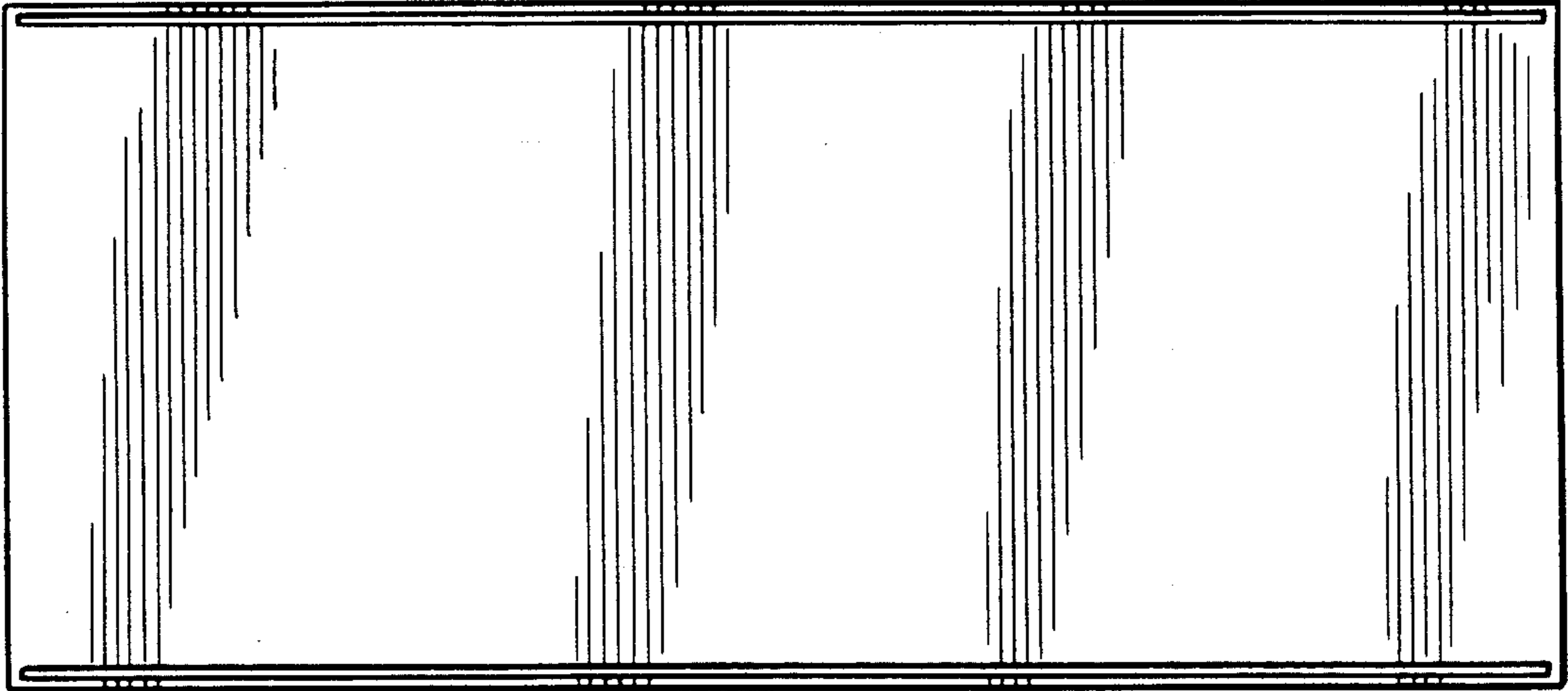
*FIG. 2*



*FIG. 3*



*FIG. 4*



*FIG. 5*



*FIG. 6*



*FIG. 7*