

[54] CHAIR OR SIMILAR ARTICLE

[75] Inventor: Hermann Locher, Pfeffingen, Switzerland  
[73] Assignee: Giroflex-Entwicklungs-AG, Koblenz, Switzerland

[\*\*] Term: 14 Years

[21] Appl. No.: 859,991

[22] Filed: Dec. 12, 1977

[30] Foreign Application Priority Data

Jul. 15, 1977 [XH] Hague ..... 65375/77

[51] Int. Cl. .... D6-01

[52] U.S. Cl. .... D6/30

[58] Field of Search ..... D6/20, 26, 29, 30, 31, D6/65, 66, 78; 297/325, 337, 344, 352, 354, 353

[56] References Cited

U.S. PATENT DOCUMENTS

D. 197,643	3/1964	Kramer .....	D6/30
D. 244,892	7/1977	Koepke .....	D6/31
D. 249,302	9/1978	Ruf .....	D6/31
D. 250,374	11/1978	Prizlow et al. ....	D6/31

OTHER PUBLICATIONS

Design Cat. 1-1977, p. 16, chair in foreground by Ampersand.

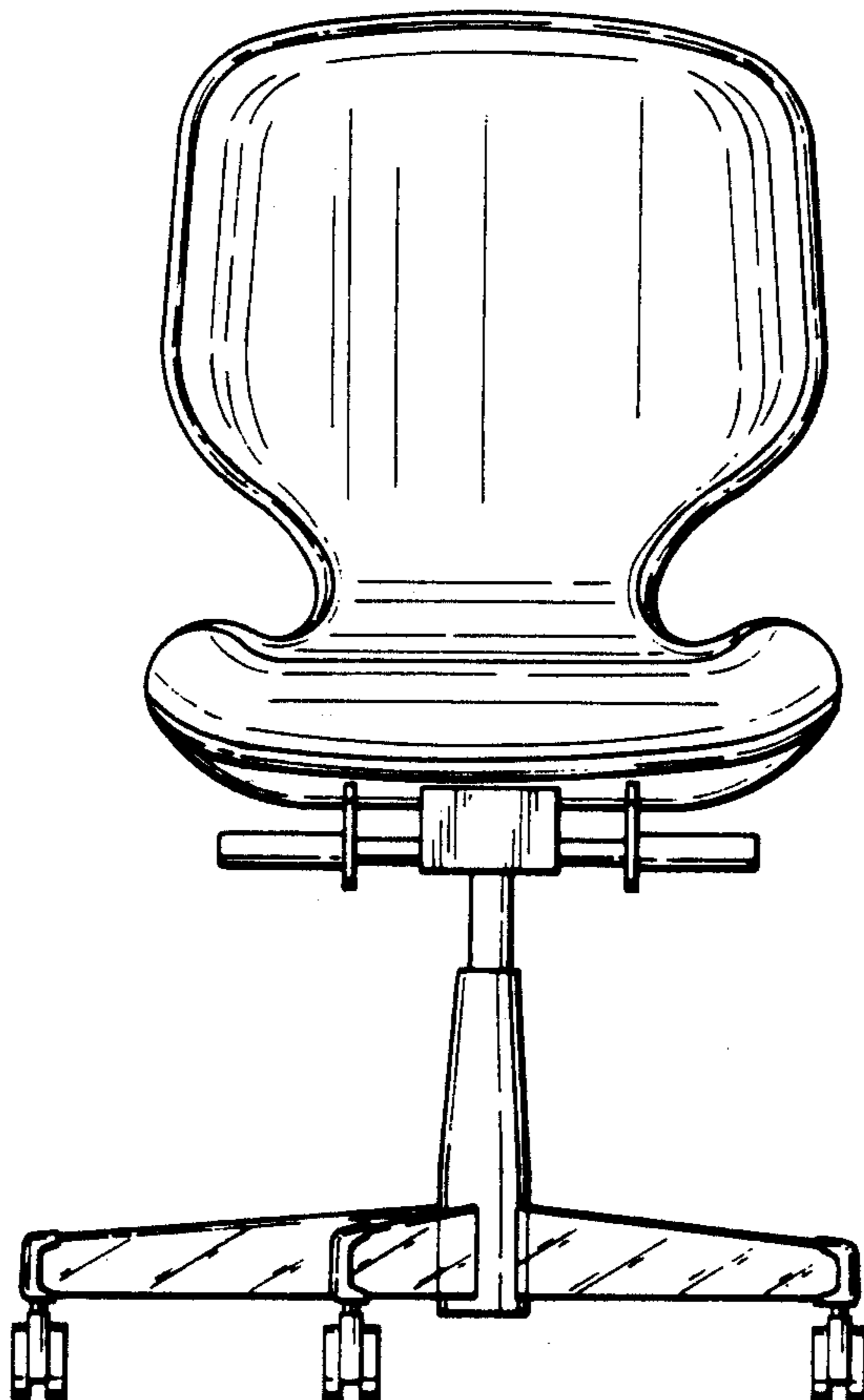
Primary Examiner—Bruce W. Dunkins  
Attorney, Agent, or Firm—Werner W. Kleeman

[57] CLAIM

The ornamental design for a chair or similar article, as shown and described.

DESCRIPTION

FIG. 1 is a perspective view of my chair or similar article incorporating my invention;  
FIG. 2 is a front view thereof;  
FIG. 3 is a side view thereof;  
FIG. 4 is a side view opposite to that shown in FIG. 3; and  
FIG. 5 is a rear view thereof.



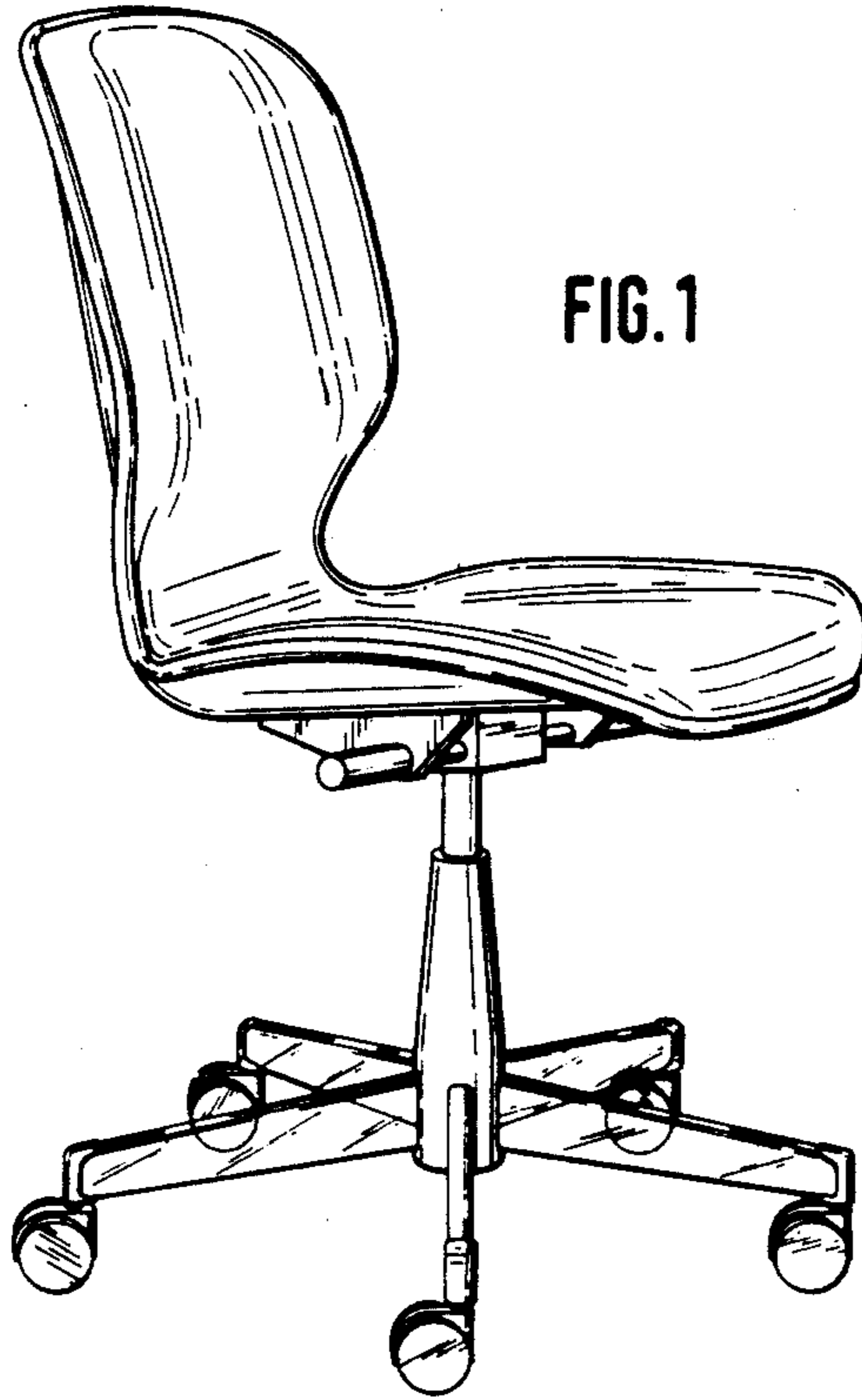


FIG. 1

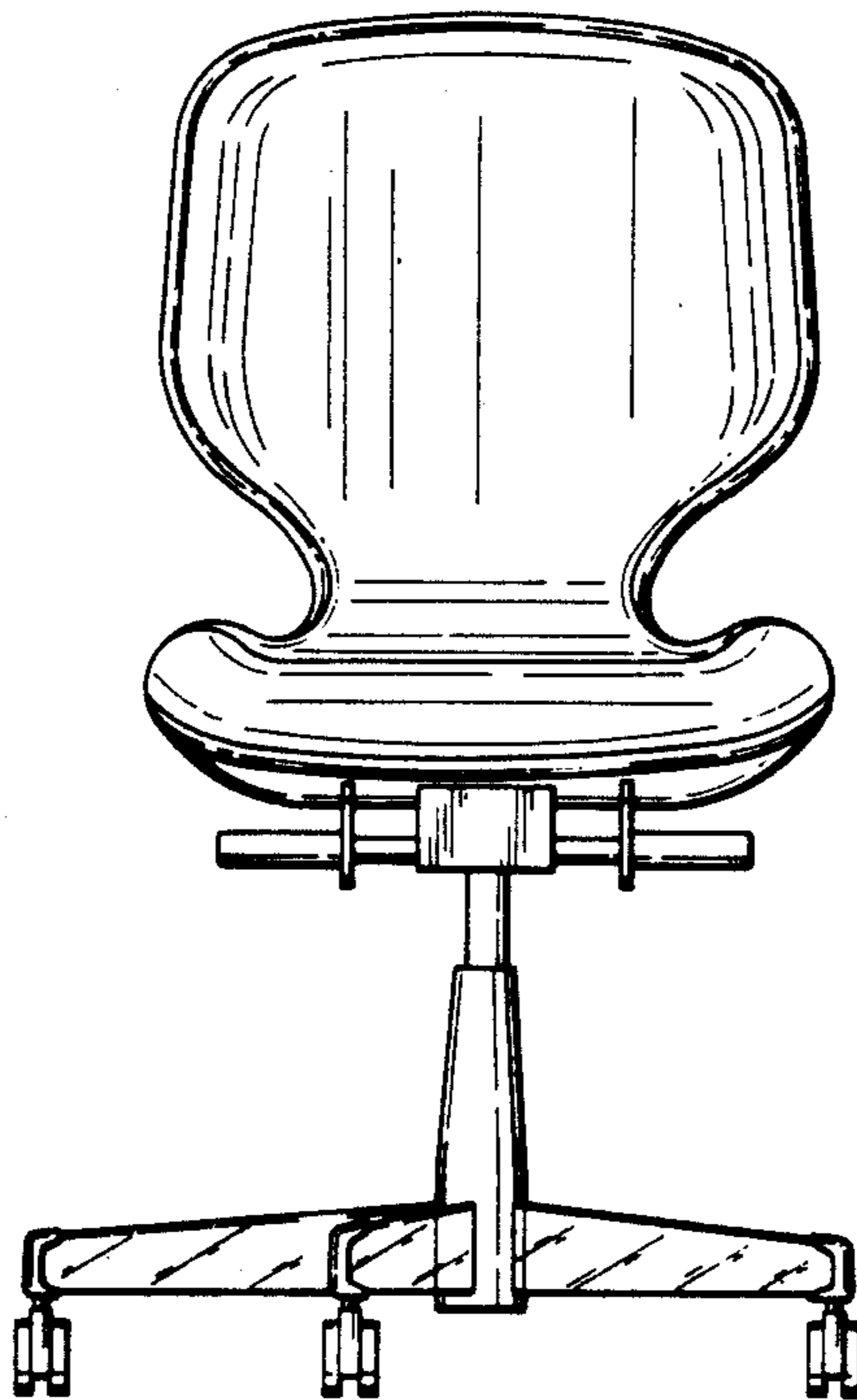


FIG. 2

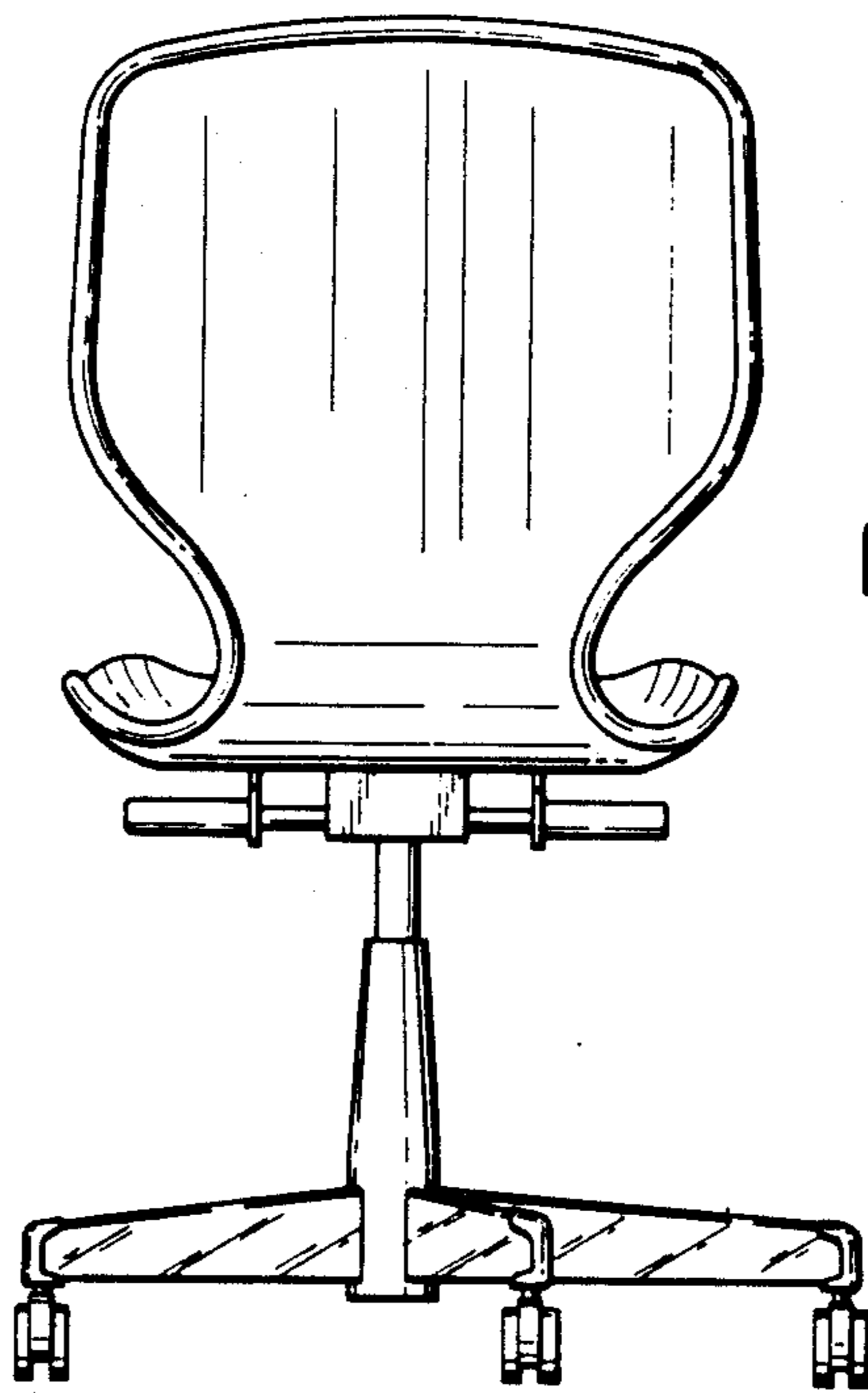
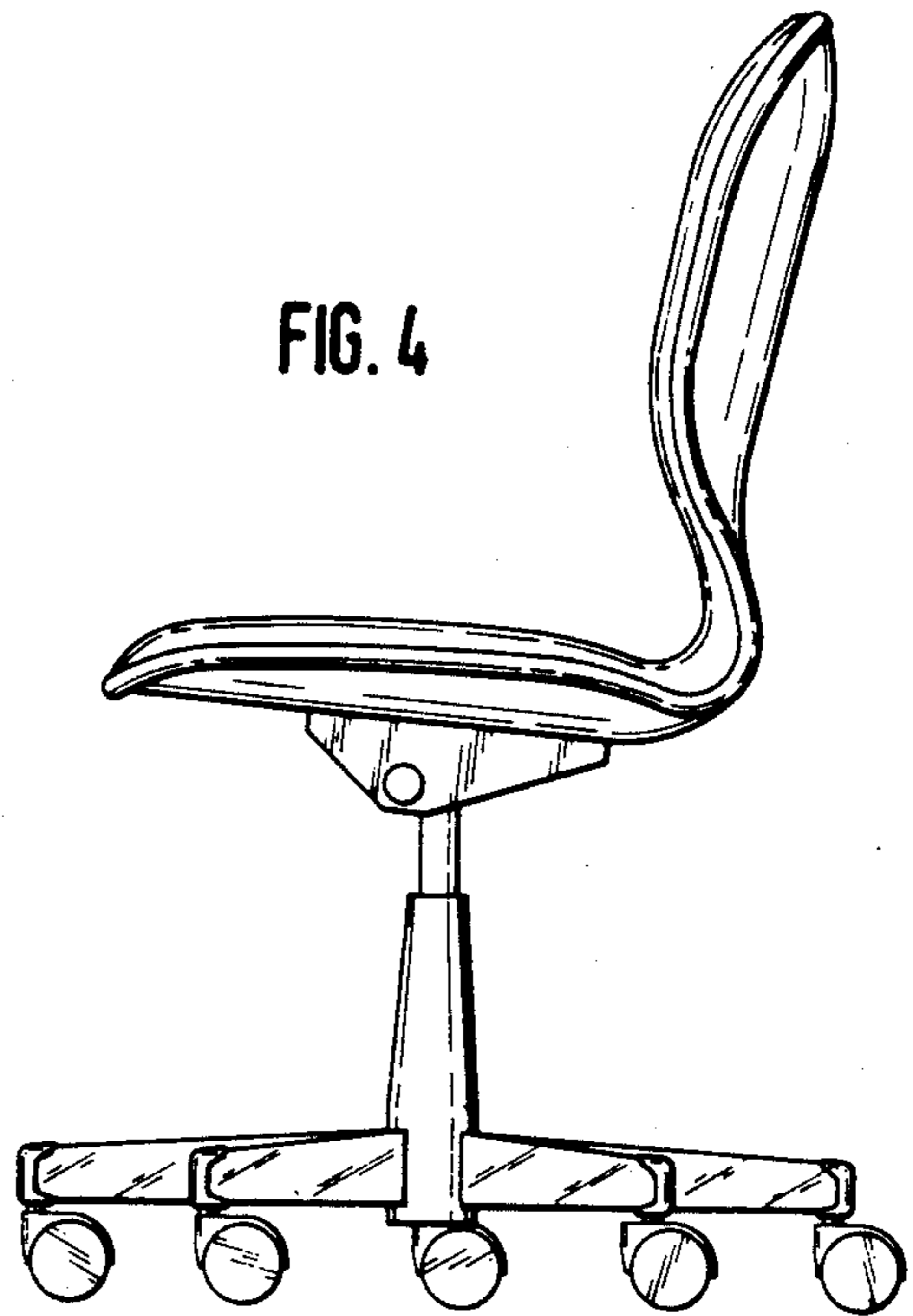
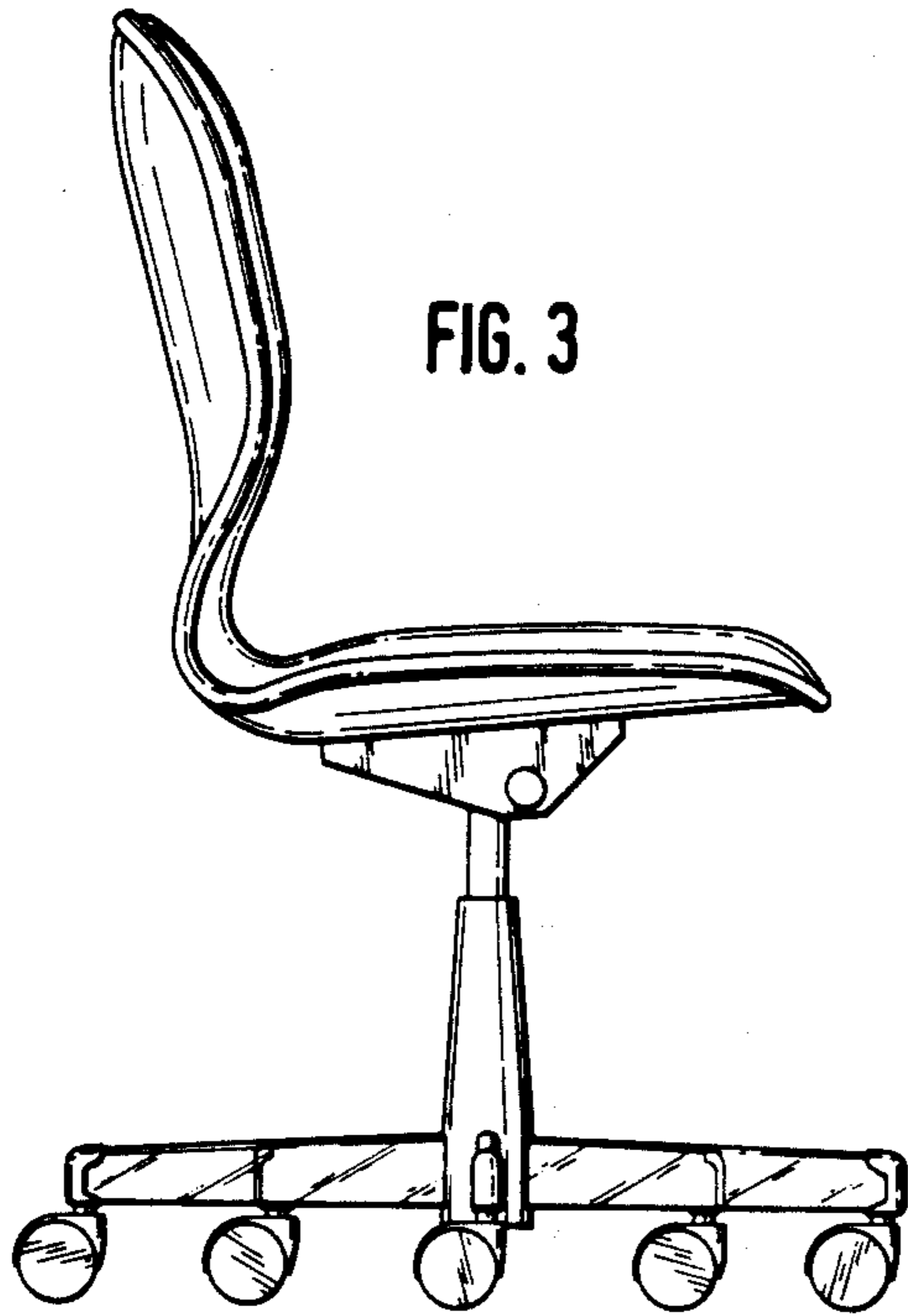


FIG. 5