

[54] AUXILIARY LIGHT FOR VEHICLE HAVING ATTACHED PLOW BLADE

[75] Inventor: Vernon L. Hetrick, Fairview Park, Ohio

[73] Assignee: Meyer Products, Inc., Cleveland, Ohio

[**] Term: 14 Years

[21] Appl. No.: 843,896

[22] Filed: Oct. 20, 1977

[51] Int. Cl. D26-06

[52] U.S. Cl. D26/35

[58] Field of Search D48/32 R; 362/61, 62, 362/72, 217, 223, 224, 227, 235, 236, 237, 238, 240, 245, 244, 246, 257, 262, 282, 311, 362, 367, 368, 372, 374; 340/50, 74, 81 R, 84, 87

[56] References Cited

U.S. PATENT DOCUMENTS

D. 65,682	9/1924	Bell	D48/32 R
D. 67,827	7/1925	Donley	D48/32 R
D. 243,274	2/1977	Miceli	D48/32 R

Primary Examiner—Susan J. Lucas
Attorney, Agent, or Firm—Meyer, Tilberry & Body

[57] CLAIM

The ornamental design for an auxiliary light for vehicle having attached plow blade, as shown and described.

DESCRIPTION

FIG. 1 is a side pictorial view of an auxiliary light for vehicle having attached plow blade showing my new design;

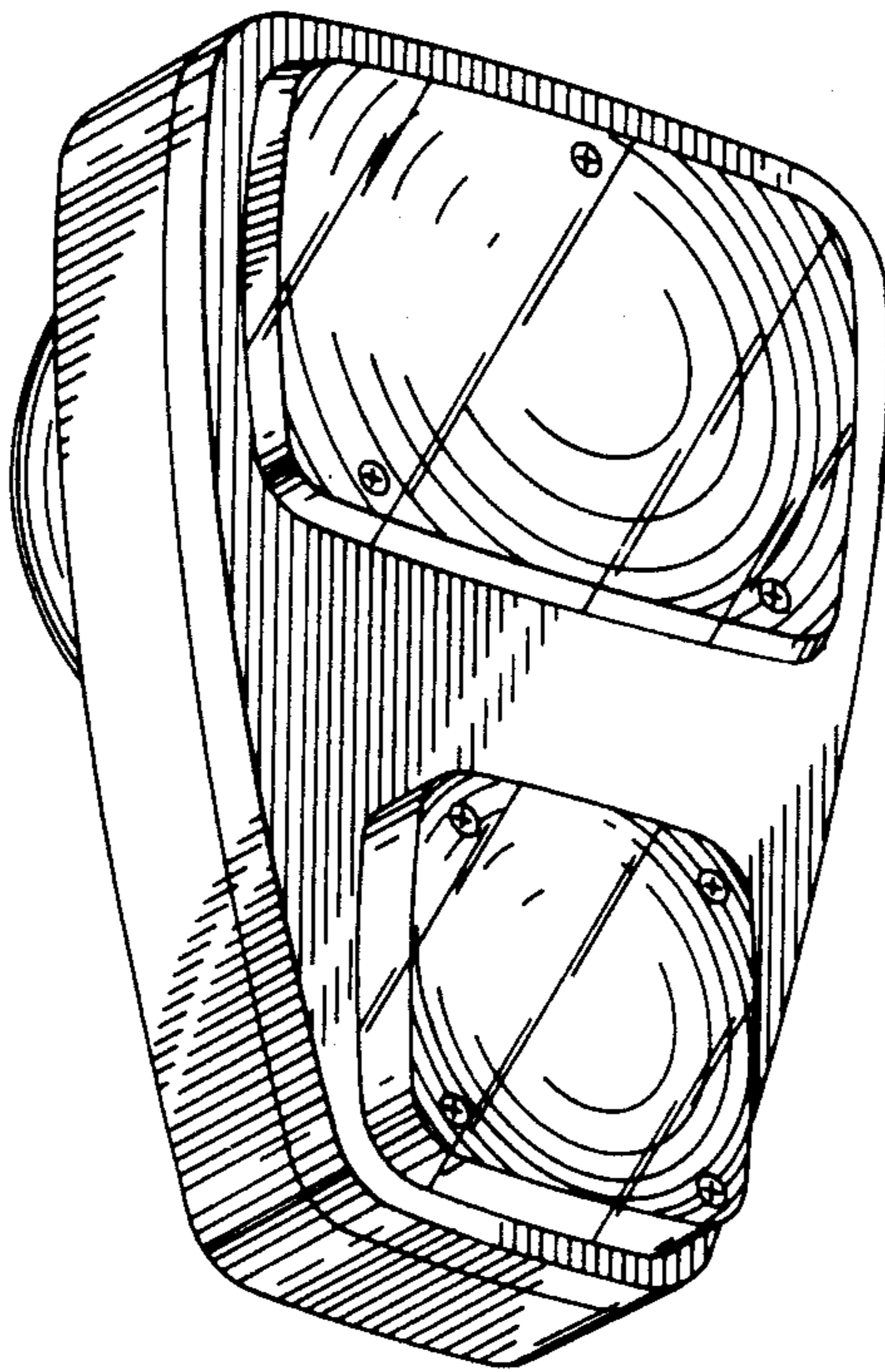
FIG. 2 is a front elevational view thereof;

FIG. 3 is a right side elevational view thereof which is similar to the left side elevational view; and,

FIG. 4 is a top plan view thereof; and,

FIG. 5 is a rear elevational view thereof.

The mounting elements are shown in broken line in FIG. 3 for illustrative purposes only.



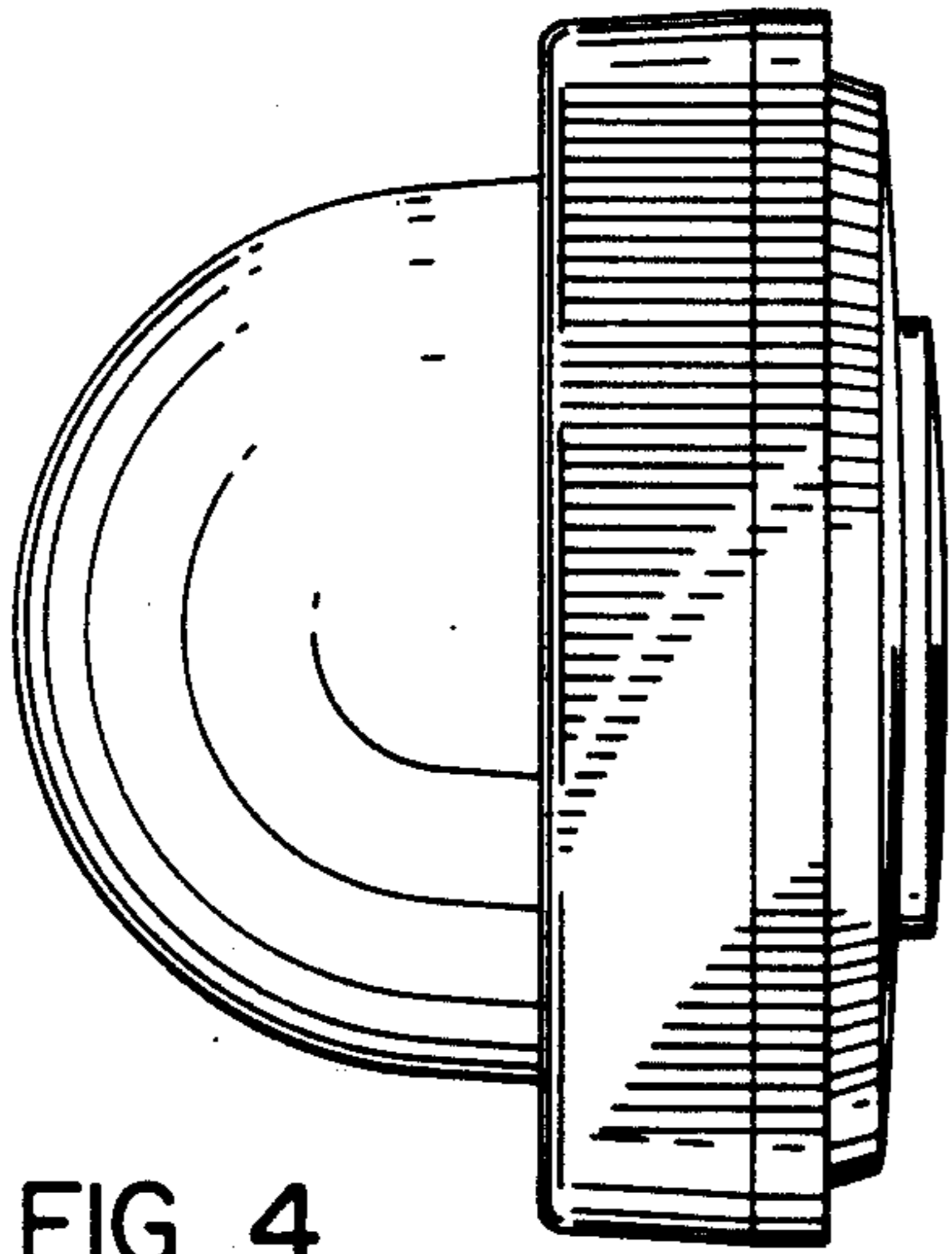


FIG. 4

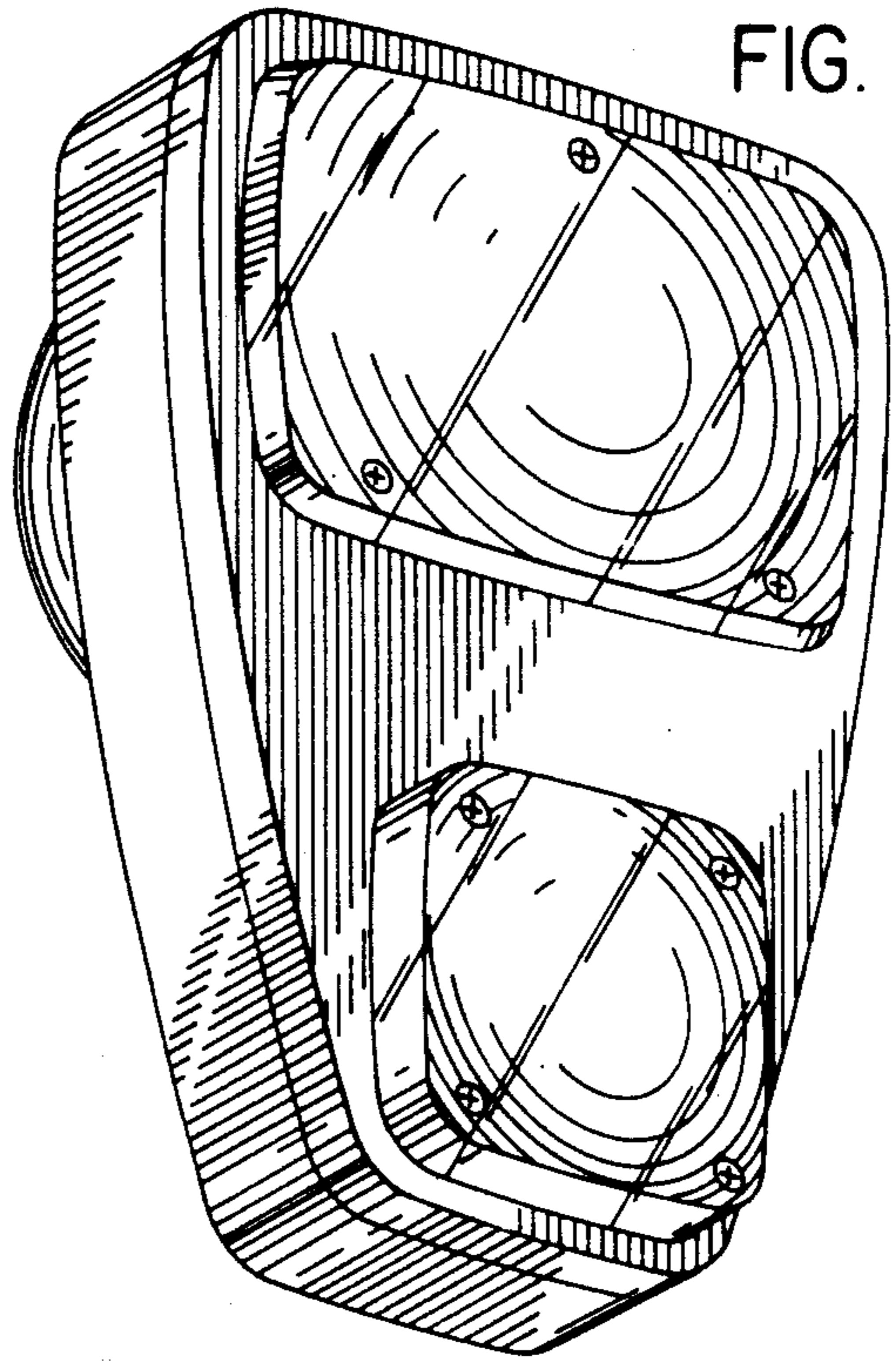


FIG. 1

FIG. 3

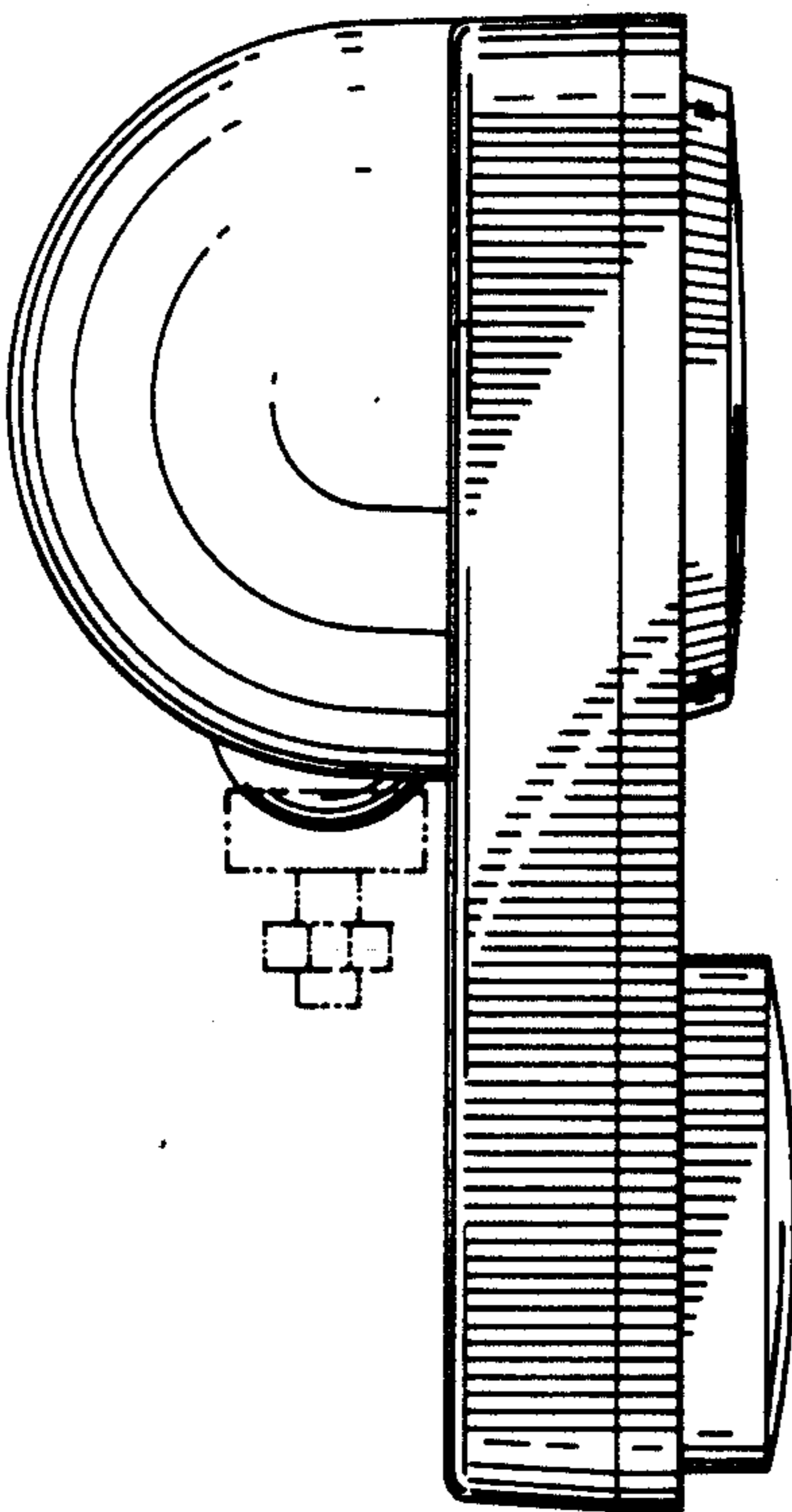
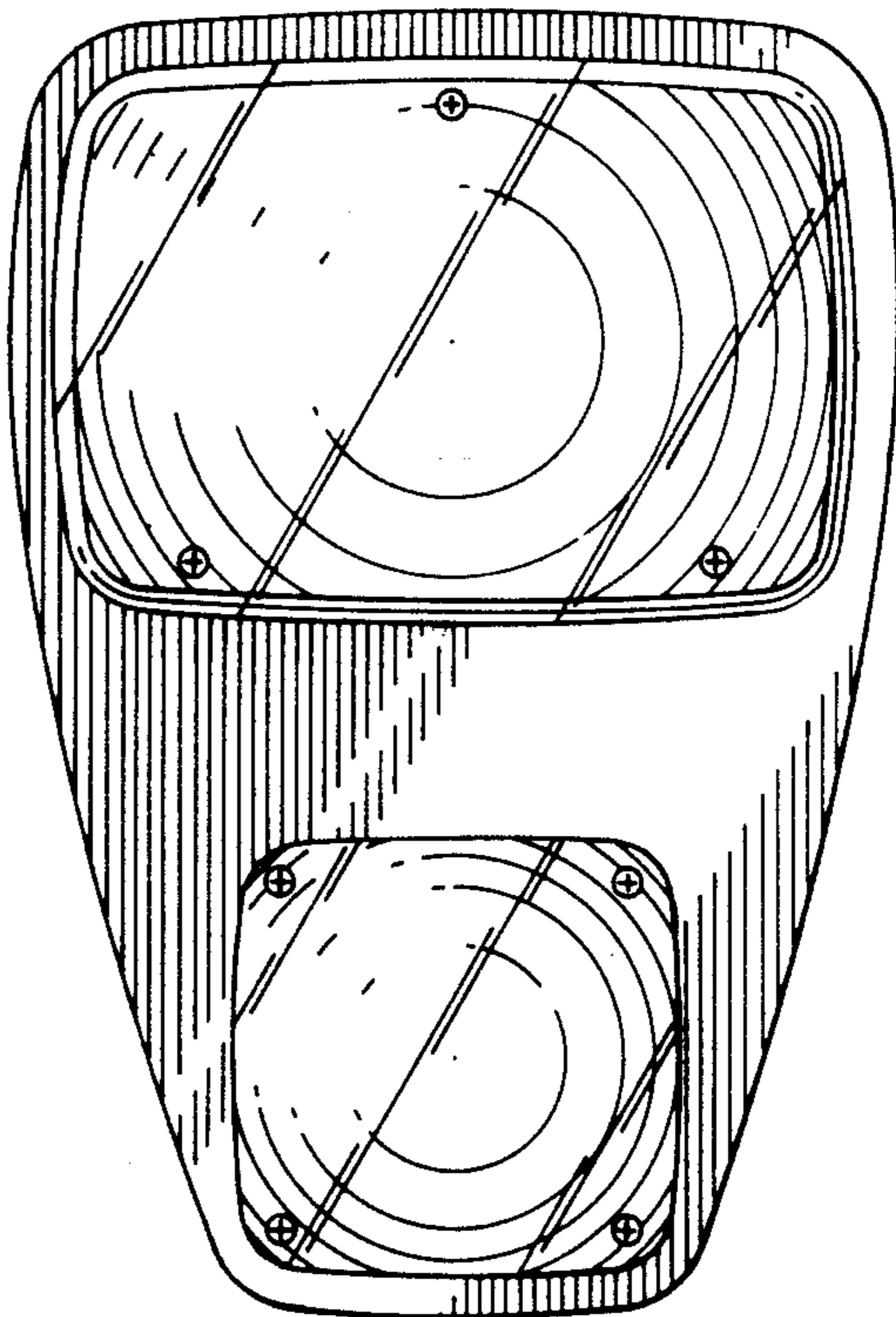


FIG. 2



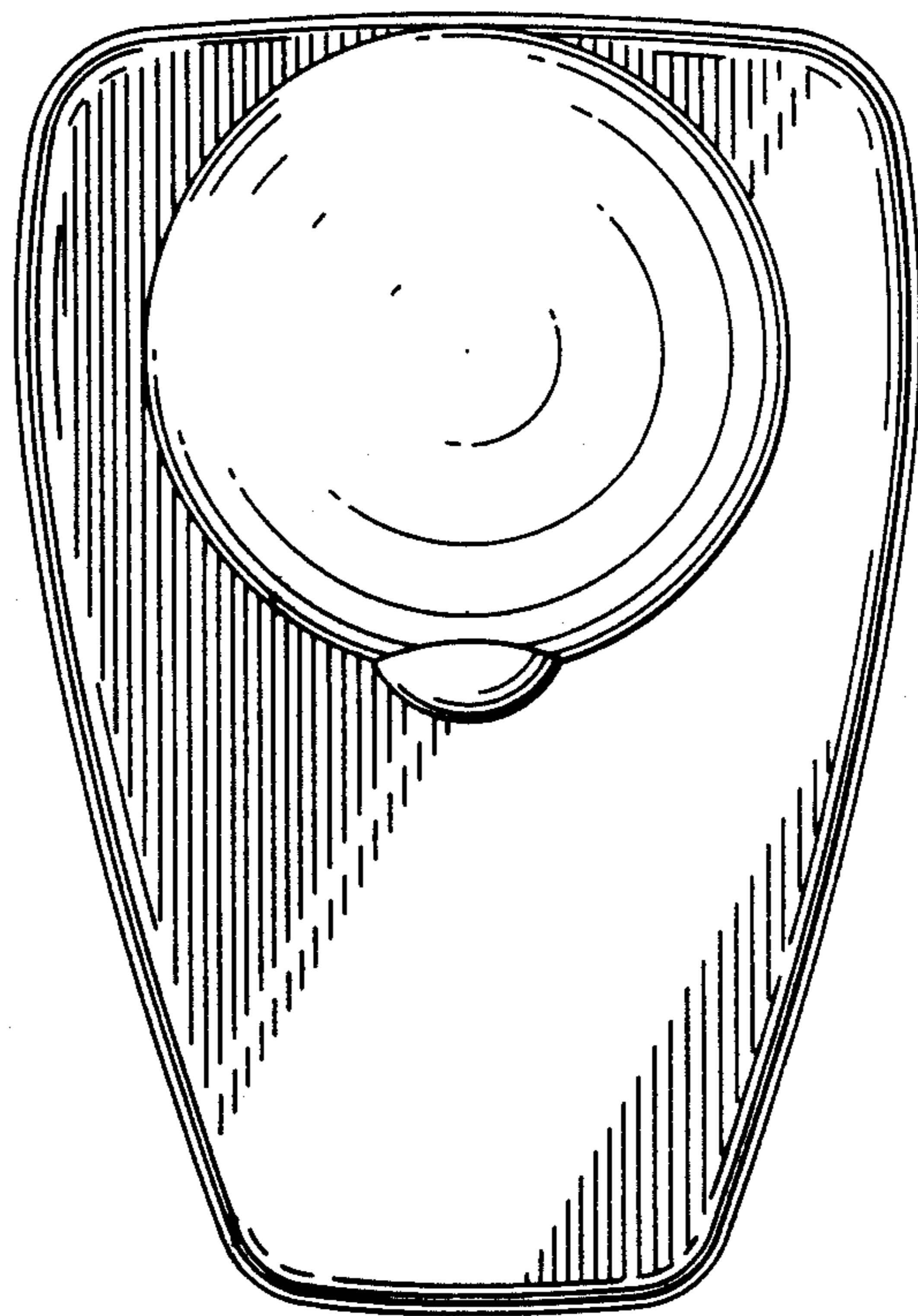


FIG. 5