

[54] ELECTRIC SHAVER

[75] Inventors: Isao Ayukawa; Tamaki Takaoka; Teruko Hayano, all of Osaka, Japan

[73] Assignee: Sharp Kabushiki Kaisha (Sharp Corp.), Osaka, Japan

[\*\*] Term: 14 Years

[21] Appl. No.: 888,516

[22] Filed: Mar. 20, 1978

[51] Int. Cl. .... D28-03

[52] U.S. Cl. .... D28/50

[58] Field of Search ..... D28/44-53; 30/32, 34 R, 41.9, 43, 43.4-43.6, 43.91, 43.92, DIG. 1, DIG. 2

[56] References Cited

U.S. PATENT DOCUMENTS

D. 110,937	8/1938	Aronson .....	D28/50
3,116,551	1/1964	Anton .....	30/43.6
3,141,240	7/1964	Gwinn .....	30/43.6

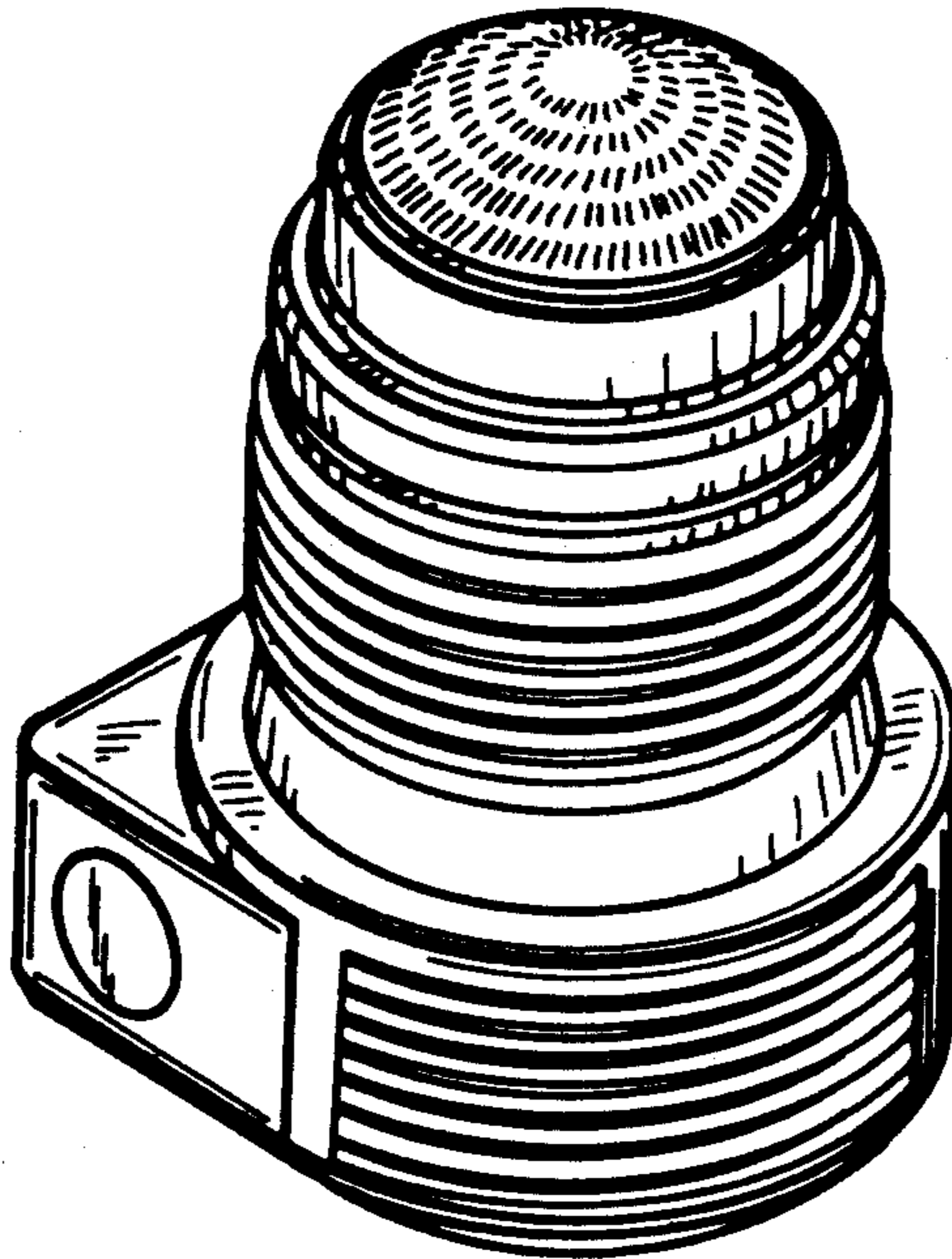
Primary Examiner—Louis S. Zarfes  
Attorney, Agent, or Firm—Flehr, Hohbach, Test

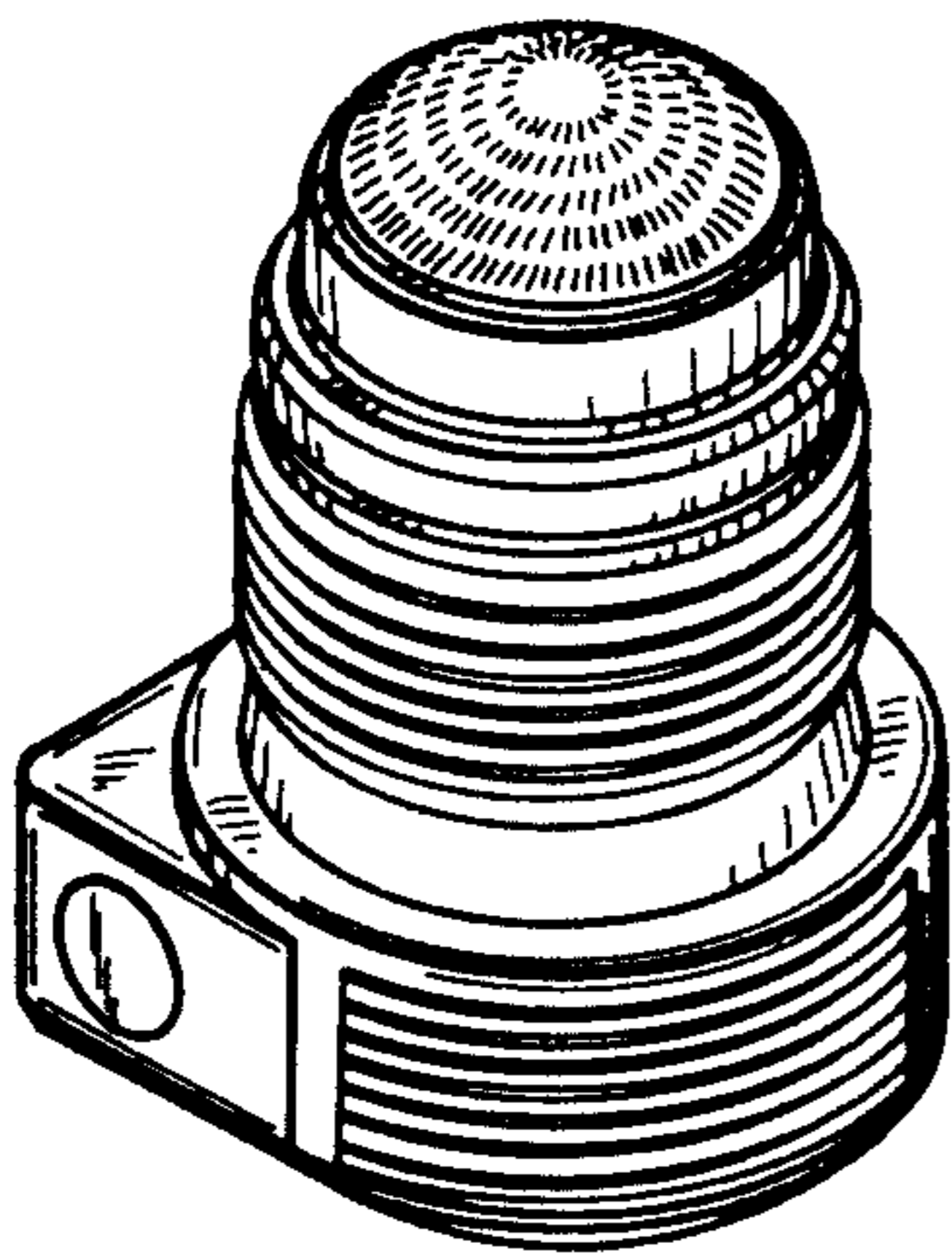
[57] CLAIM

The ornamental design for an electric shaver, as shown and described.

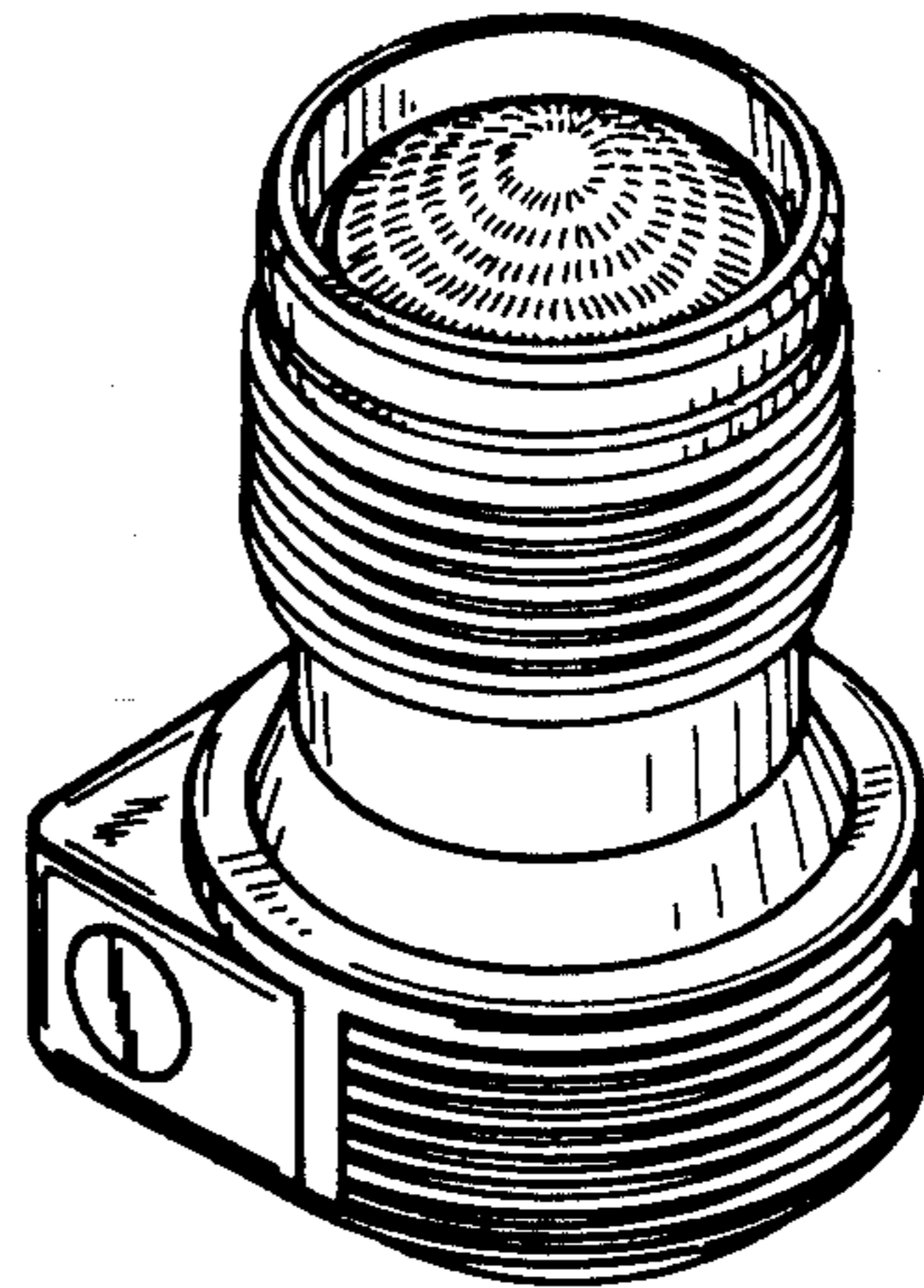
DESCRIPTION

FIG. 1 is a perspective view of the electric shaver with the guard retracted showing our new design;  
FIG. 2 is a perspective view thereof with the guard extended;  
FIG. 3 is a front elevational view thereof with the guard retracted;  
FIG. 4 is a right side elevational view thereof with the guard retracted;  
FIG. 5 is a rear elevational view thereof with the guard retracted;  
FIG. 6 is a left side elevational view thereof with the guard retracted;  
FIG. 7 is a top plan view thereof with the guard retracted; and  
FIG. 8 is a bottom plan view thereof with the guard retracted.

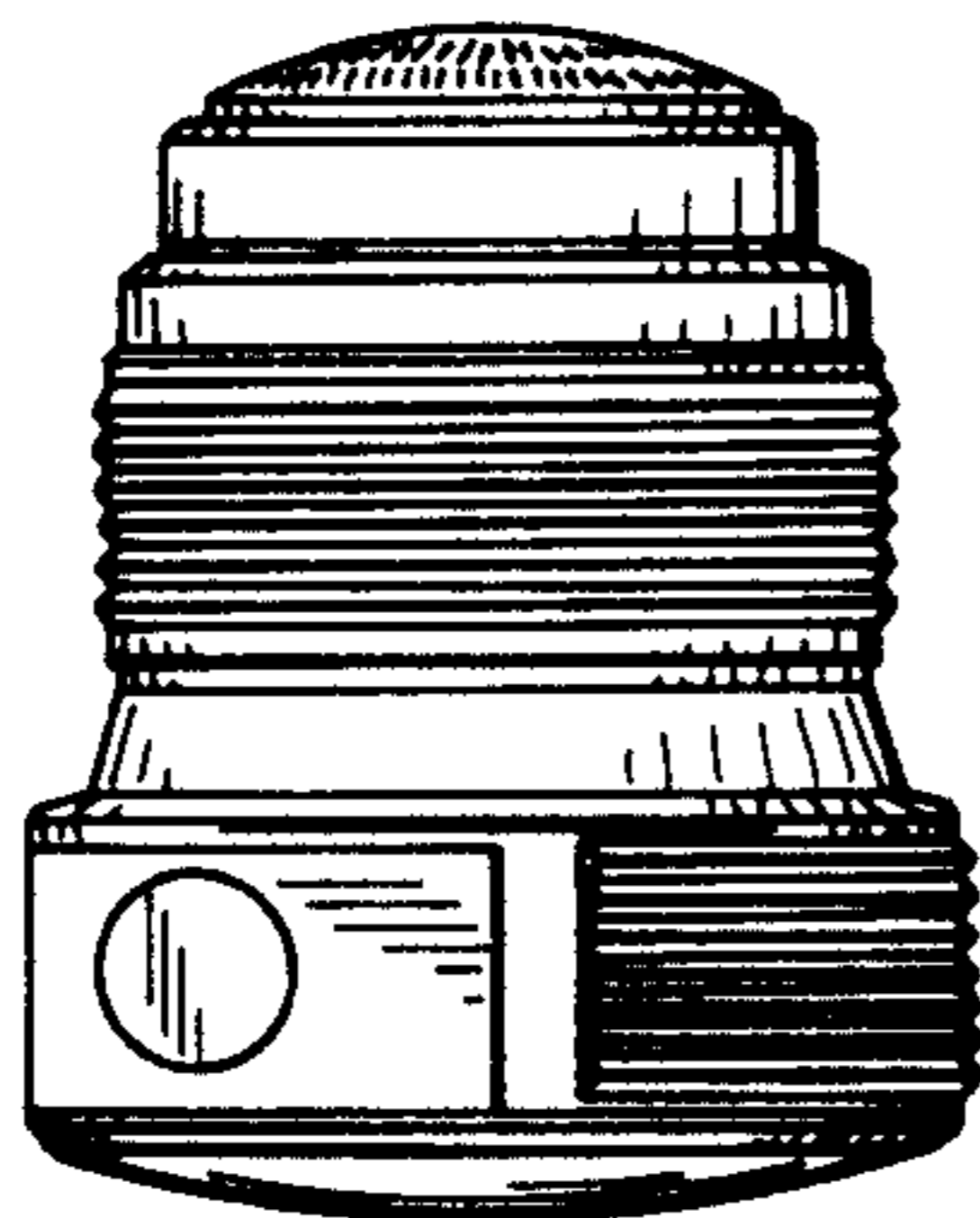




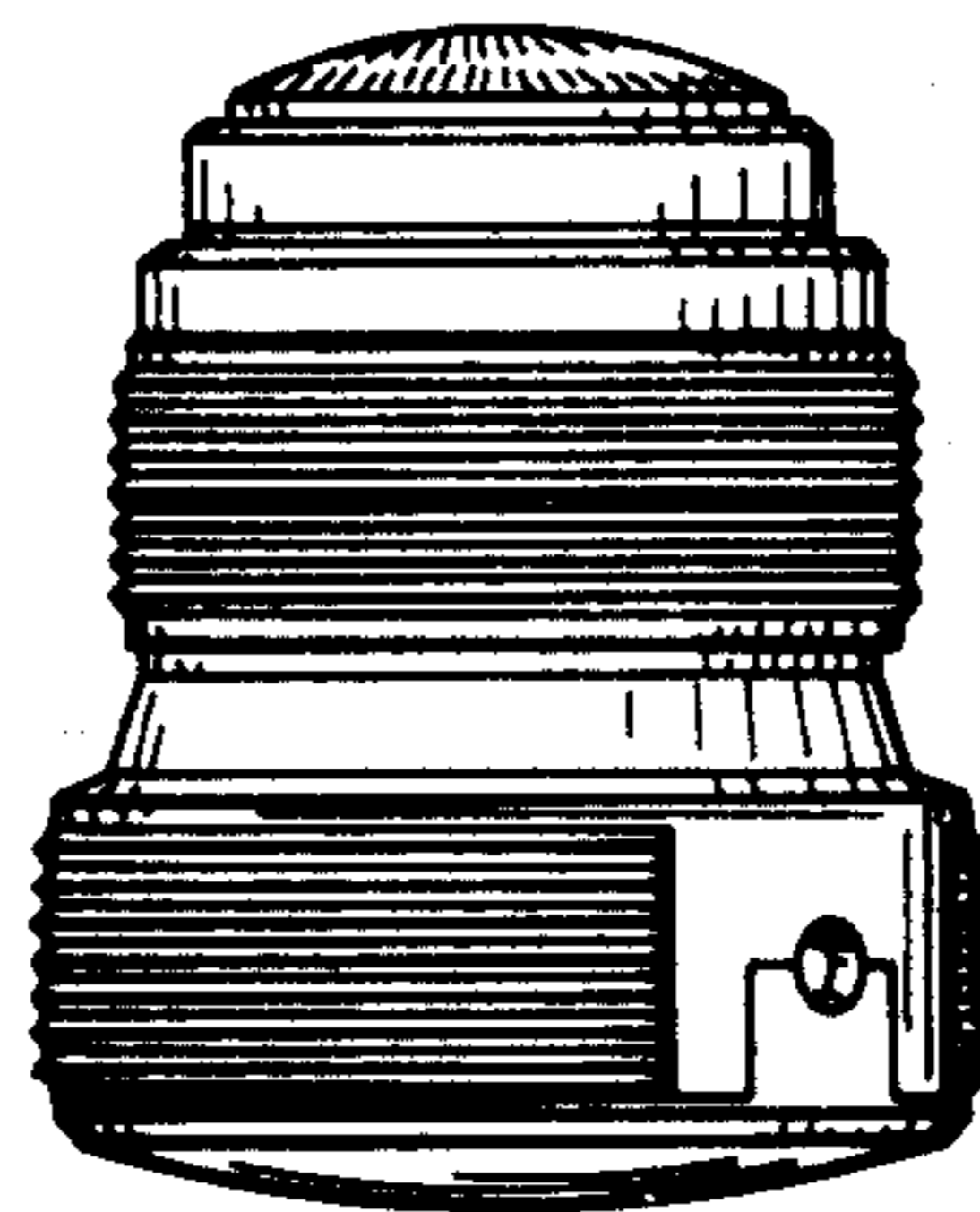
FIG\_1



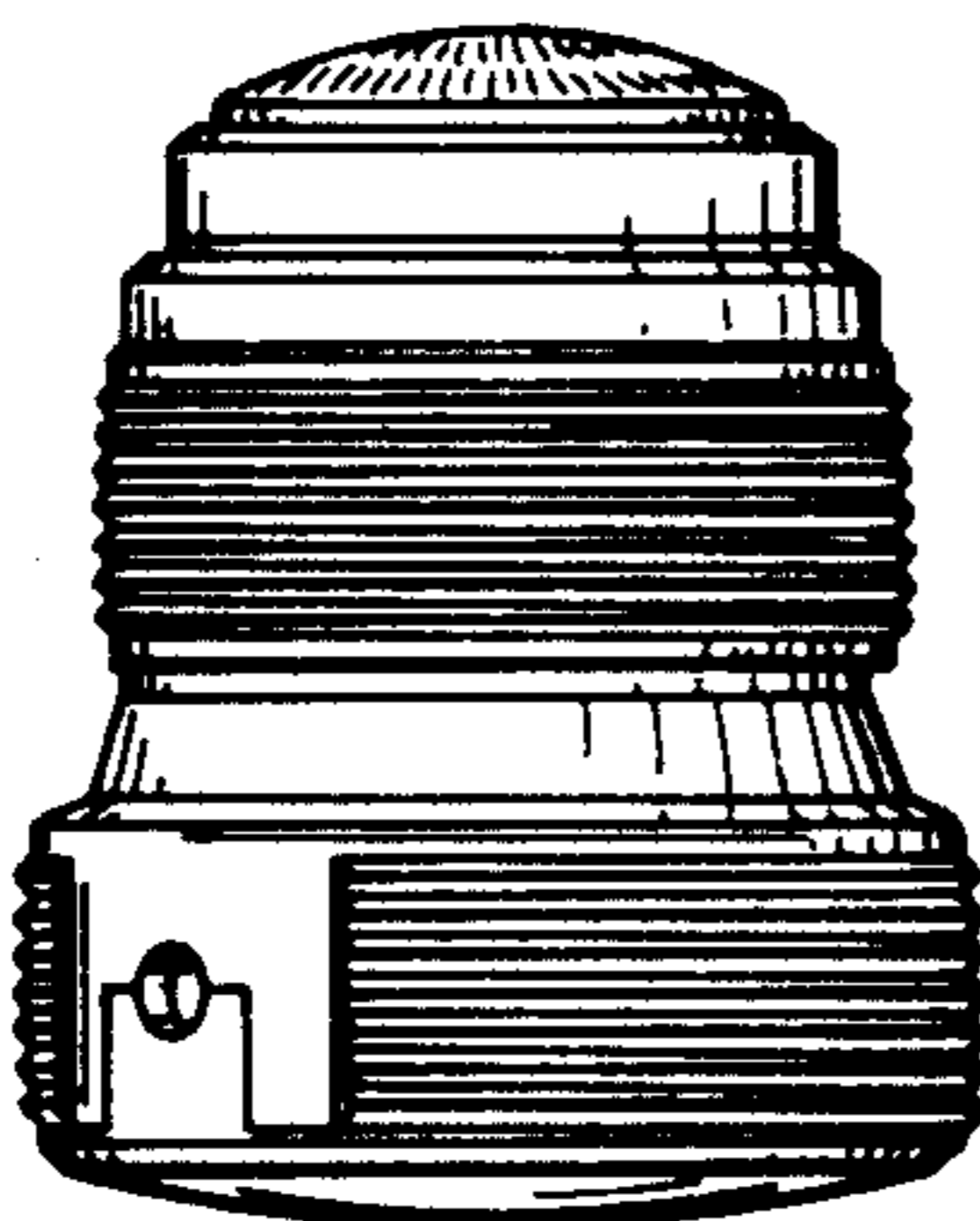
FIG\_2



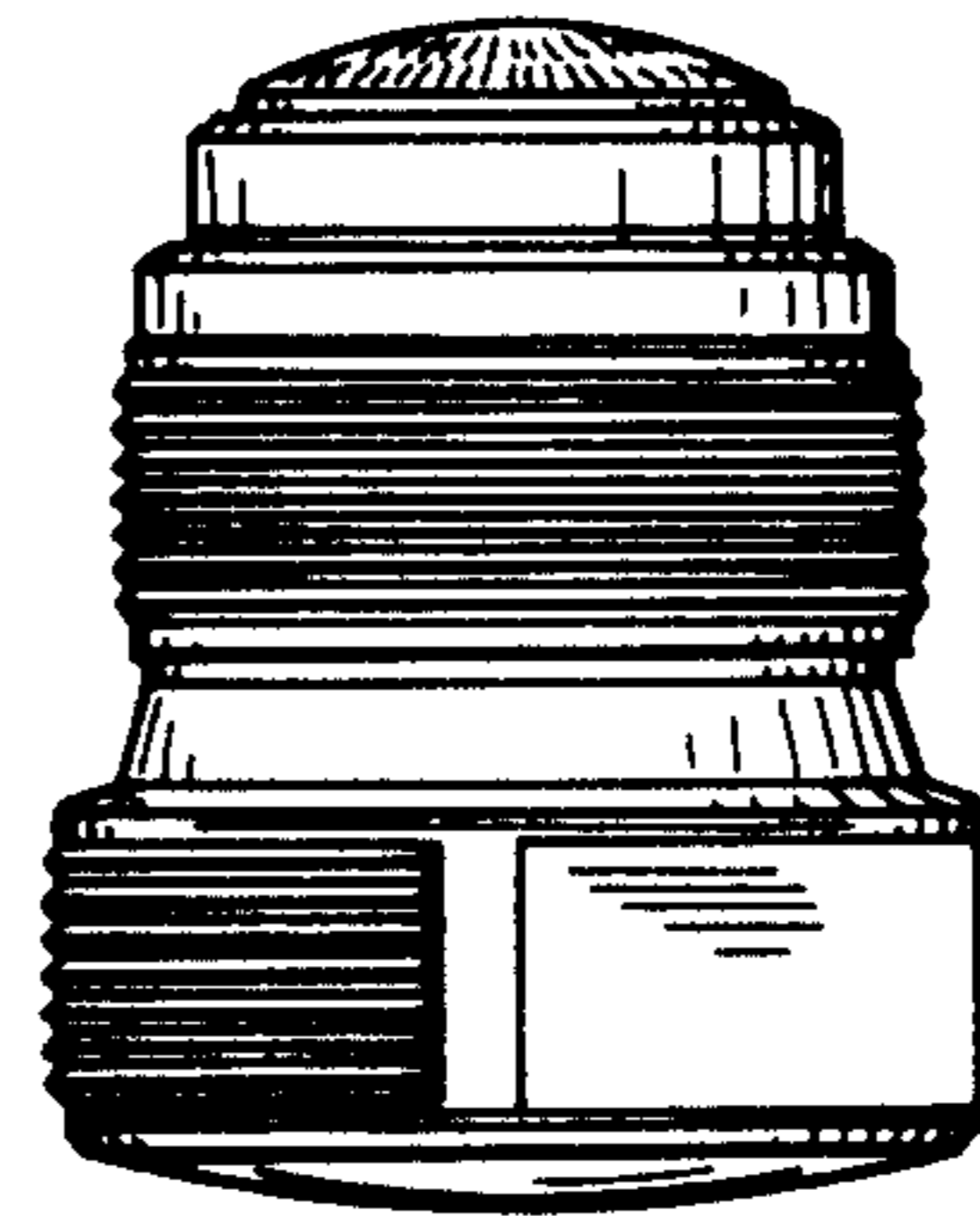
FIG\_3



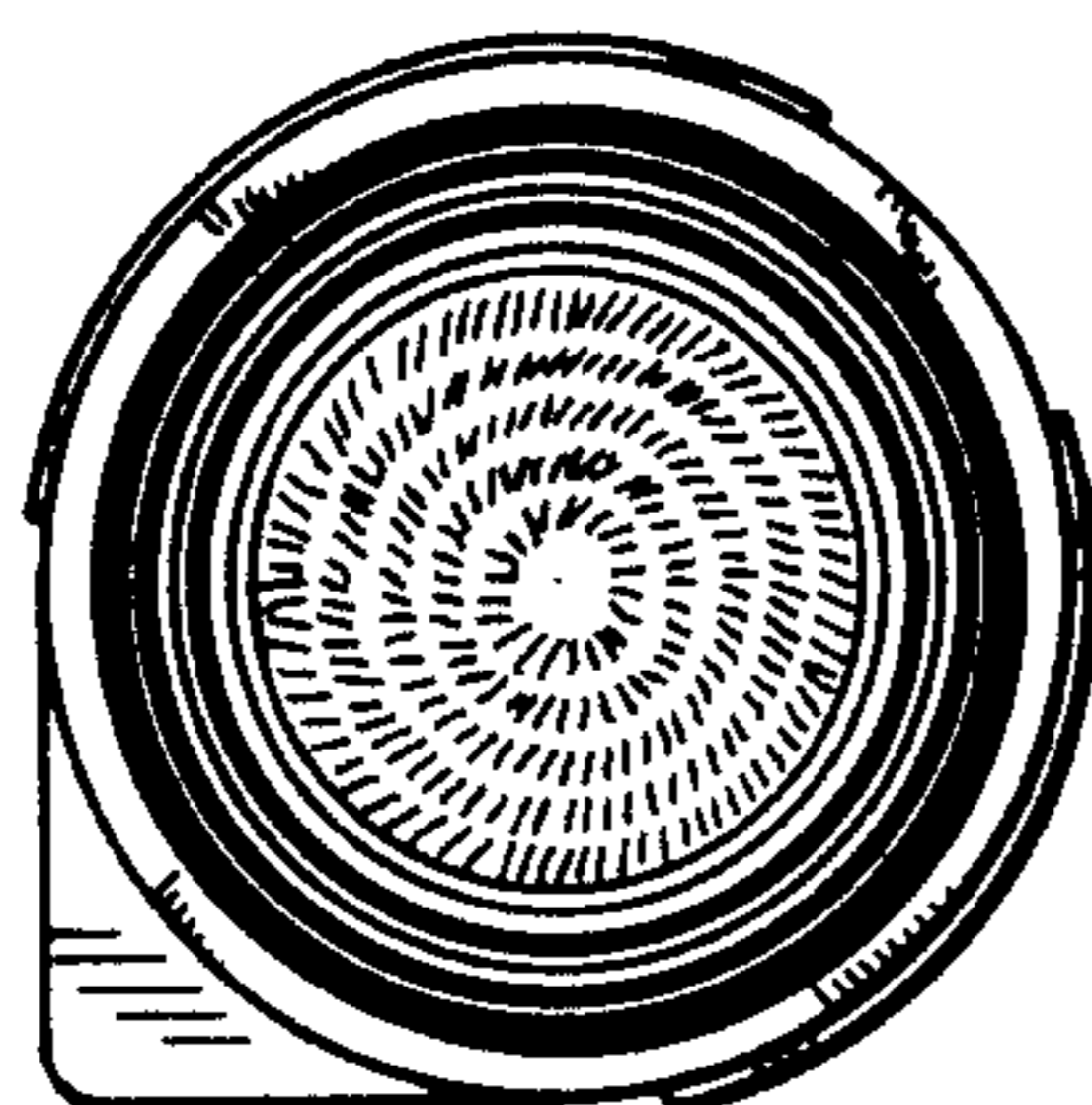
FIG\_4



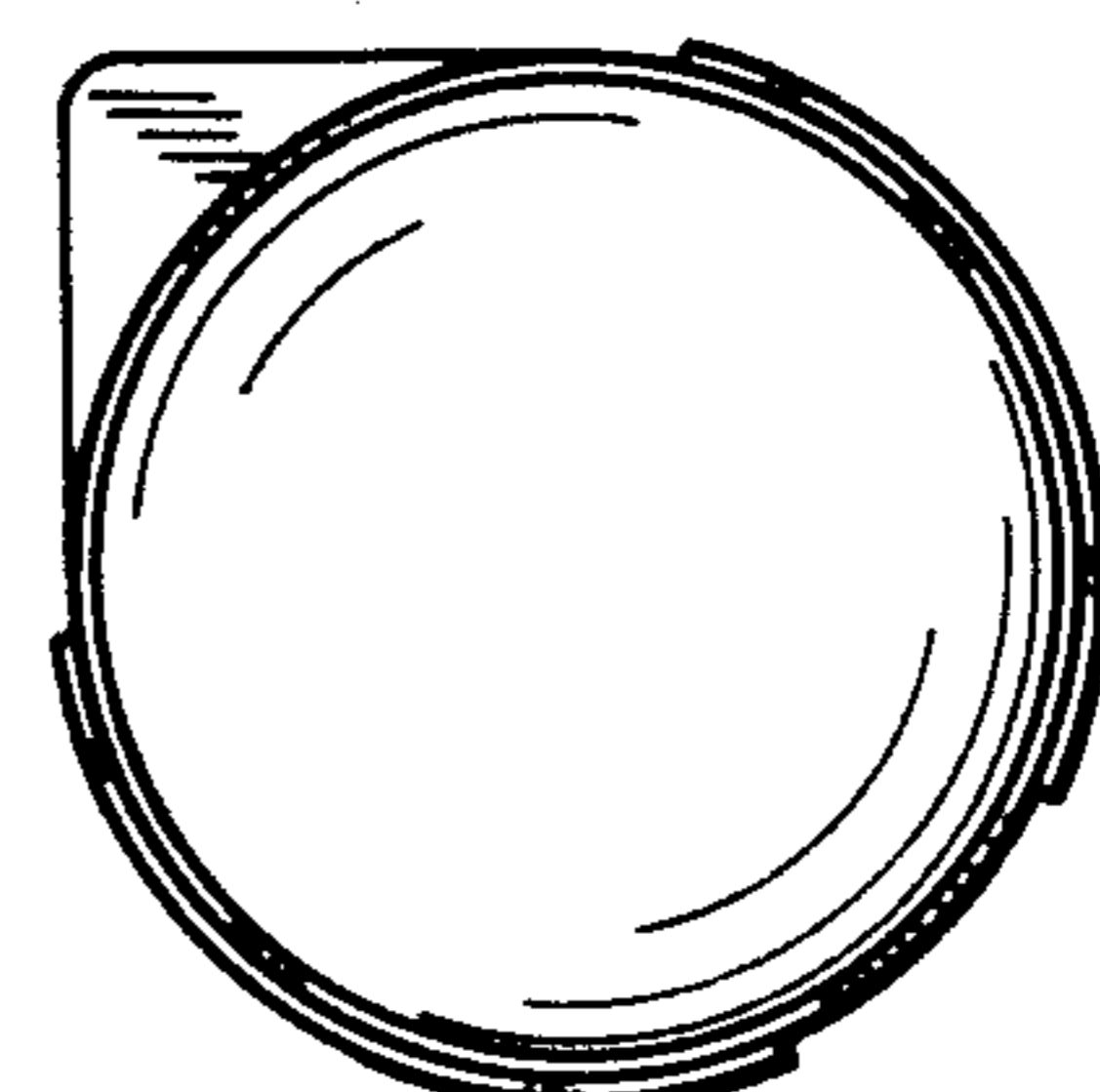
FIG\_5



FIG\_6



FIG\_7



FIG\_8