

[54] SAFETY RAZOR CARTRIDGE WITH CLEAN-OUT DEVICE

4,047,296 9/1977 Ishida et al. .... 30/41

[75] Inventor: Evan N. Chen, Fairfield, Conn.

FOREIGN PATENT DOCUMENTS

[73] Assignee: Warner-Lambert Company, Morris Plains, N.J.

2500563 7/1975 Fed. Rep. of Germany ..... 30/47

[\*\*] Term: 14 Years

Primary Examiner—Louis S. Zarfes  
Attorney, Agent, or Firm—Jeremiah J. Duggan; Stephen A. Schneeberger

[21] Appl. No.: 946,389

[57] CLAIM

[22] Filed: Sep. 27, 1978

The ornamental design for a safety razor cartridge with clean-out device, as shown and described.

[51] Int. Cl. .... D28—03

DESCRIPTION

[52] U.S. Cl. .... D28/47

[58] Field of Search ..... D28/44-48;  
30/32, 34 R, 47, 50, 62, 63, 41, 346.58, 346.59

FIG. 1 is a top rear perspective view of a safety razor cartridge with a clean-out device showing my new design;

[56] References Cited

U.S. PATENT DOCUMENTS

- D. 224,852 9/1972 Dorion, Jr. .... D28/47
- 3,964,159 6/1976 Ferraro ..... 30/47
- 3,972,114 8/1976 Chao et al. .... 30/41

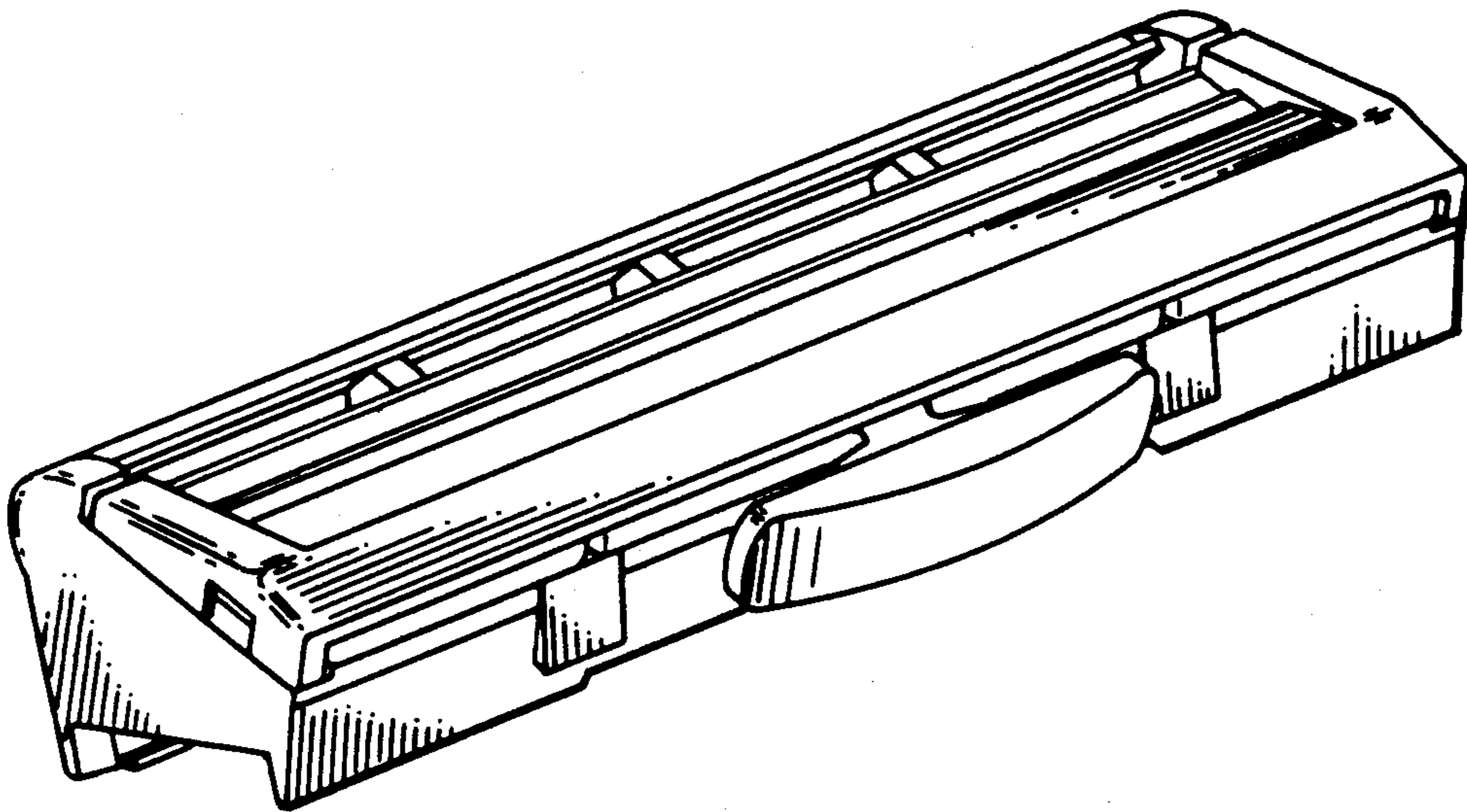
FIG. 2 is a top plan view thereof;

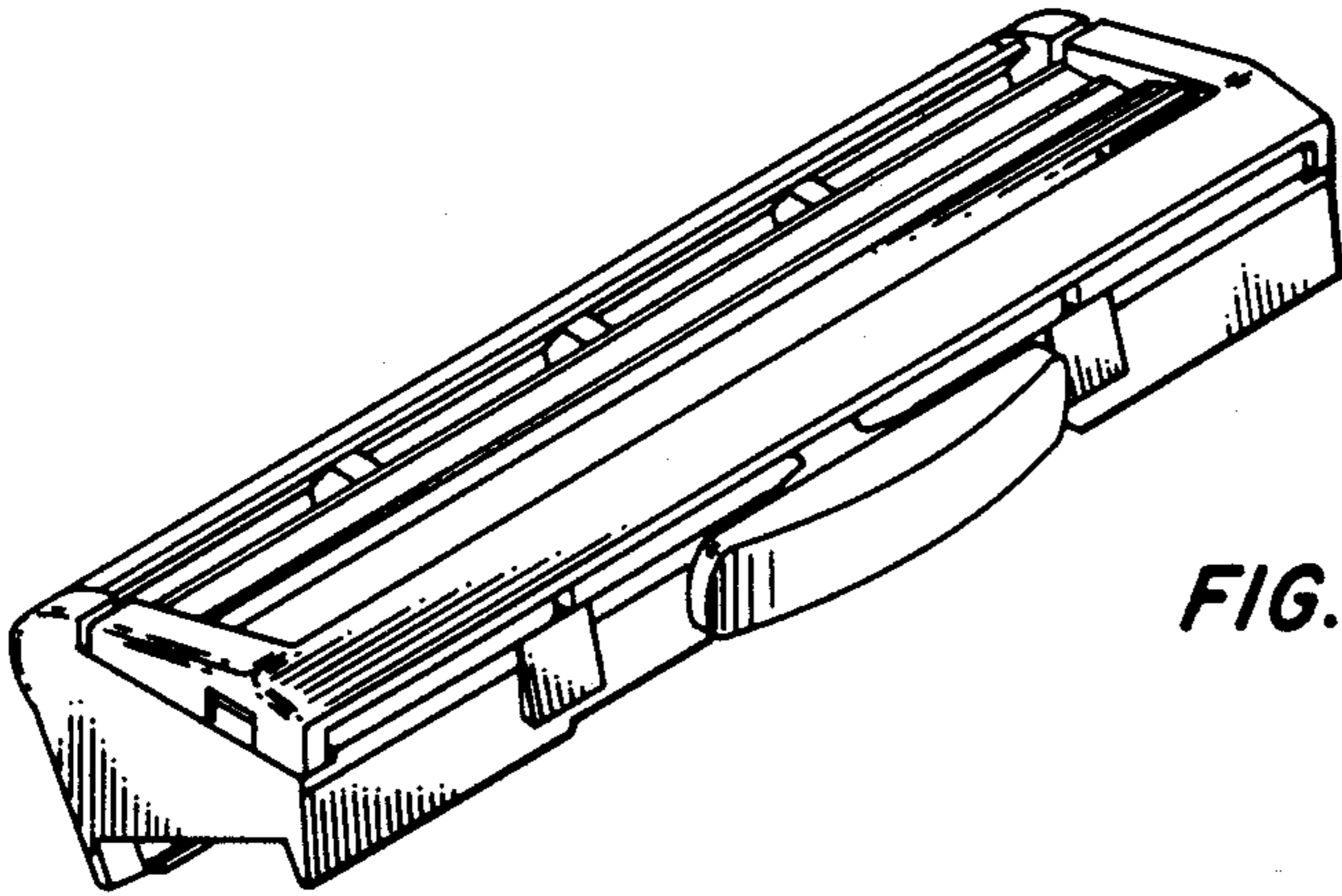
FIG. 3 is a front elevational view thereof;

FIG. 4 is a right side elevational view thereof; and

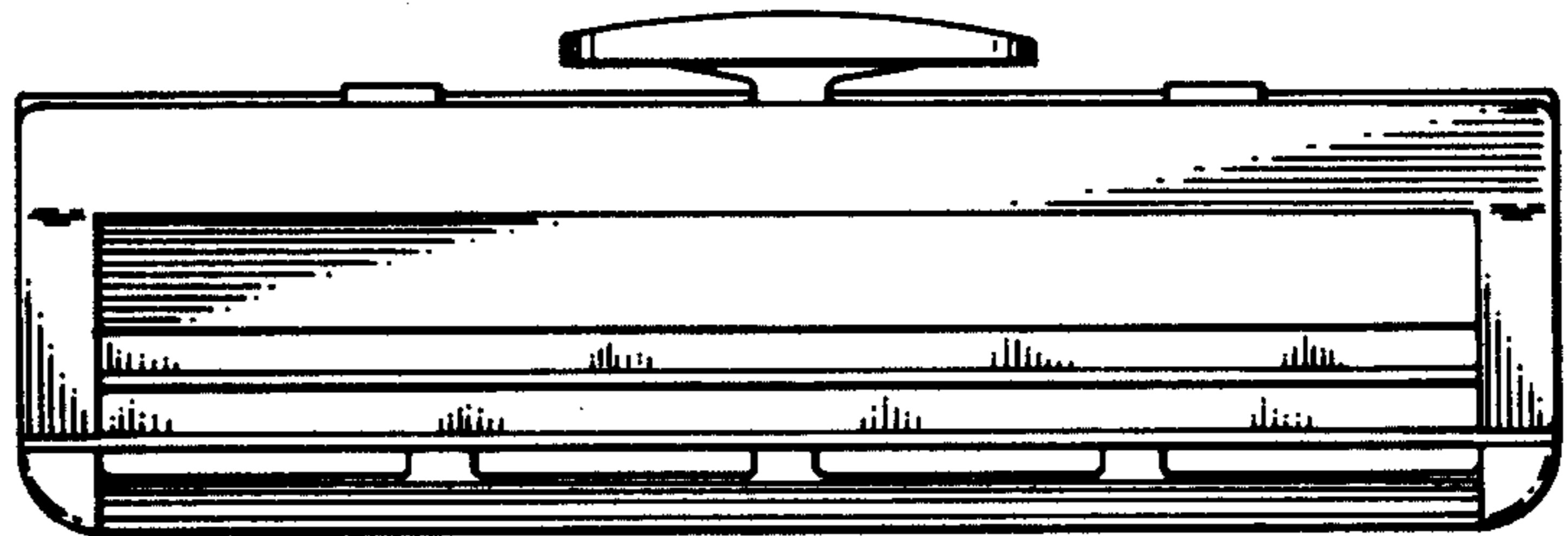
FIG. 5 is a bottom plan view thereof.

The left side elevational view of the cartridge is a mirror image of FIG. 4.

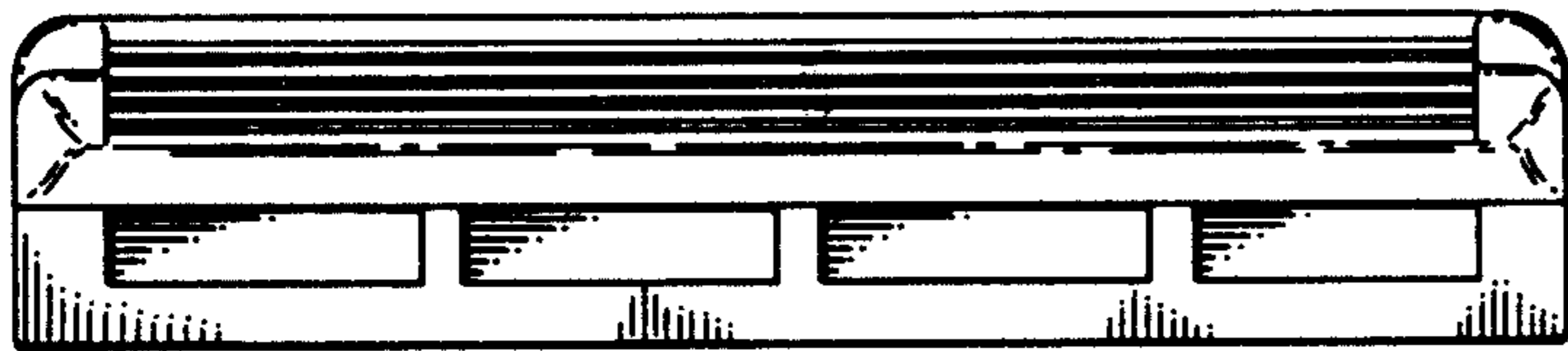




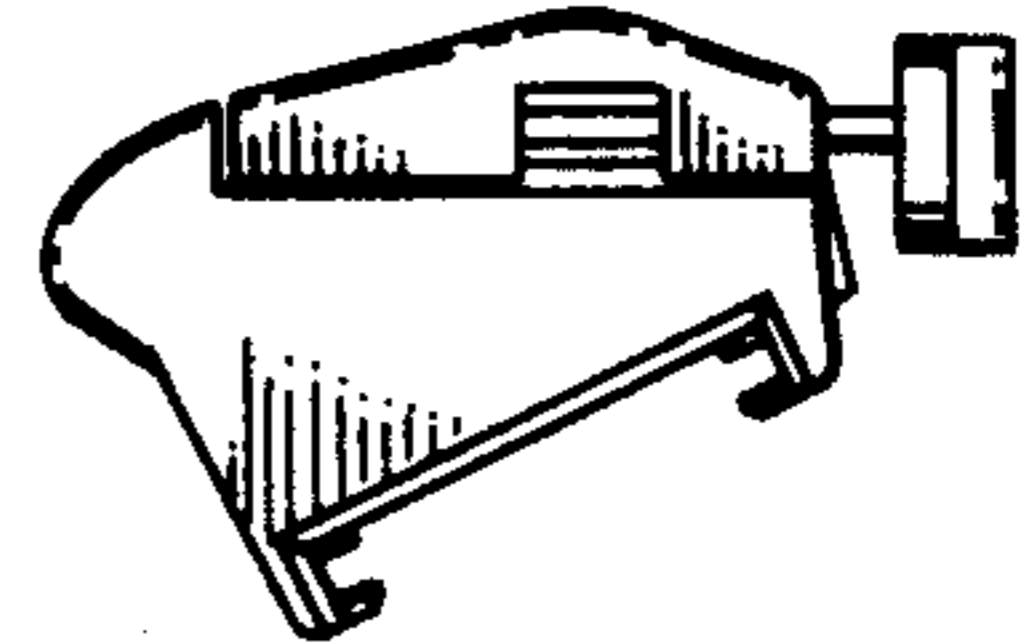
*FIG. 1*



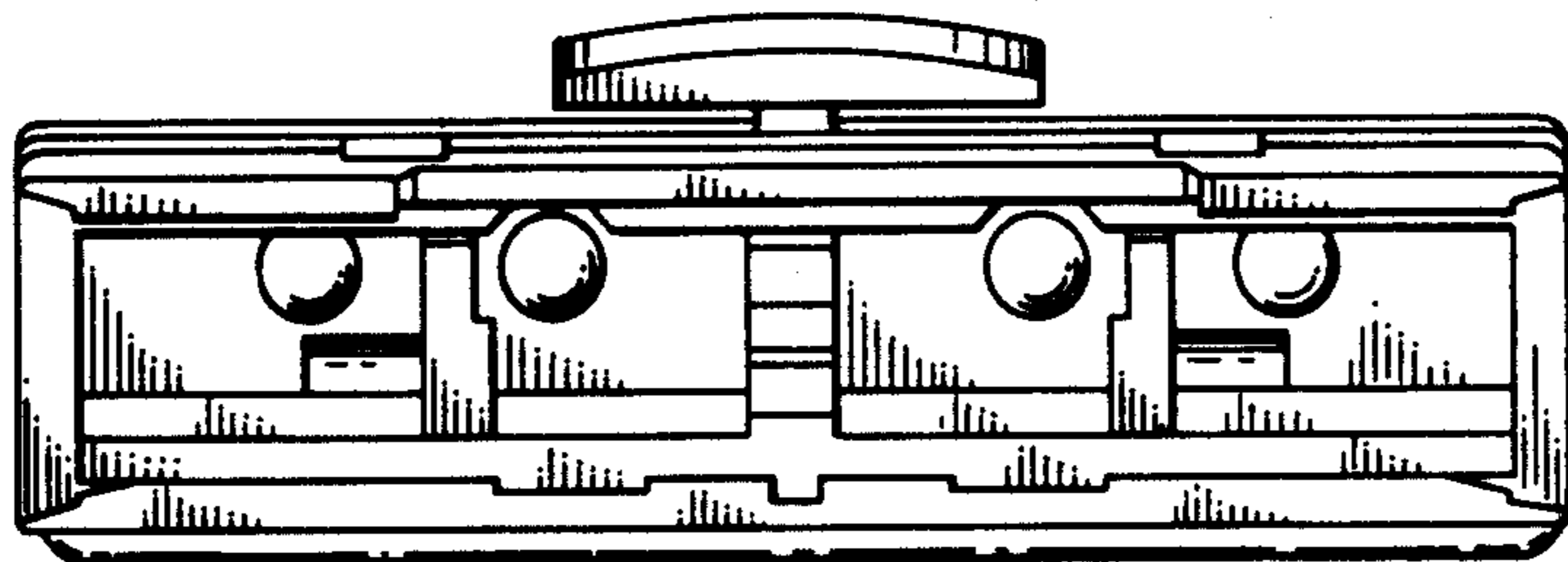
*FIG. 2*



*FIG. 3*



*FIG. 4*



*FIG. 5*