

[54] RAZOR BLADE ASSEMBLY

[75] Inventor: Robert A. Trotta, Winthrop, Mass.  
 [73] Assignee: The Gillette Company, Boston, Mass.  
 [\*\*] Term: 14 Years  
 [21] Appl. No.: 890,223  
 [22] Filed: Mar. 24, 1978  
 [51] Int. Cl. .... D28-03  
 [52] U.S. Cl. .... D28/47  
 [58] Field of Search ..... D28/44-48;  
 30/32, 34 R, 47, 50, 90, 346.58, 346.59

[56] References Cited

U.S. PATENT DOCUMENTS

D. 164,287	8/1951	Bacco et al. ....	D28/46
1,480,030	1/1924	Statham .....	30/47
2,800,713	7/1951	Roth .....	30/47 X
3,815,233	6/1974	Carroll .....	30/85 X

FOREIGN PATENT DOCUMENTS

1039546 10/1953 France ..... 30/50

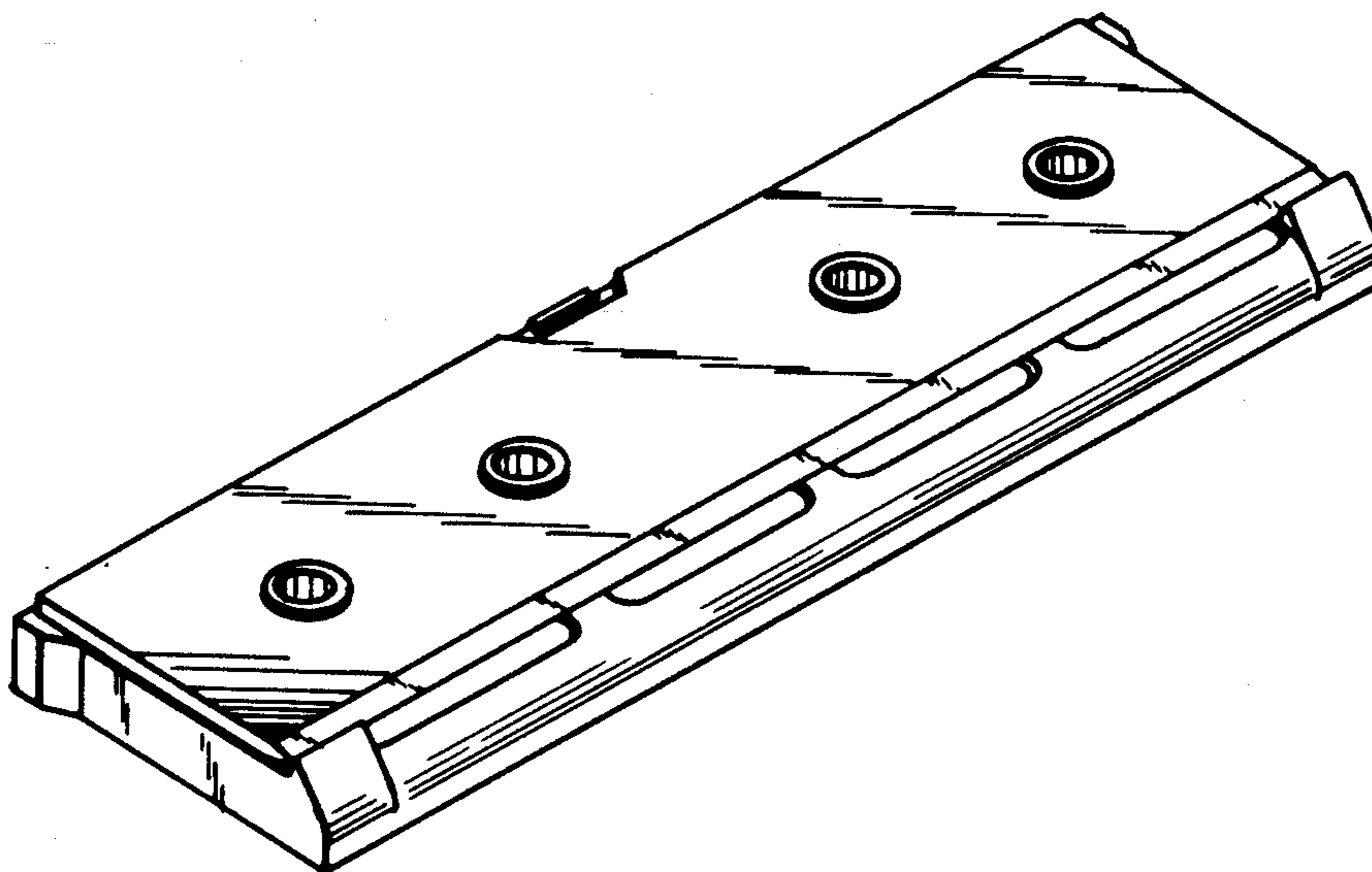
Primary Examiner—Louis S. Zarfes  
 Attorney, Agent, or Firm—Richard A. Wise; Scott R. Foster

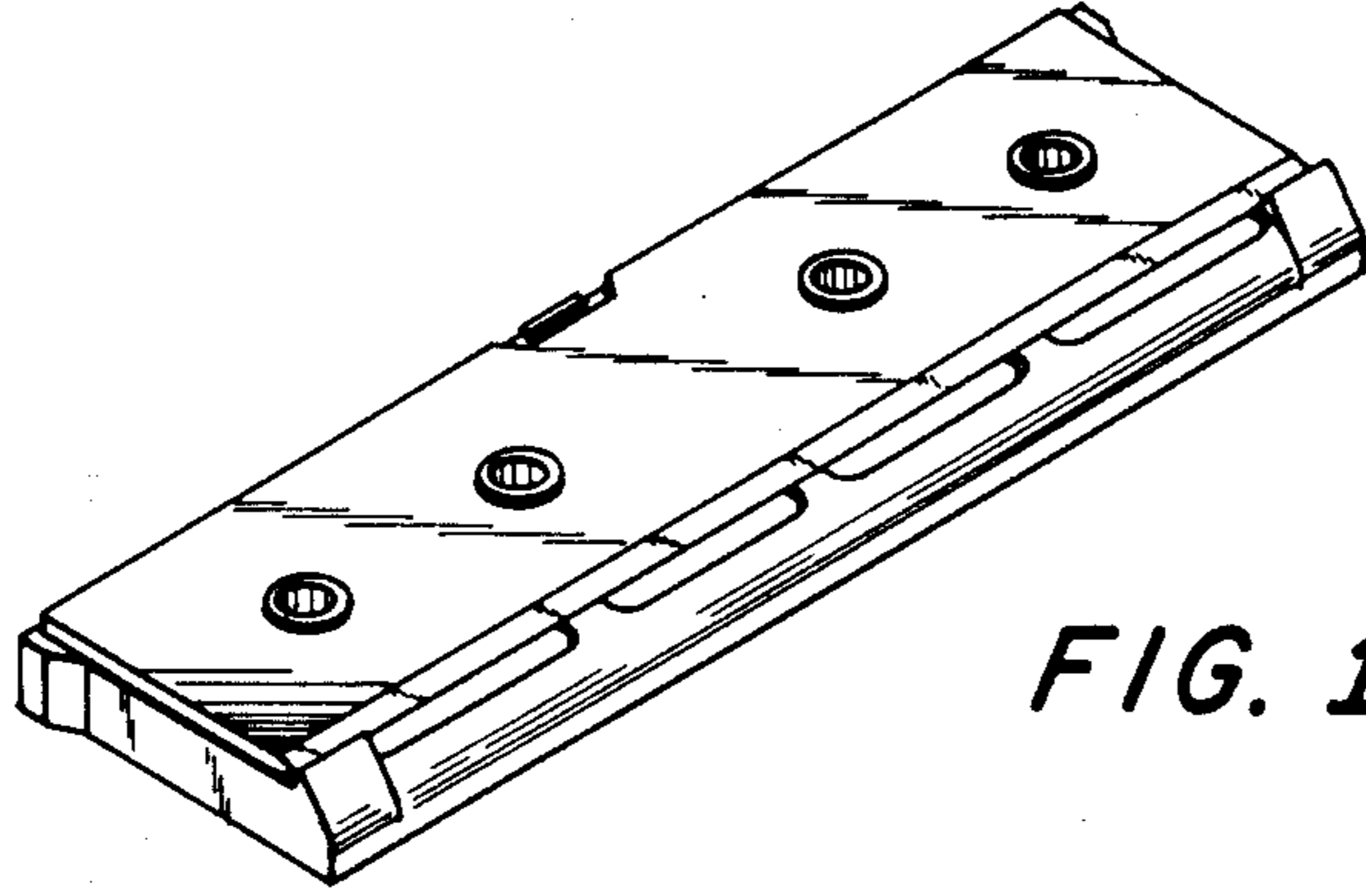
[57] CLAIM

The ornamental design for a razor blade assembly, substantially as shown and described.

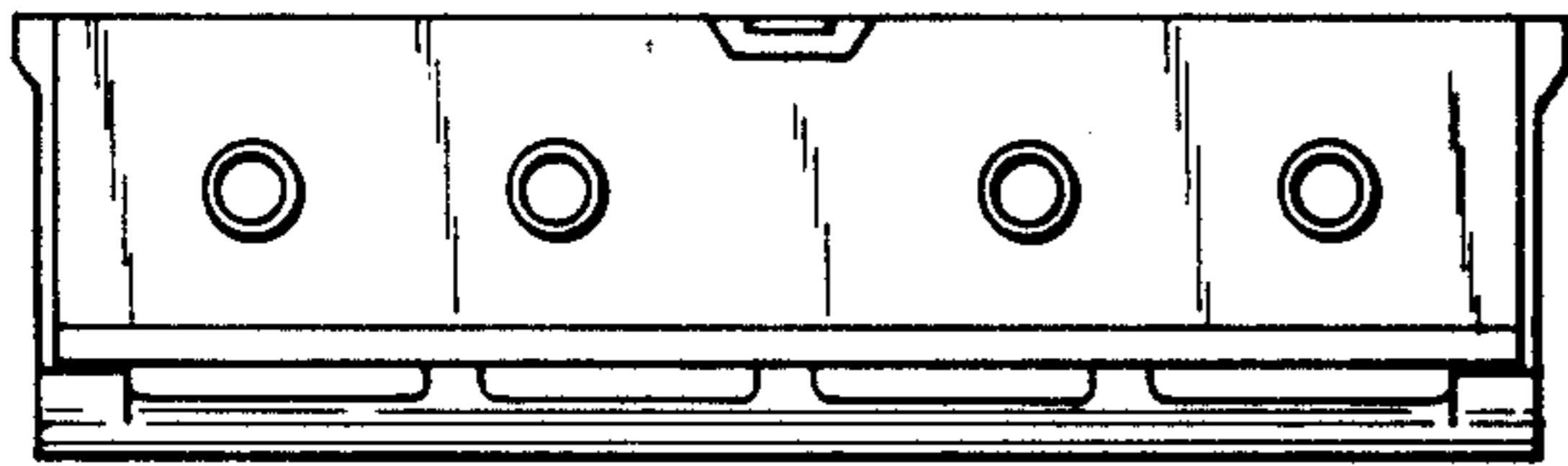
DESCRIPTION

FIG. 1 is a perspective view of a razor blade assembly showing my new design;  
 FIG. 2 is a top plan view thereof;  
 FIG. 3 is a bottom plan view thereof;  
 FIG. 4 is a front elevational view thereof;  
 FIG. 5 is a rear elevational view thereof; and  
 FIG. 6 is a left side elevational view, the opposite side being substantially a mirror image thereof.

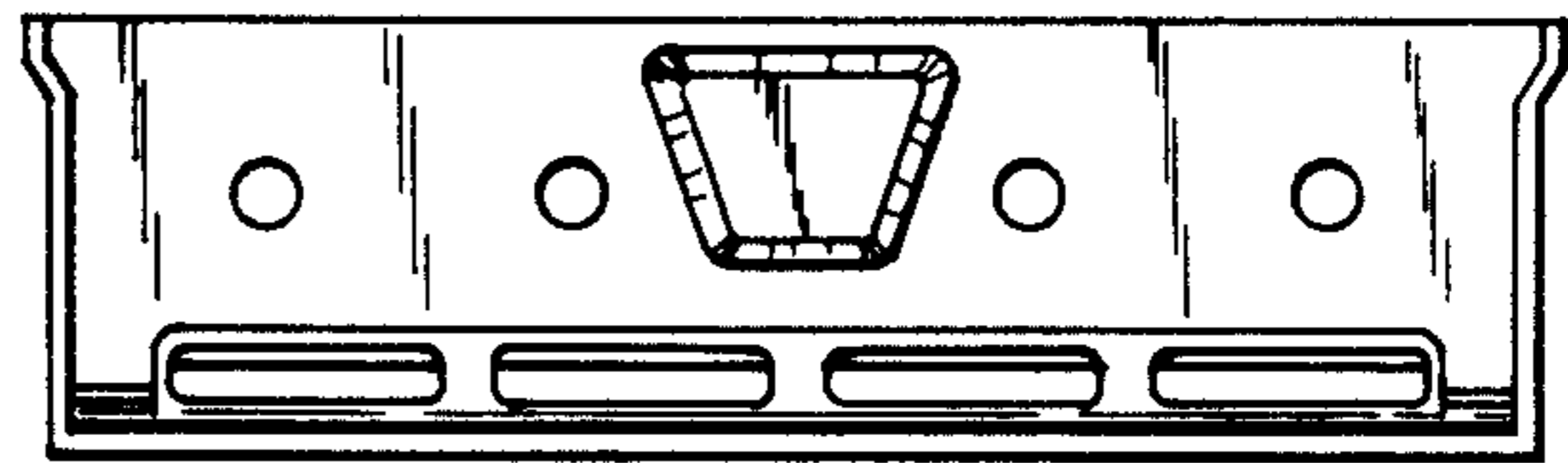




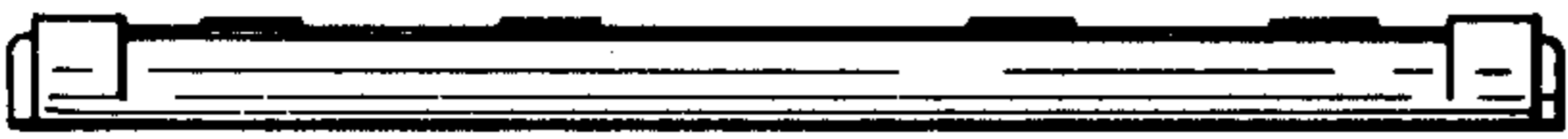
*FIG. 1*



*FIG. 2*



*FIG. 3*



*FIG. 4*



*FIG. 5*



*FIG. 6*