

[54] SAFETY RAZOR CARTRIDGE WITH CLEAN-OUT DEVICE

[75] Inventor: Evan N. Chen, Fairfield, Conn.

[73] Assignee: Warner-Lambert Company, Morris Plains, N.J.

[\*\*] Term: 14 Years

[21] Appl. No.: 886,711

[22] Filed: Mar. 15, 1978

[51] Int. Cl. .... D28-03

[52] U.S. Cl. .... D28/47

[58] Field of Search ..... D28/44-48; 30/32, 34 R, 47, 50, 41, 62, 63, 346.58, 346.59

[56] References Cited

U.S. PATENT DOCUMENTS

- D. 87,192 6/1932 Behrman ..... D28/46
- D. 243,638 3/1977 Poisson ..... D28/47
- 3,972,114 8/1976 Chao et al. .... 30/41

4,047,296 9/1977 Ishida et al. .... 30/41

FOREIGN PATENT DOCUMENTS

2500563 7/1975 Fed. Rep. of Germany ..... 30/47

Primary Examiner—Louis S. Zarfes  
Attorney, Agent, or Firm—Jeremiah J. Duggan; Stephen A. Schneeberger

[57] CLAIM

The ornamental design for a safety razor cartridge with clean-out device, as shown and described.

DESCRIPTION

FIG. 1 is a top rear perspective view of a safety razor cartridge with a clean-out device showing my new design;

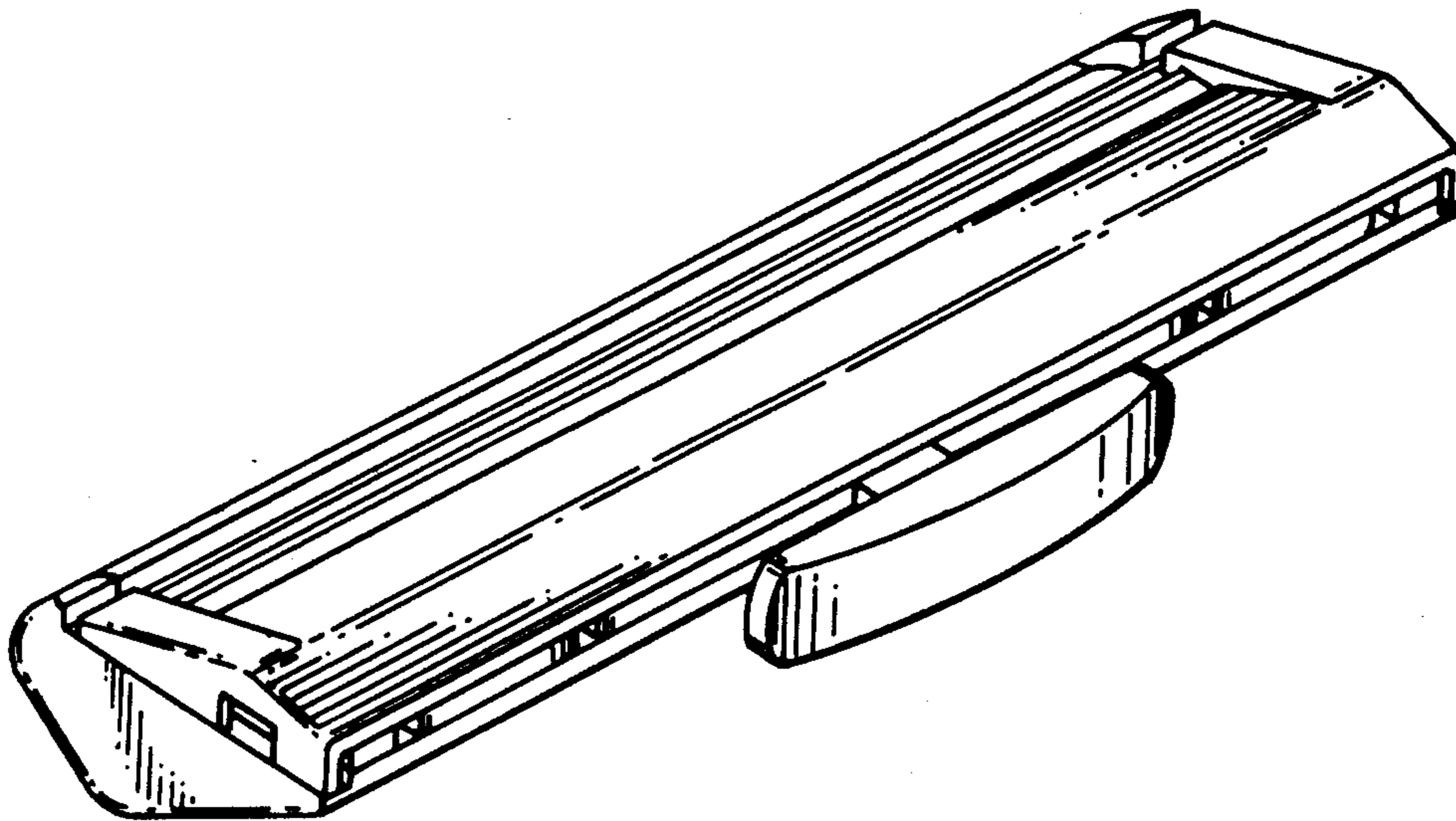
FIG. 2 is a top plan view thereof;

FIG. 3 is a front elevational view thereof;

FIG. 4 is a right side elevational view thereof; and

FIG. 5 is a bottom plan view thereof.

The left side elevational view of the cartridge is a mirror image of FIG. 4.



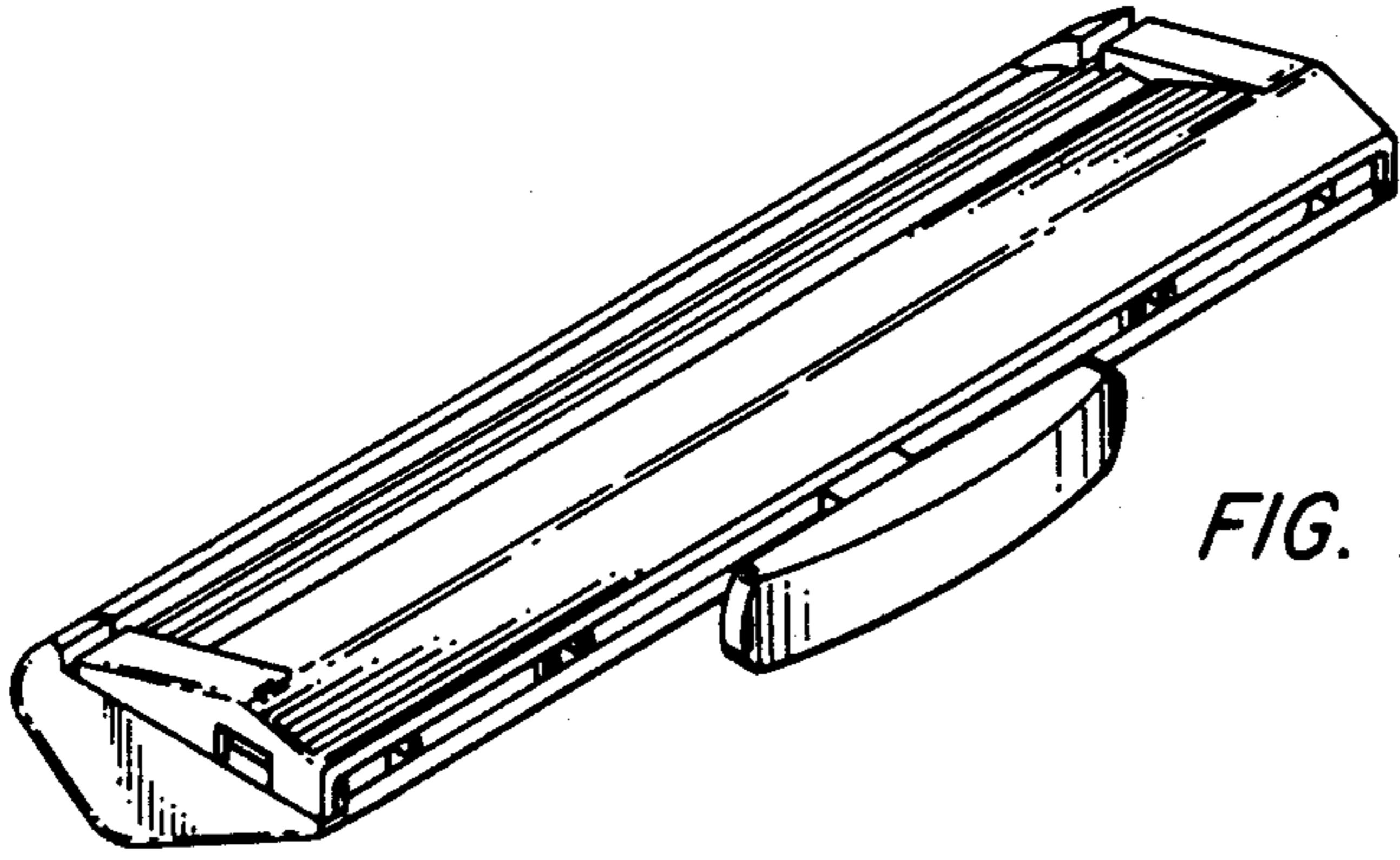


FIG. 1

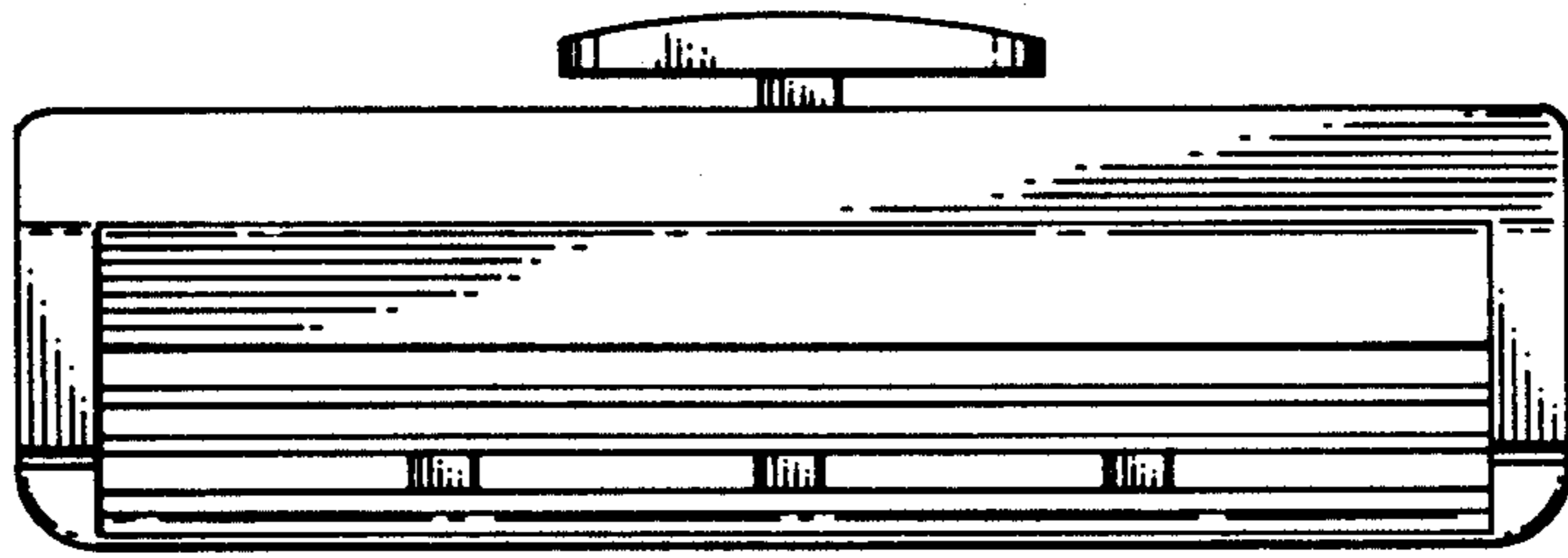


FIG. 2

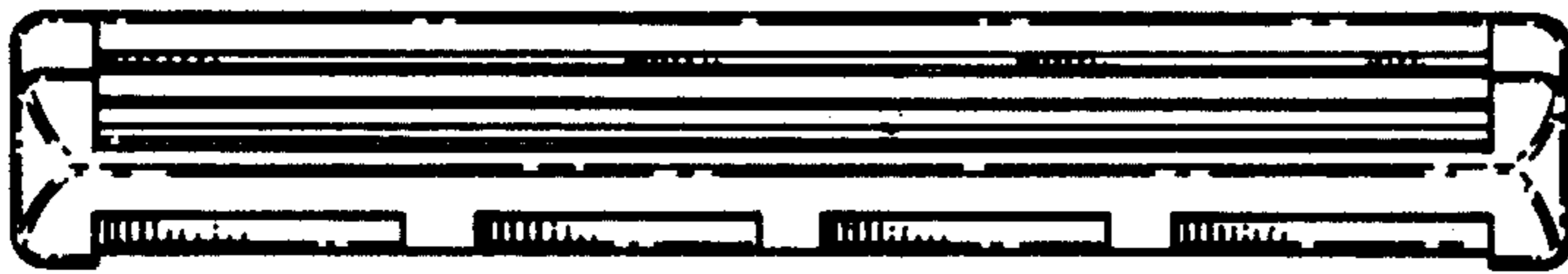


FIG. 3

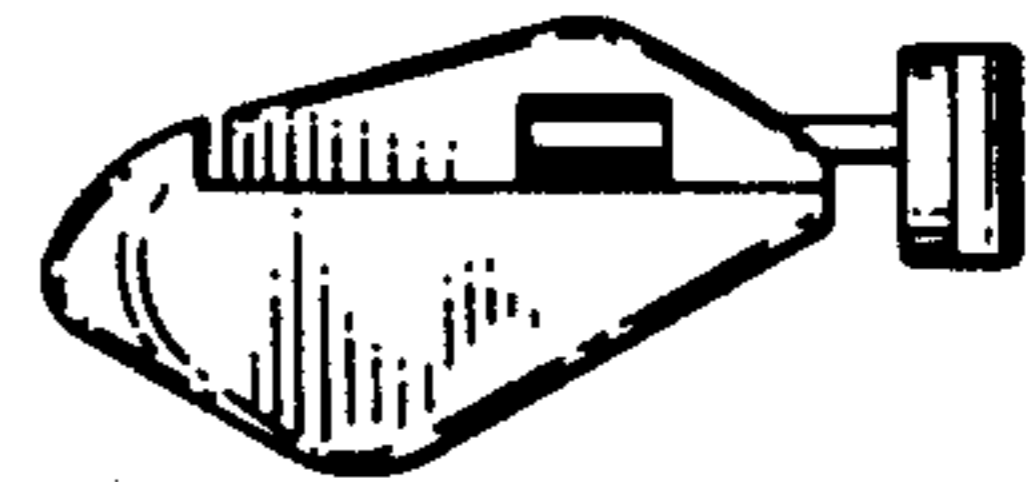


FIG. 4

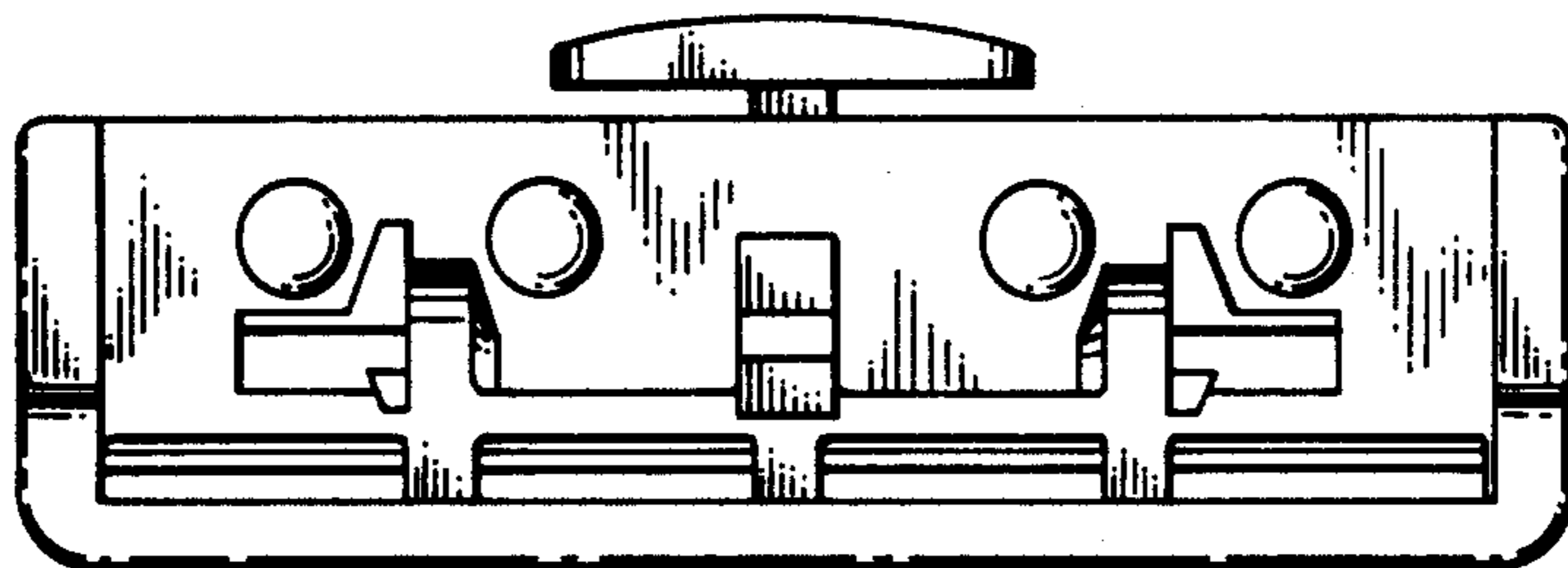


FIG. 5