

[54] CONNECTION FITTING FOR TUBULAR CONDUITS

[76] Inventor: Bill P. P. Nederman, Haladid 3, S-252 33 Heisingborg, Sweden

[**] Term: 14 Years

[21] Appl. No.: 786,681

[22] Filed: Apr. 11, 1977

[30] Foreign Application Priority Data

Oct. 21, 1976 [SE] Sweden 2040/76

[51] Int. Cl. D23-01

[52] U.S. Cl. D23/43; 285/175; 285/423

[58] Field of Search D23/40-47; 285/70, 239, DIG. 22, 175, 331, 423

[56] References Cited

U.S. PATENT DOCUMENTS

D. 49,474 8/1916 Fargo D23/43

| | | | |
|------------|--------|----------------------|---------------|
| D. 118,575 | 1/1940 | Thomas, Jr. | D23/43 |
| 214,991 | 5/1879 | Coler | 285/423 |
| 444,676 | 1/1891 | Shull | 285/20 |
| 909,131 | 1/1909 | Antie | 285/239 |
| 1,909,058 | 5/1933 | Horbach | 285/70 |
| 3,493,251 | 2/1970 | Kramer | 285/331 X |
| 3,603,621 | 9/1971 | Parsons | 285/DIG. 22 X |
| 3,785,682 | 1/1974 | Schaller et al. | 285/DIG. 22 X |
| 3,899,198 | 8/1975 | Maroschak | 285/DIG. 22 X |
| 4,099,744 | 7/1978 | Kutnyak et al. | 285/DIG. 22 X |

Primary Examiner—James R. Largen
Attorney, Agent, or Firm—John J. Dennemeyer

[57] CLAIM

The ornamental design of a connection fitting for tubular conduits, as shown and described.

DESCRIPTION

FIG. 1 is a perspective view taken from one end of a connection fitting for tubular conduits showing my new design; and

FIG. 2 is a perspective view taken from the end opposite that shown in FIG. 1.

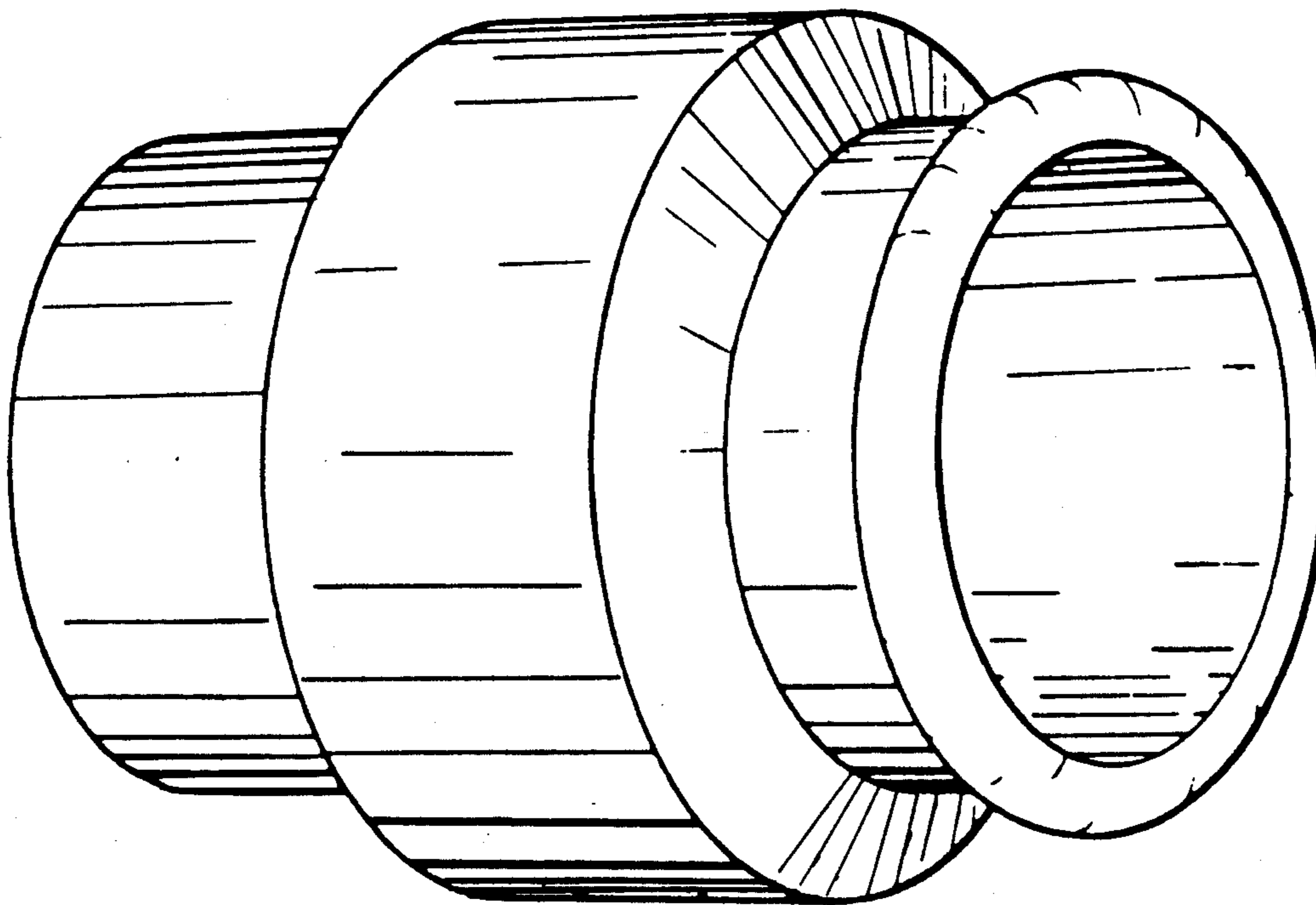


FIG. 1

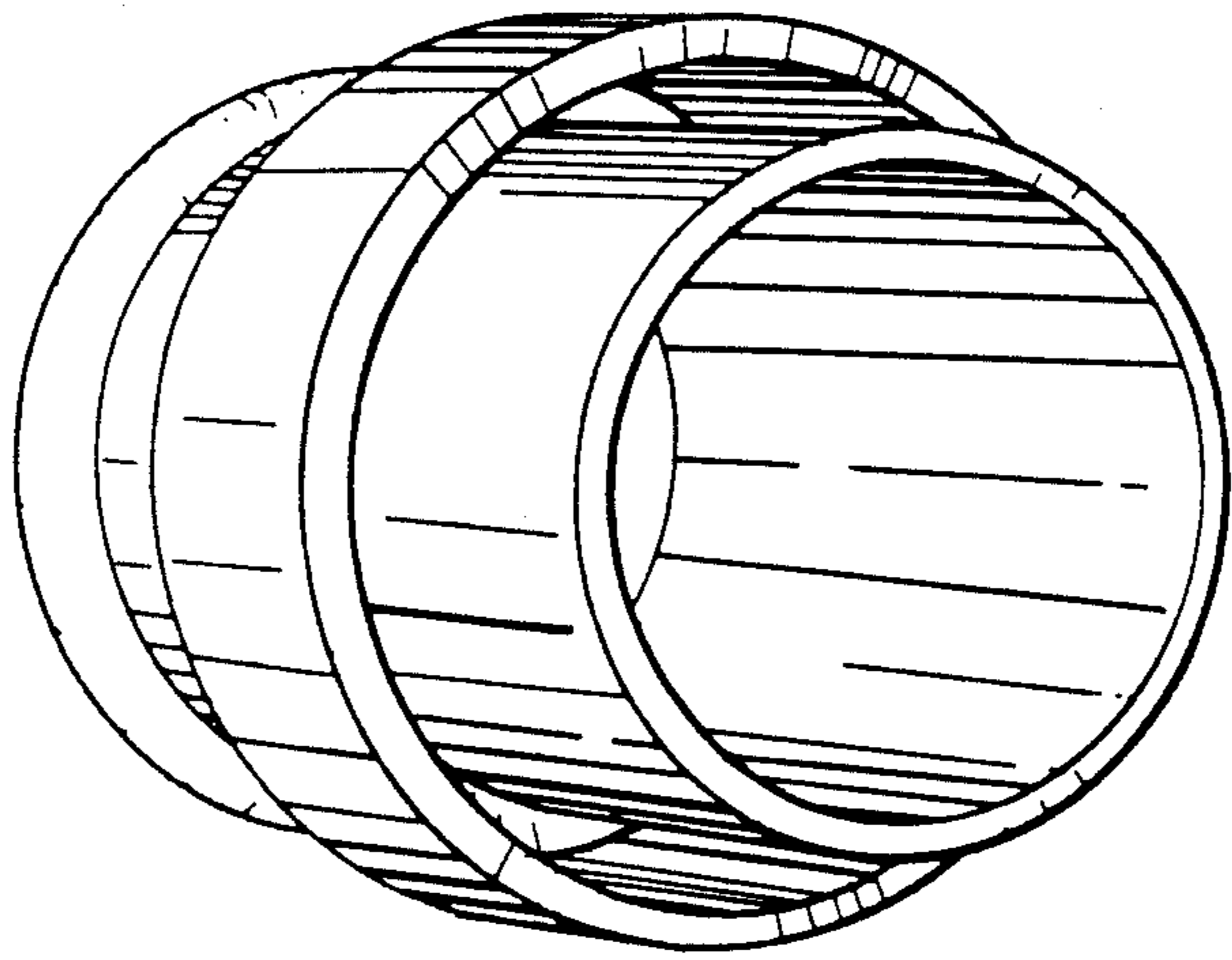
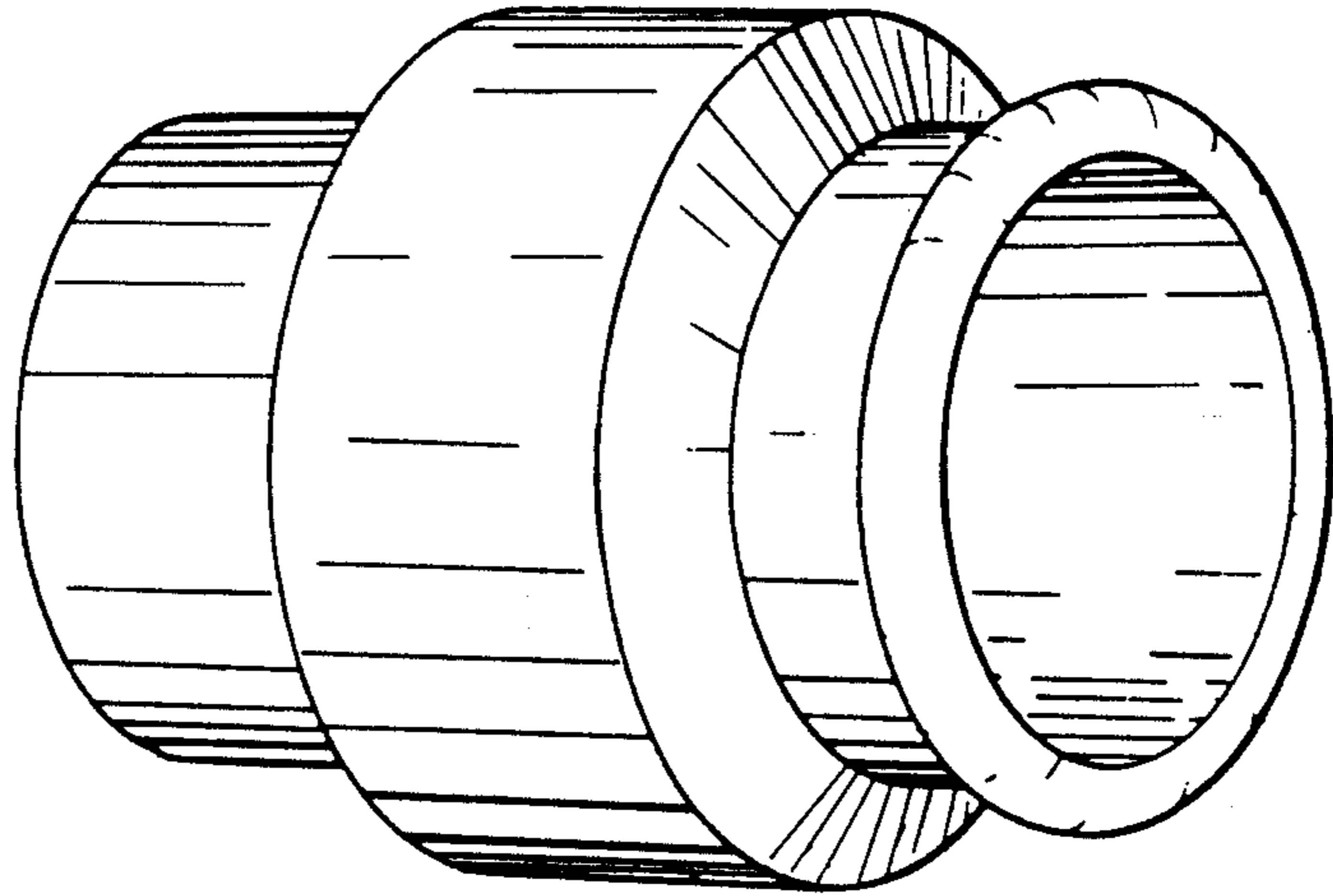


FIG. 2