

[54] ELECTRIC BATON FOR LAW ENFORCEMENT PERSONNEL

2,466,308 4/1949 Fischer 231/2 E
3,625,222 12/1971 Shimizu 273/84 ES X
3,998,459 12/1976 Henderson et al. 273/84 ES

[76] Inventor: James A. Smith, 1 Thayer Rd., Colorado Springs, Colo. 80906

Primary Examiner—A. Hugo Word
Attorney, Agent, or Firm—Sheridan, Ross, Fields & McIntosh

[**] Term: 14 Years

[21] Appl. No.: 836,698

[57] CLAIM

[22] Filed: Sep. 26, 1977

The ornamental design for the electric baton for law enforcement personnel, as shown.

[51] Int. Cl. D22—02

[52] U.S. Cl. D22/1; D30/32

[58] Field of Search D30/32; 273/84 ES; 231/2 E; 361/232; D22/1, 99

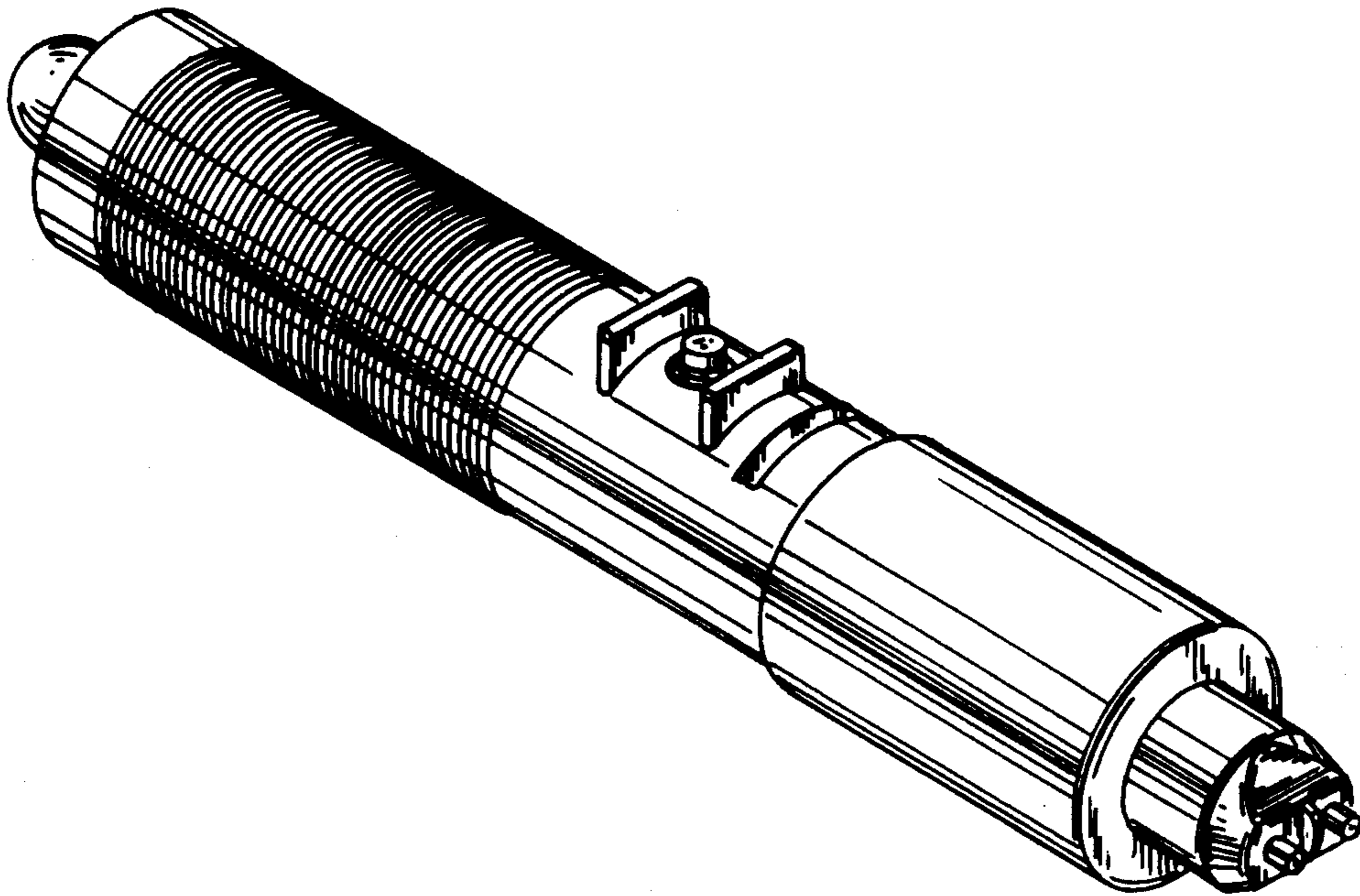
DESCRIPTION

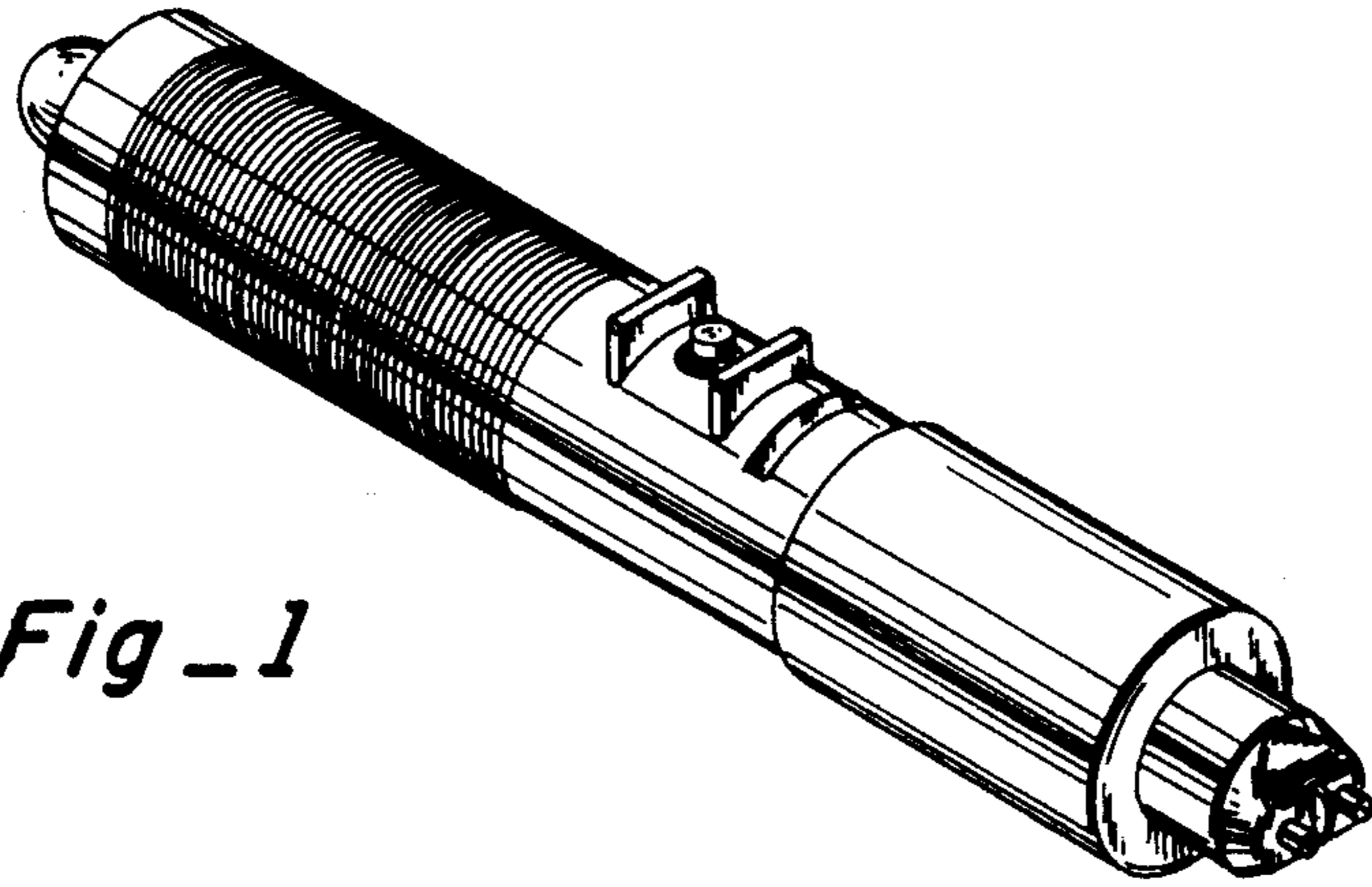
[56] References Cited

U.S. PATENT DOCUMENTS

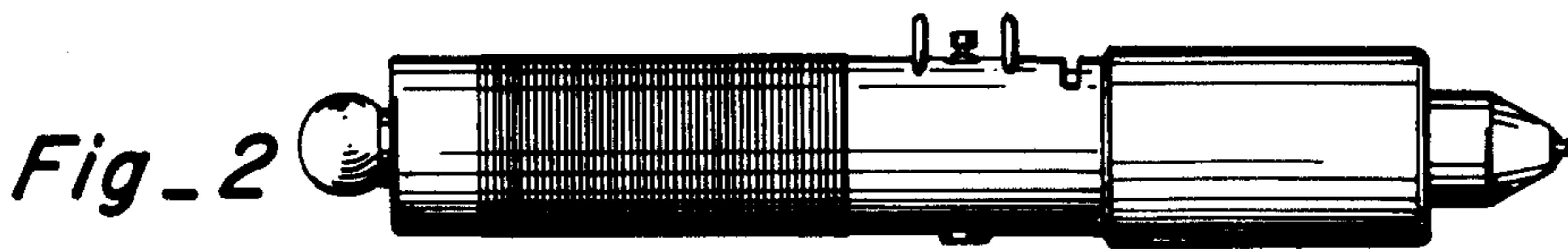
D. 247,324 2/1978 Bugler D22 1/
2,208,852 7/1940 Mongan 273/84 ES X

FIG. 1 is a perspective view of the electric baton for law enforcement personnel;
FIG. 2 is a side elevational view thereof;
FIG. 3 is a top plan view thereof;
FIG. 4 is a bottom plan view thereof;
FIG. 5 is a front elevational view thereof; and
FIG. 6 is a rear elevational view thereof.

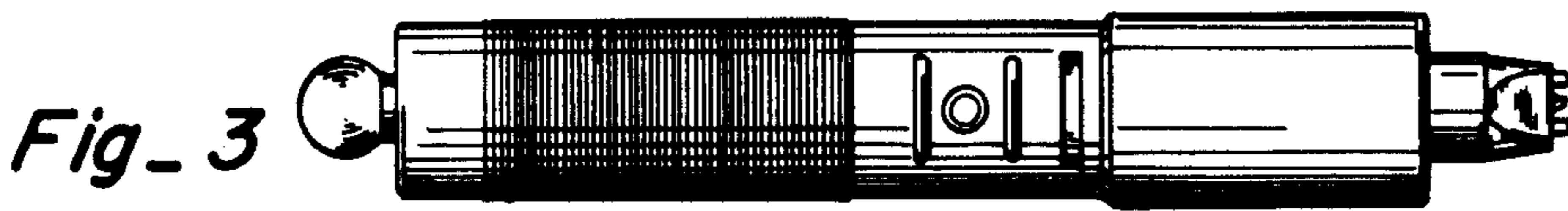




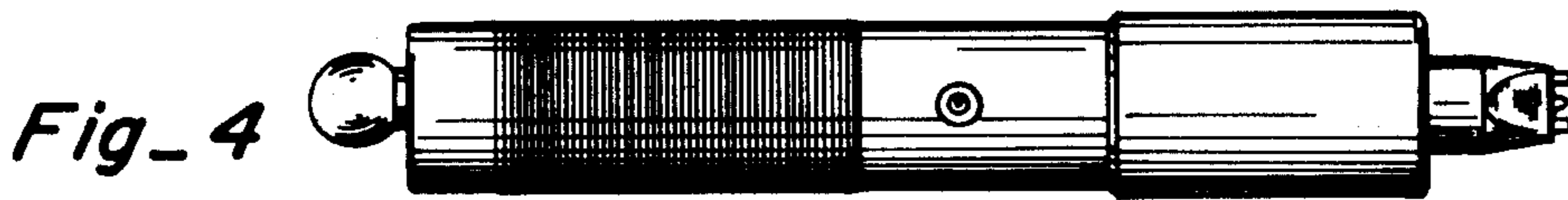
Fig_1



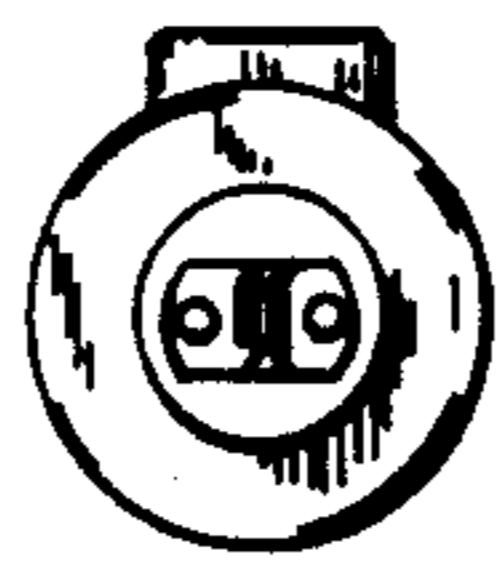
Fig_2



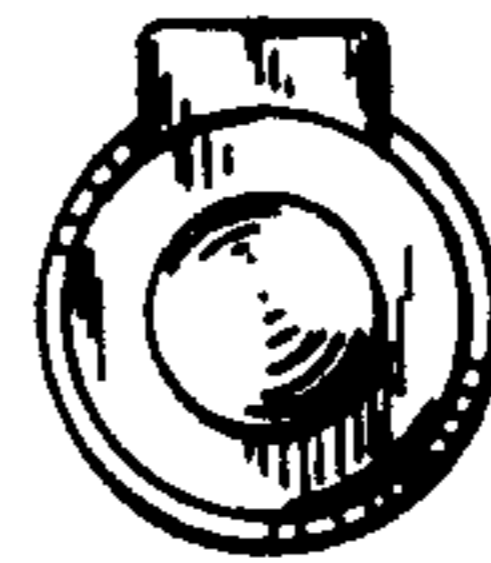
Fig_3



Fig_4



Fig_5



Fig_6