

[54] TURNTABLE

[76] Inventor: Cary L. Christie, 1027 Crosby, Simi Valley, Calif. 93065

[**] Term: 14 Years

[21] Appl. No.: 803,398

[22] Filed: Jun. 3, 1977

[51] Int. Cl. D14-01

[52] U.S. Cl. D14/17

[58] Field of Search D14/1, 14, 17, 25, 27, D14/68, 99; 274/9 RA

[56] References Cited

U.S. PATENT DOCUMENTS

D. 233,365	10/1974	Tomioka	D14/14
D. 234,158	1/1975	McQuarrie	D14/25 X
3,845,250	10/1974	O'Brien	274/9 RA X

OTHER PUBLICATIONS

Home Furnishings Daily, 3-4-76, p. 15, "Accutrac 4000", Item.

Merchandising, 6-77, p. 105, Turntable.

Primary Examiner—Joel Stearman

Assistant Examiner—Jane E. Corrigan

Attorney, Agent, or Firm—Lewis Anten

[57] CLAIM

The ornamental design for a turntable, as shown and described.

DESCRIPTION

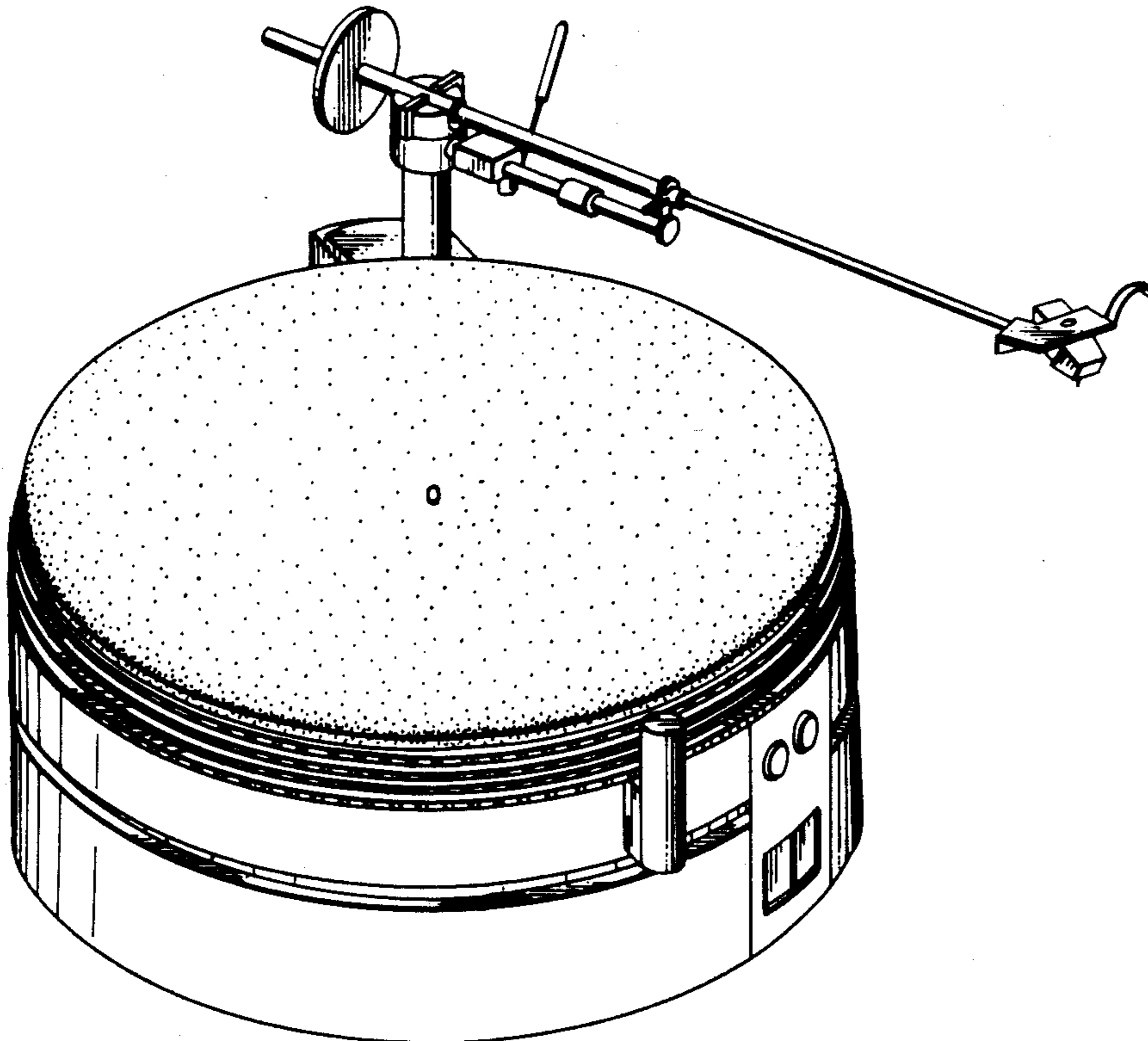
FIG. 1 is a top perspective view of a turntable showing my new design;

FIG. 2 is a top plan view;

FIG. 3 is an elevational view taken in the direction of arrows 3-3 in FIG. 2;

FIG. 4 is an elevational view taken in the direction of arrows 4-4 in FIG. 2; and

FIG. 5 is a bottom plan view.



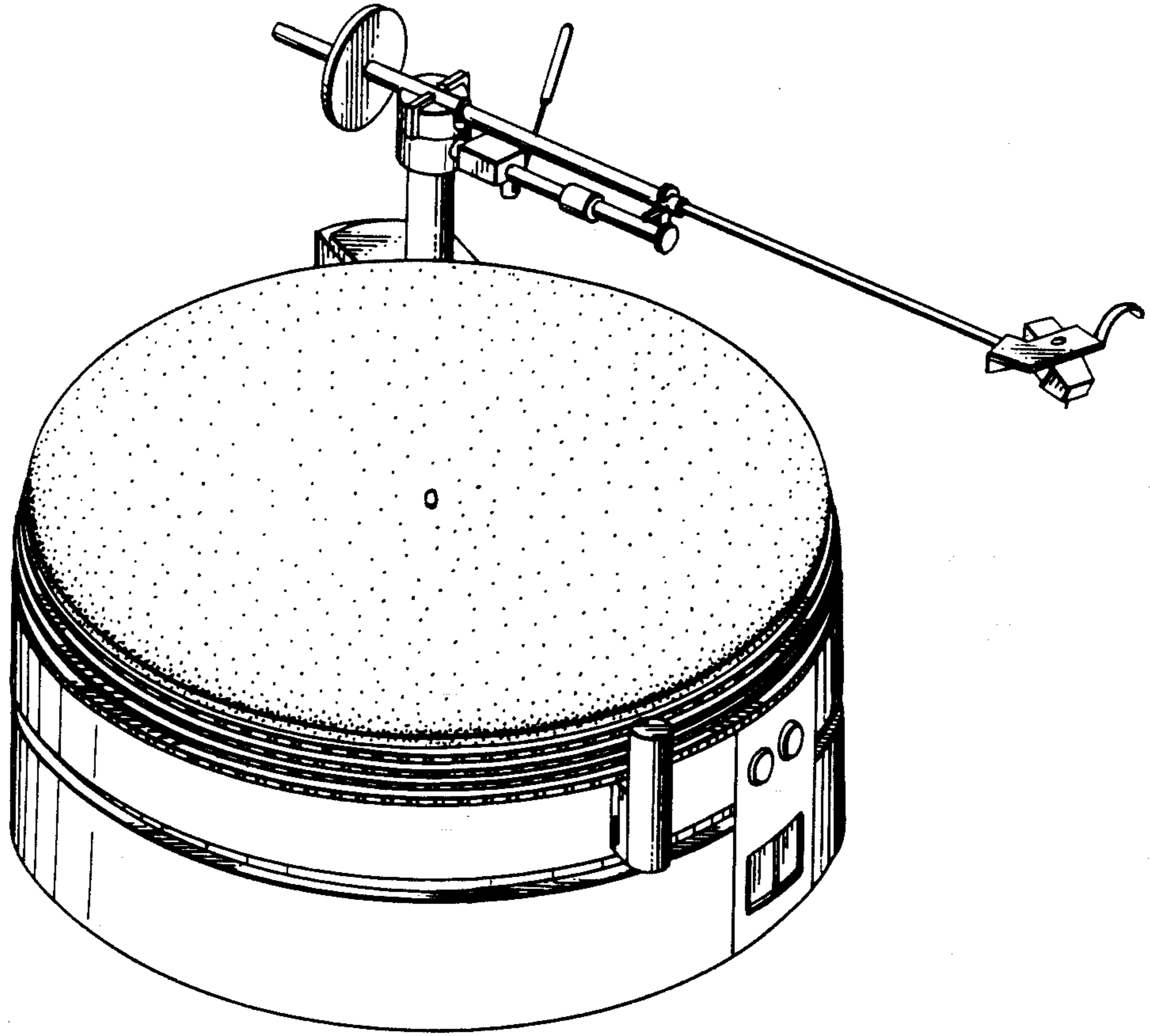


FIG. 1

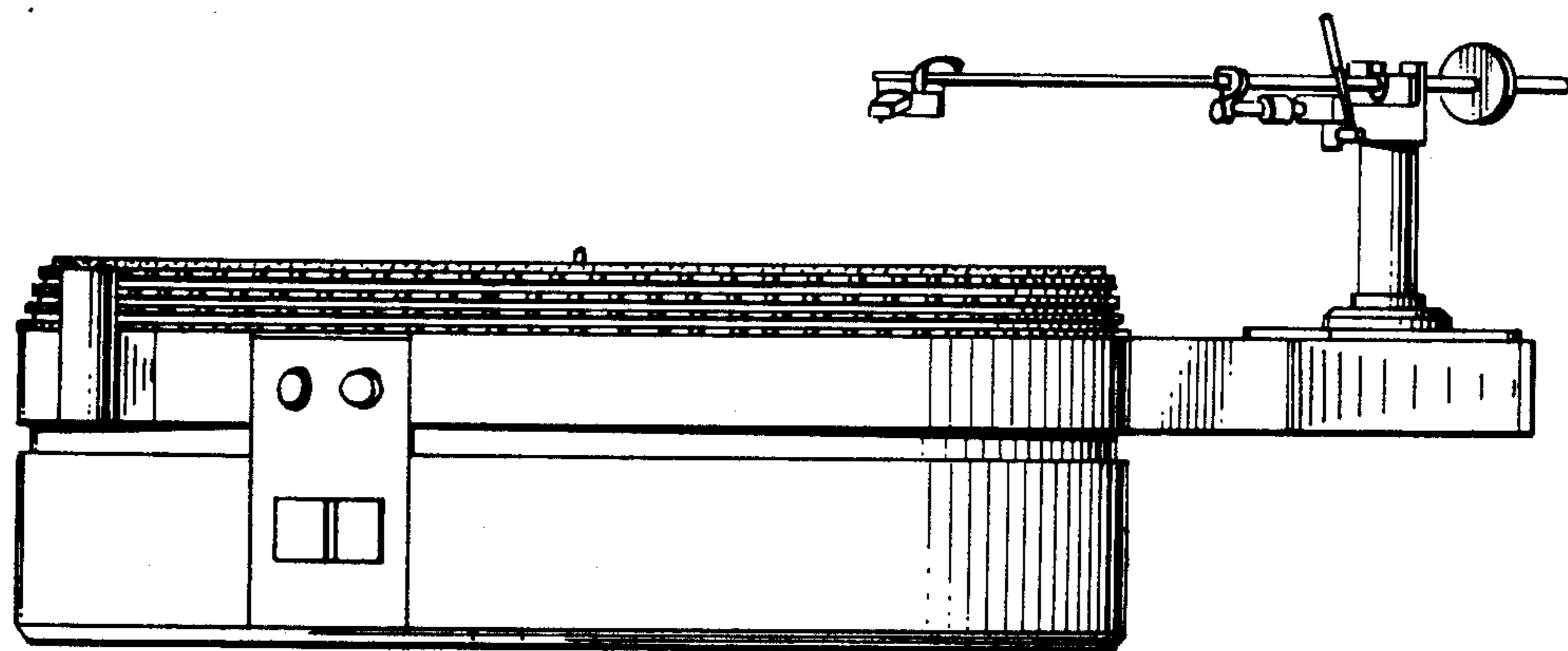
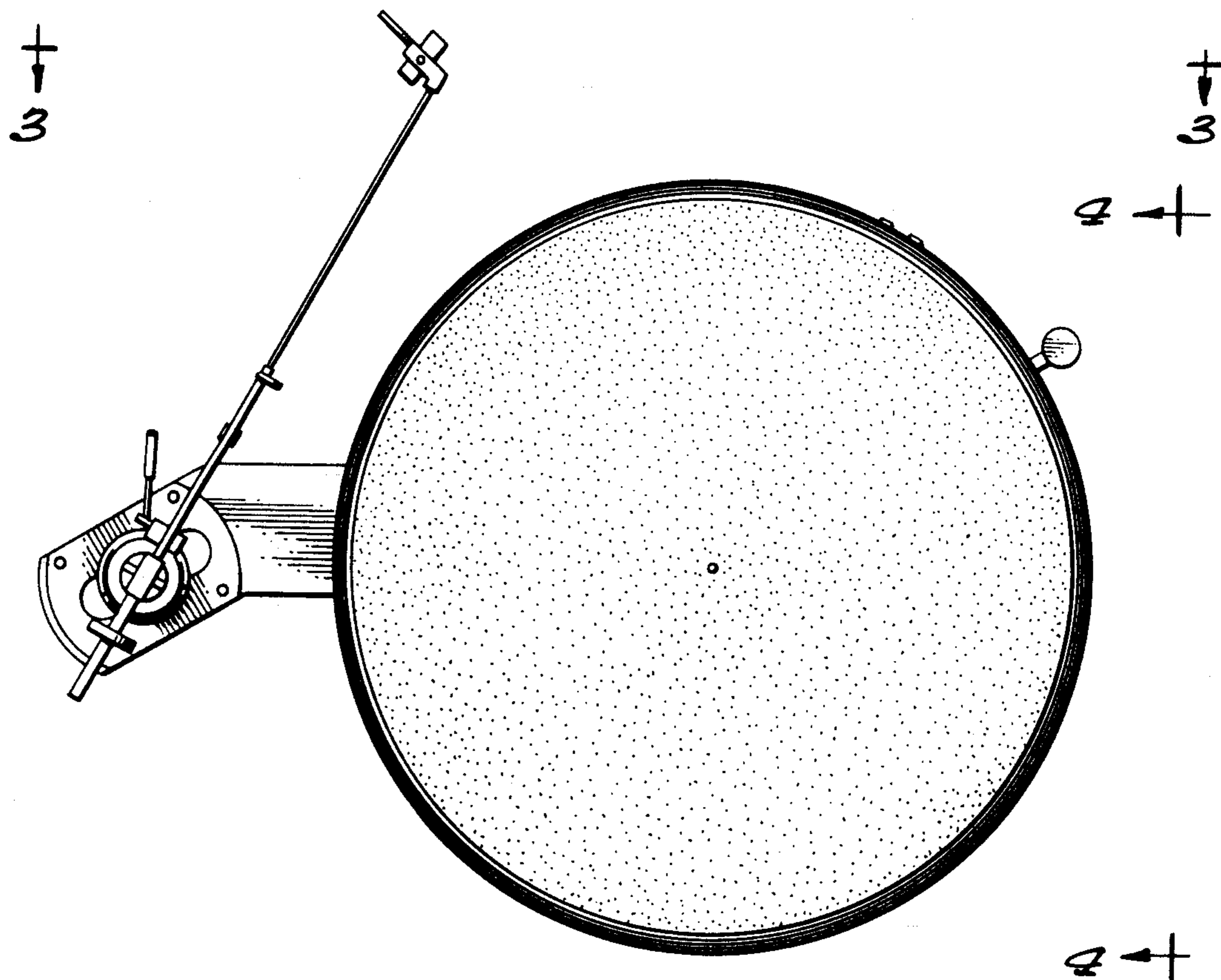


FIG. 9

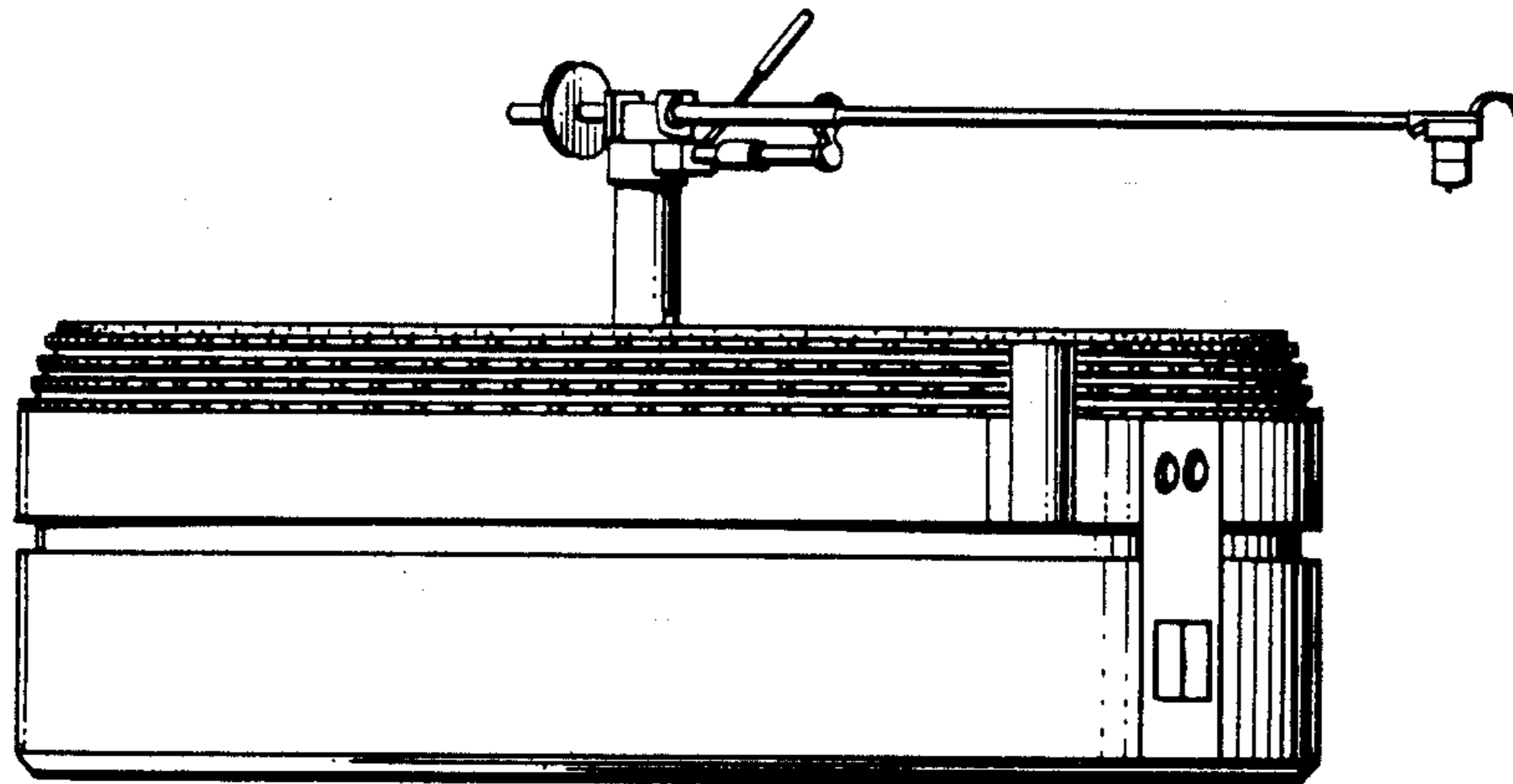
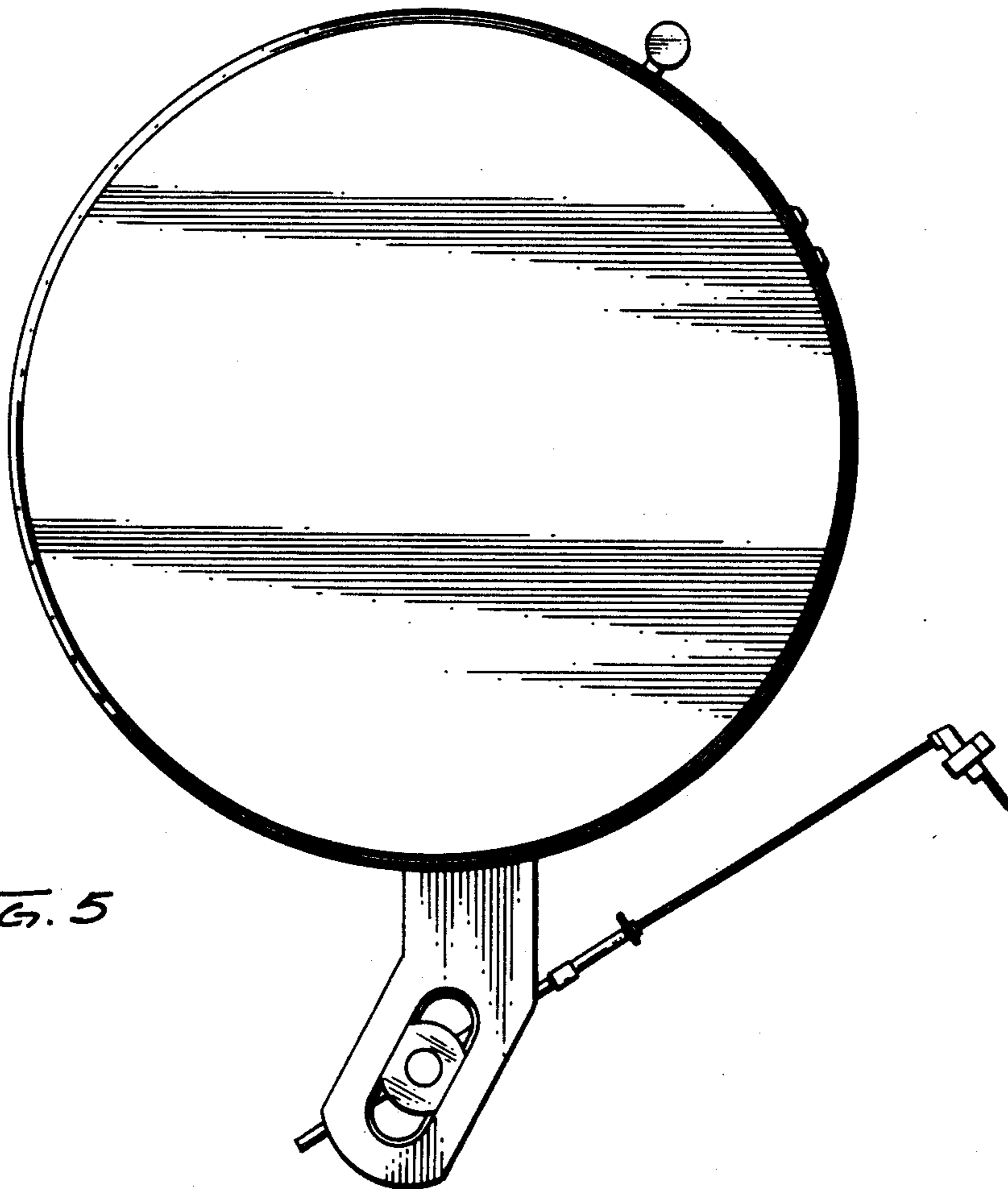


FIG. 5



UNITED STATES PATENT AND TRADEMARK OFFICE
CERTIFICATE OF CORRECTION

PATENT NO. : Des. 255,115
DATED : May 27, 1980
INVENTOR(S) : Cary Lee Christie

It is certified that error appears in the above—identified patent and that said Letters Patent is hereby corrected as shown below:

The present sheet of drawing, Sheet 2 of 3, should be cancelled and the attached sheet substituted therefor.

Signed and Sealed this

Twenty-eighth Day of October 1980

[SEAL]

Attest:

SIDNEY A. DIAMOND

Attesting Officer

Commissioner of Patents and Trademarks