

[54] ELECTRIC POWER LOAD CONTROLLER

[75] Inventors: Hugh R. Pease, Saratoga; Malcolm L. Stadtmiller, San Jose, both of Calif.

[73] Assignee: Hutec Corporation, San Jose, Calif.

[**] Term: 14 Years

[21] Appl. No.: 850,603

[22] Filed: Nov. 11, 1977

[51] Int. Cl. D13-03

[52] U.S. Cl. D13/11

[58] Field of Search D13/11, 30, 31, 40, D13/41; 335/20, 21; 361/15, 42, 29, 31, 32, 34, 49, 51, 56, 57, 85, 86, 87, 93, 111, 117, 118, 119, 331; 307/11, 20, 24, 29.31, 34.35, 52, 60, 62, 125, 130, 131, 132 R, 139, 140, 154, 155, 156; 174/50, 52

[56] References Cited

U.S. PATENT DOCUMENTS

3,808,456 4/1974 Kay et al. 307/140
4,090,093 5/1978 Thompson 361/331 X

FOREIGN PATENT DOCUMENTS

1476722 3/1967 France 174/52 R

Primary Examiner—Susan J. Lucas

Attorney, Agent, or Firm—Flehr, Hohbach, Test et al.

[57] CLAIM

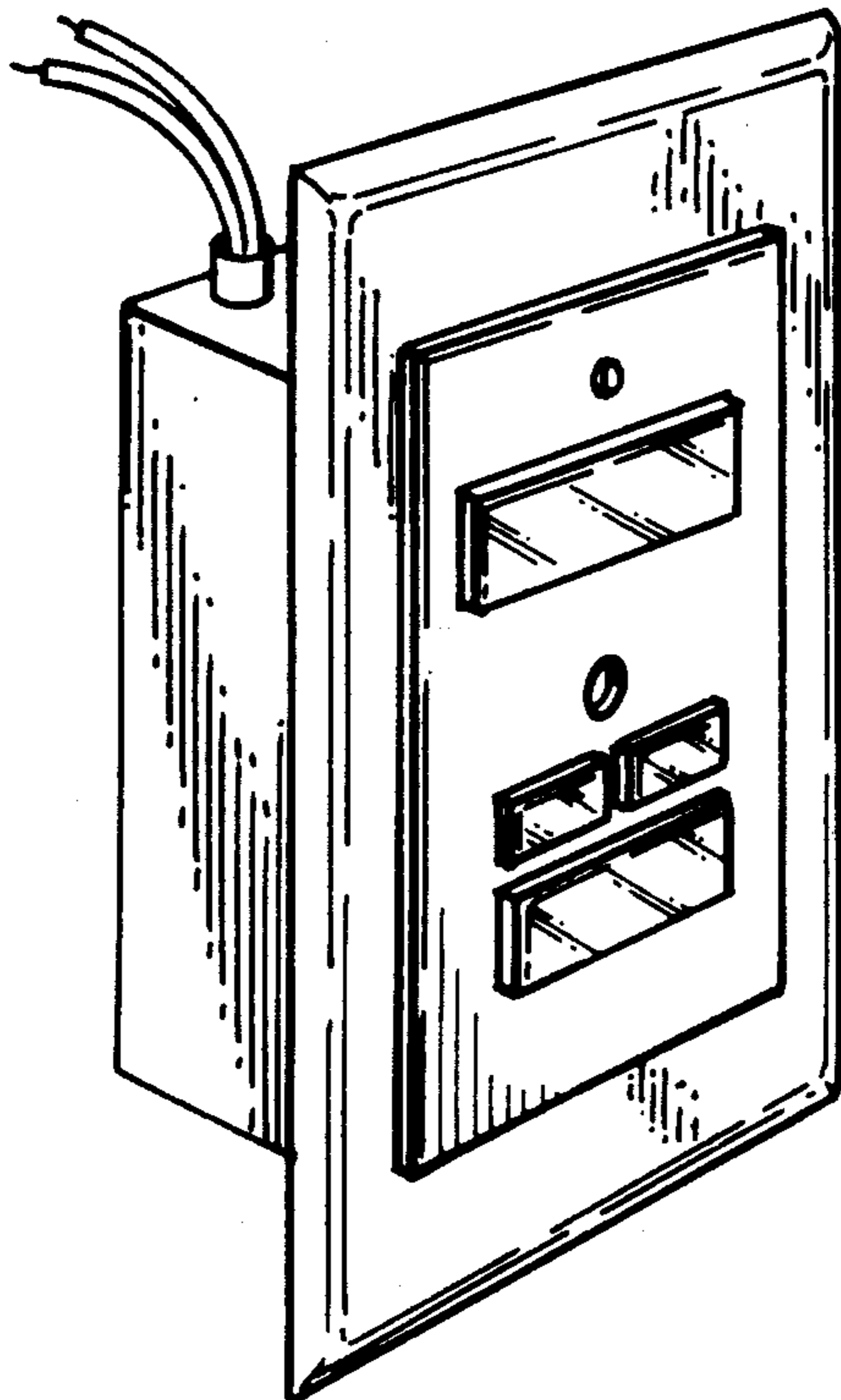
The ornamental design for an electric power load controller, as shown.

DESCRIPTION

FIG. 1 is an exploded perspective view of an electric power load controller showing our new design.

FIG. 2 is a perspective view thereof, assembled on a reduced scale.

FIG. 3 is a rear elevational view thereof on a reduced scale.



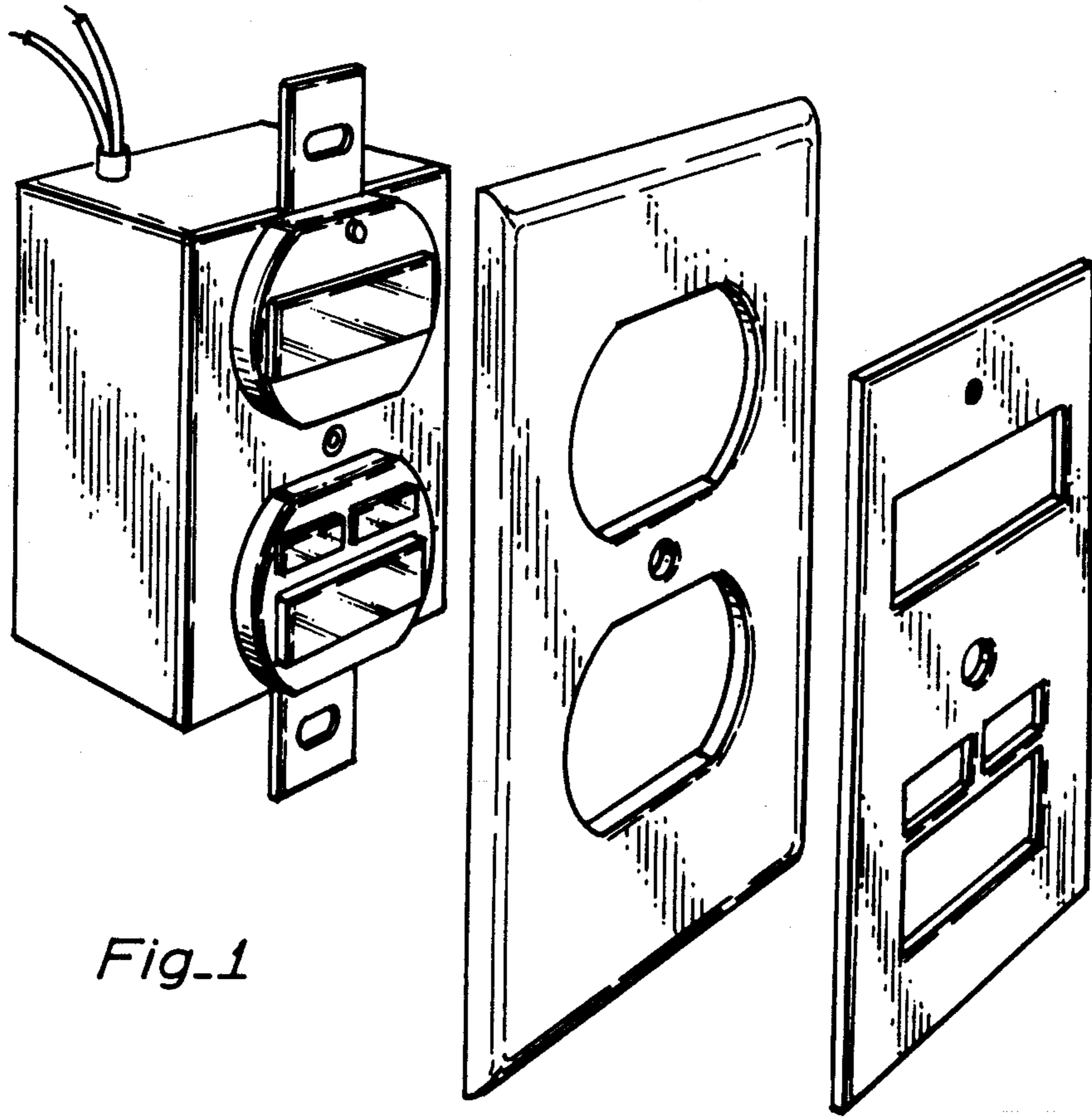


Fig-1

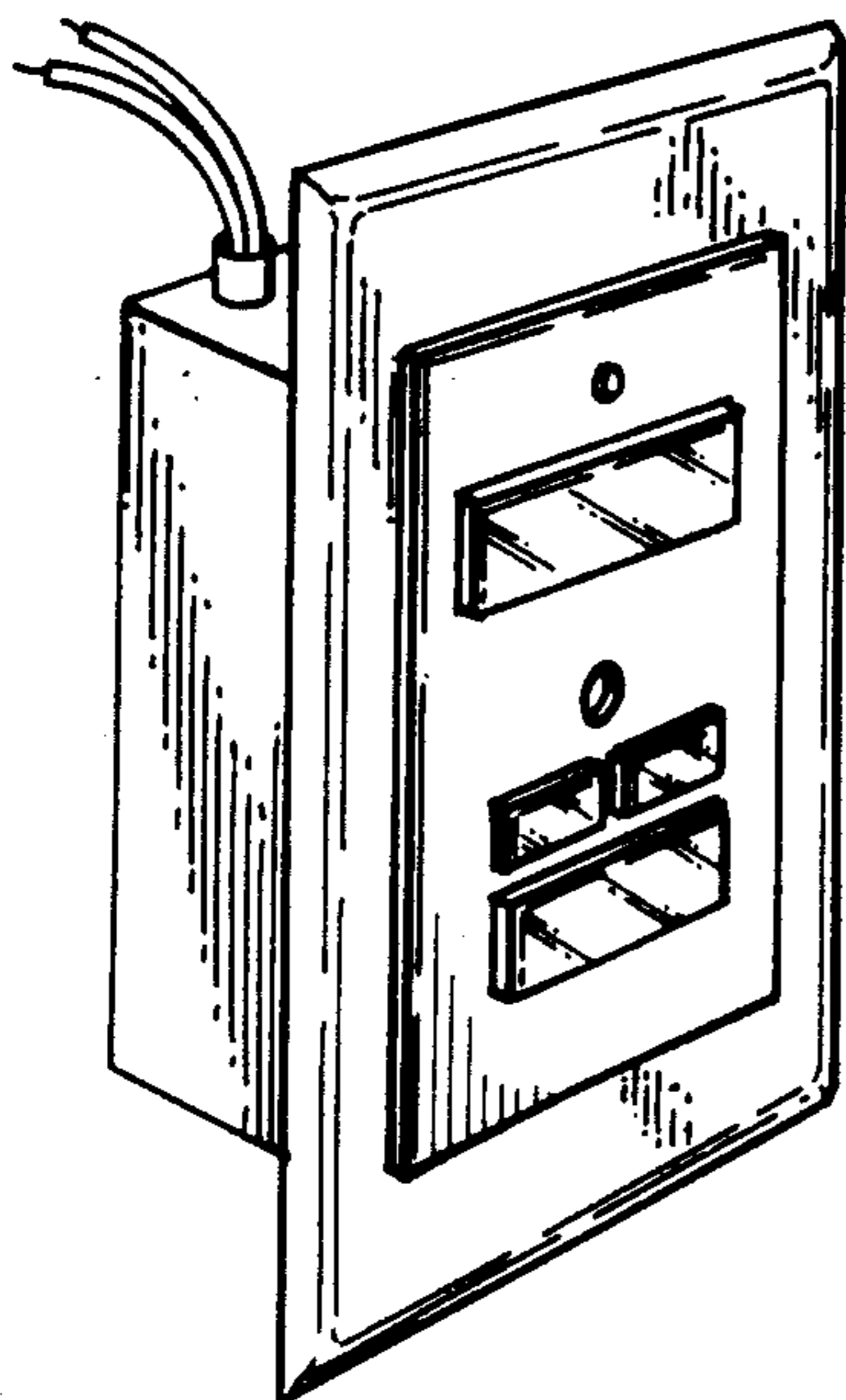


Fig-2

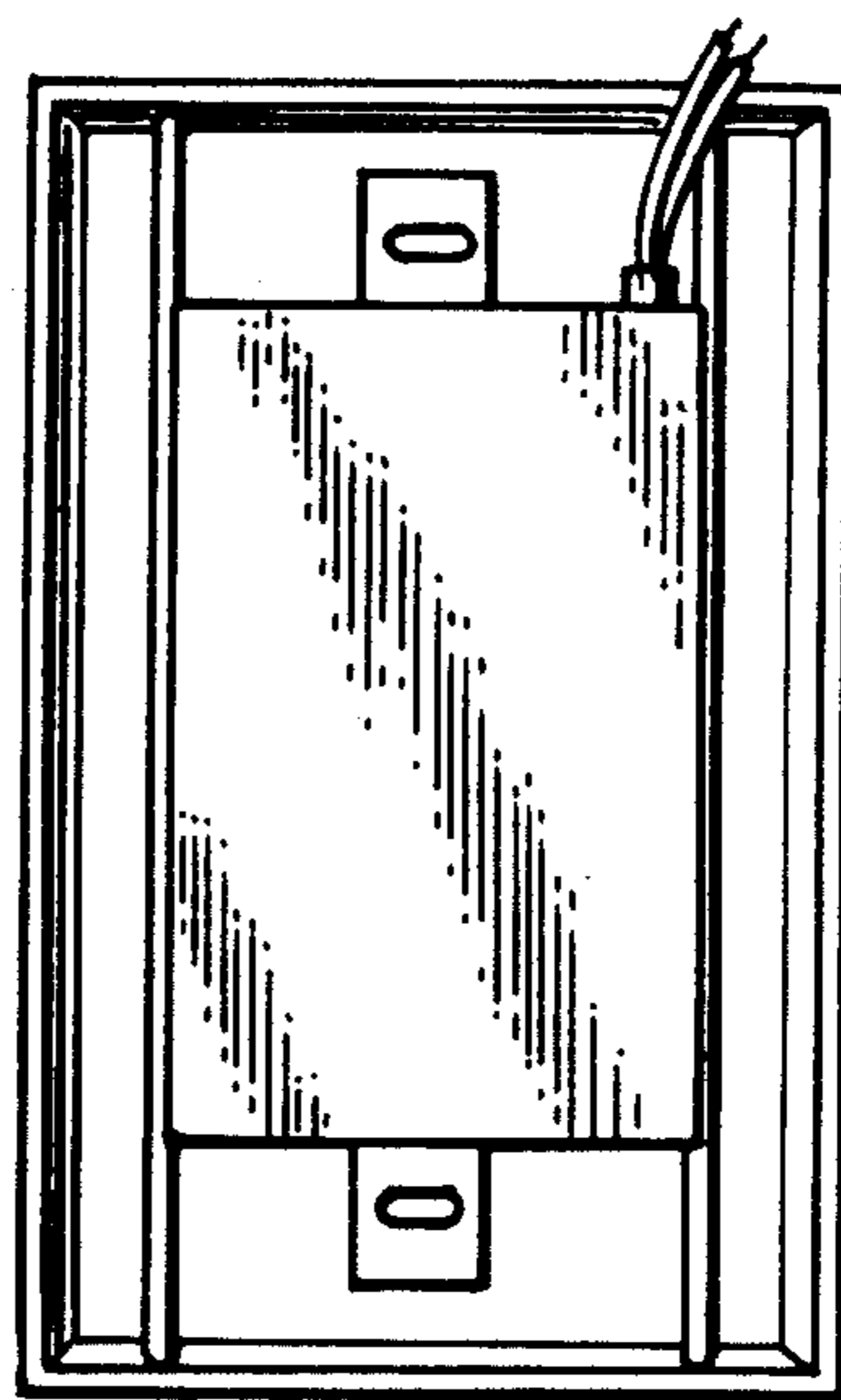


Fig-3