

[54] TRAILER

[56]

References Cited

U.S. PATENT DOCUMENTS

[76] Inventor: Robert J. Matthews, 5425 Myers Ct.,
Sioux City, Iowa 51106

D. 237,599	11/1975	Cox	D12/105
3,949,706	4/1976	Coon, Jr.	D12/101
4,067,298	1/1978	Jones et al.	D15/27

[**] Term: 14 Years

Primary Examiner—James M. Gandy
Attorney, Agent, or Firm—Henderson & Sturm

[21] Appl. No.: 837,668

[57] CLAIM

The ornamental design for a trailer, substantially as shown and described.

[22] Filed: Sep. 29, 1977

DESCRIPTION

[51] Int. Cl. D12—10

[52] U.S. Cl. D12/105; D15/27

[58] Field of Search D12/101, 105; D15/27;
119/60, 58; 214/501; 296/8, 6, 11

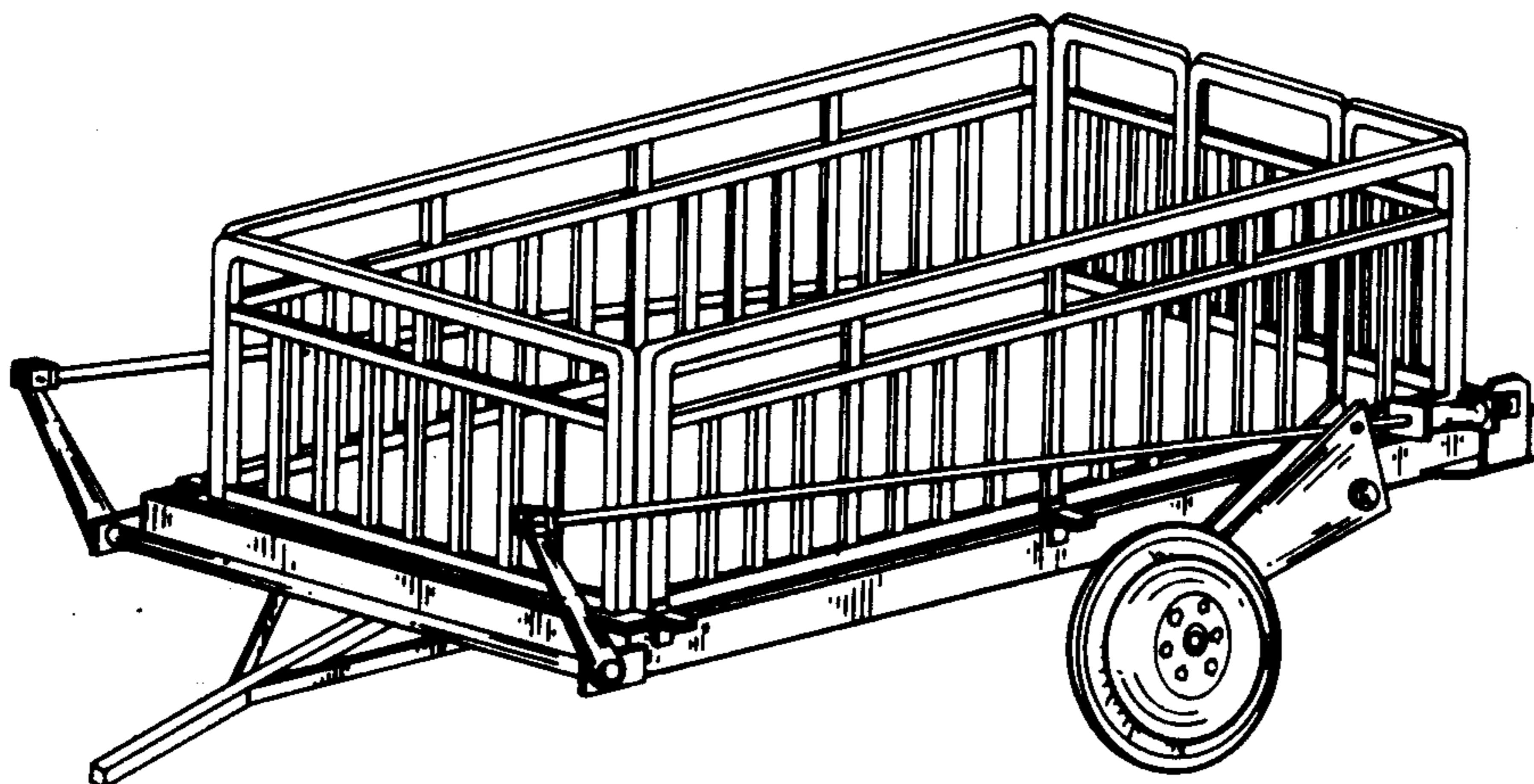
FIG. 1 is a perspective view of a trailer showing my new design;

FIG. 2 is a side elevational view thereof;

FIG. 3 is a rear elevational view thereof;

FIG. 4 is a top plan view thereof; and,

FIG. 5 is a bottom plan view thereof.



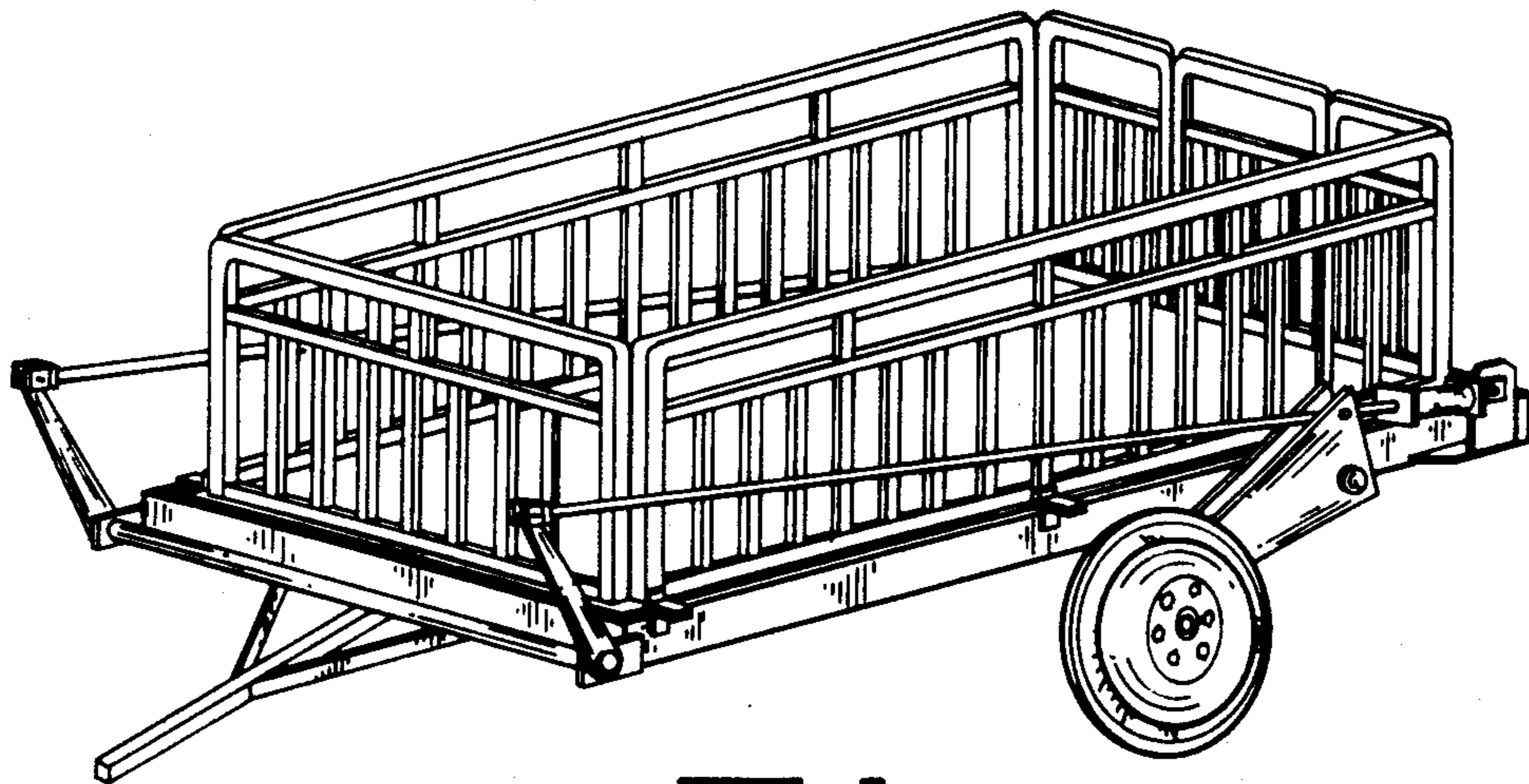


Fig. 1

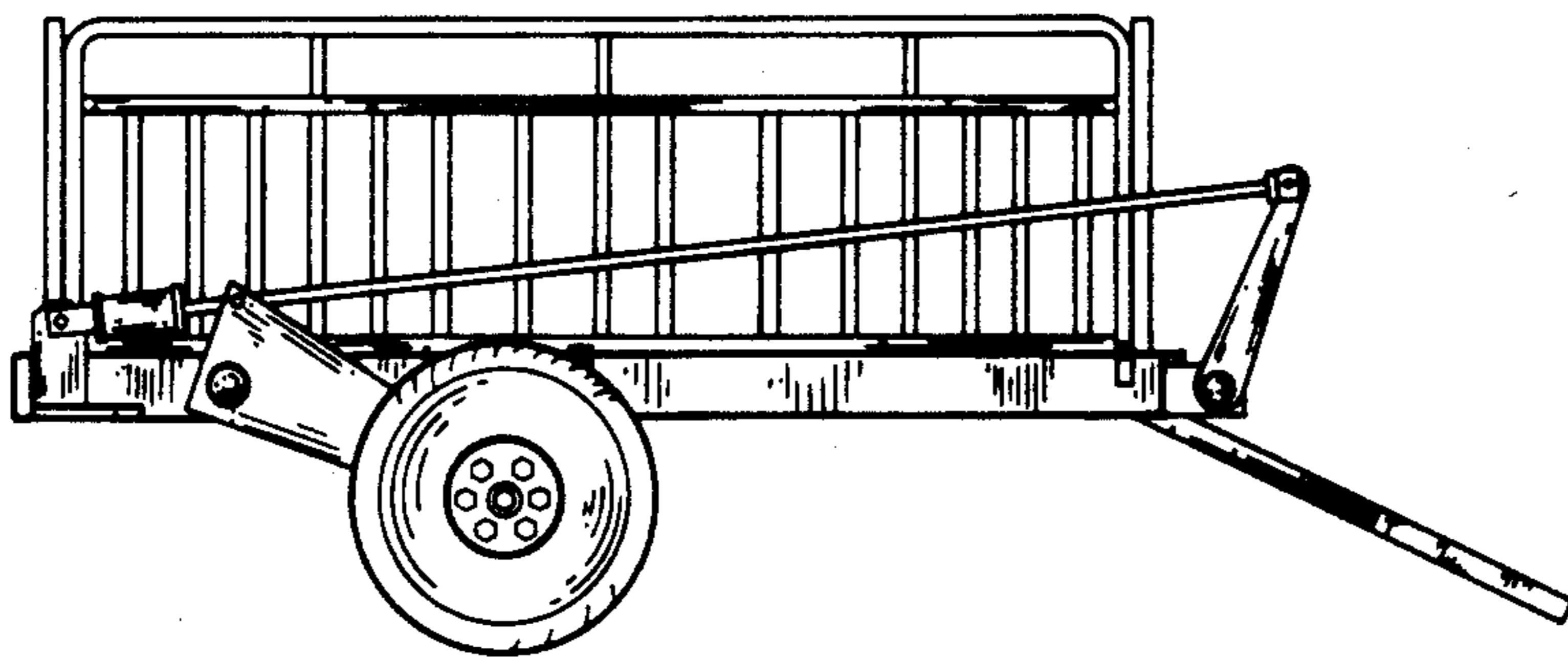


Fig. 2

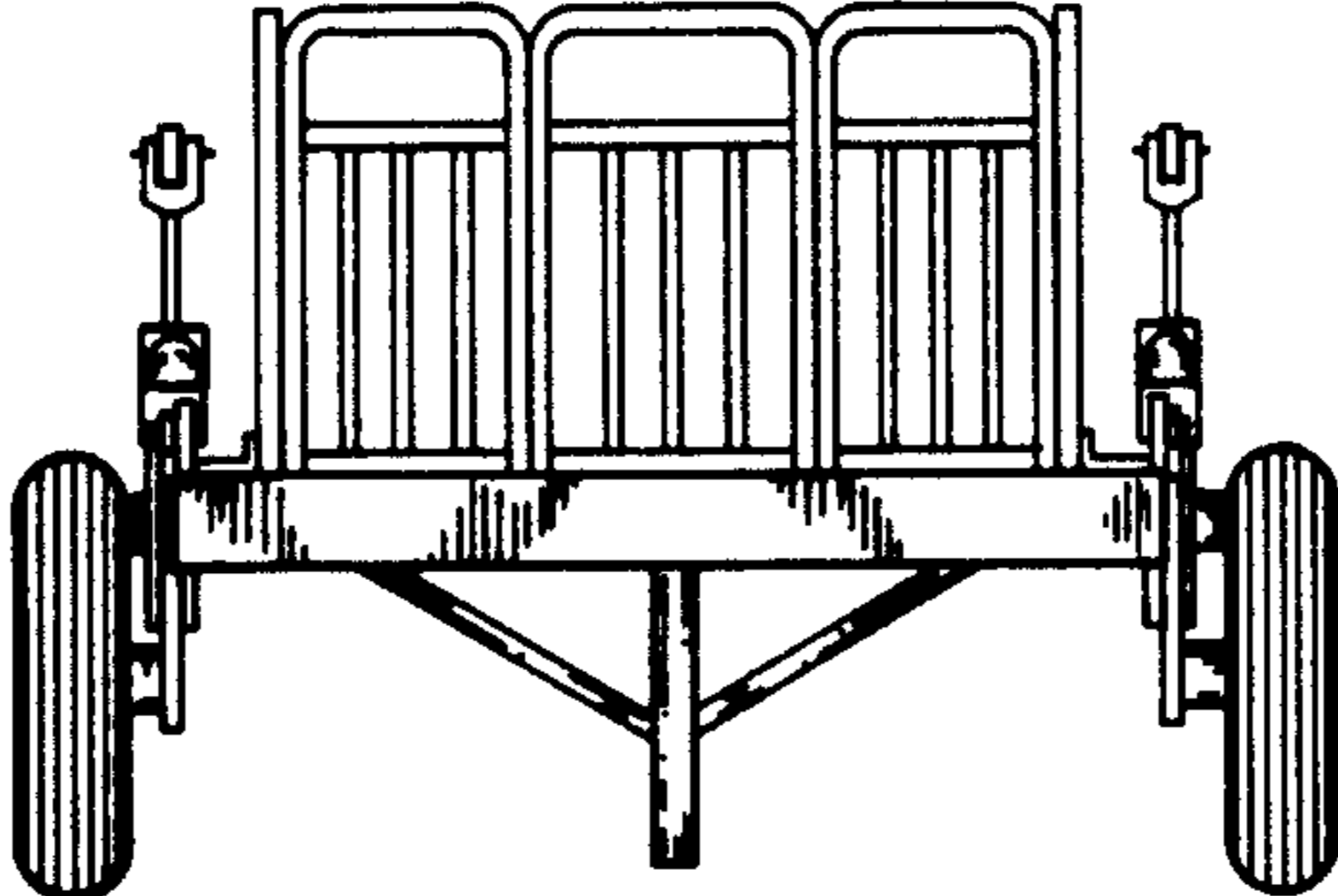


Fig. 3

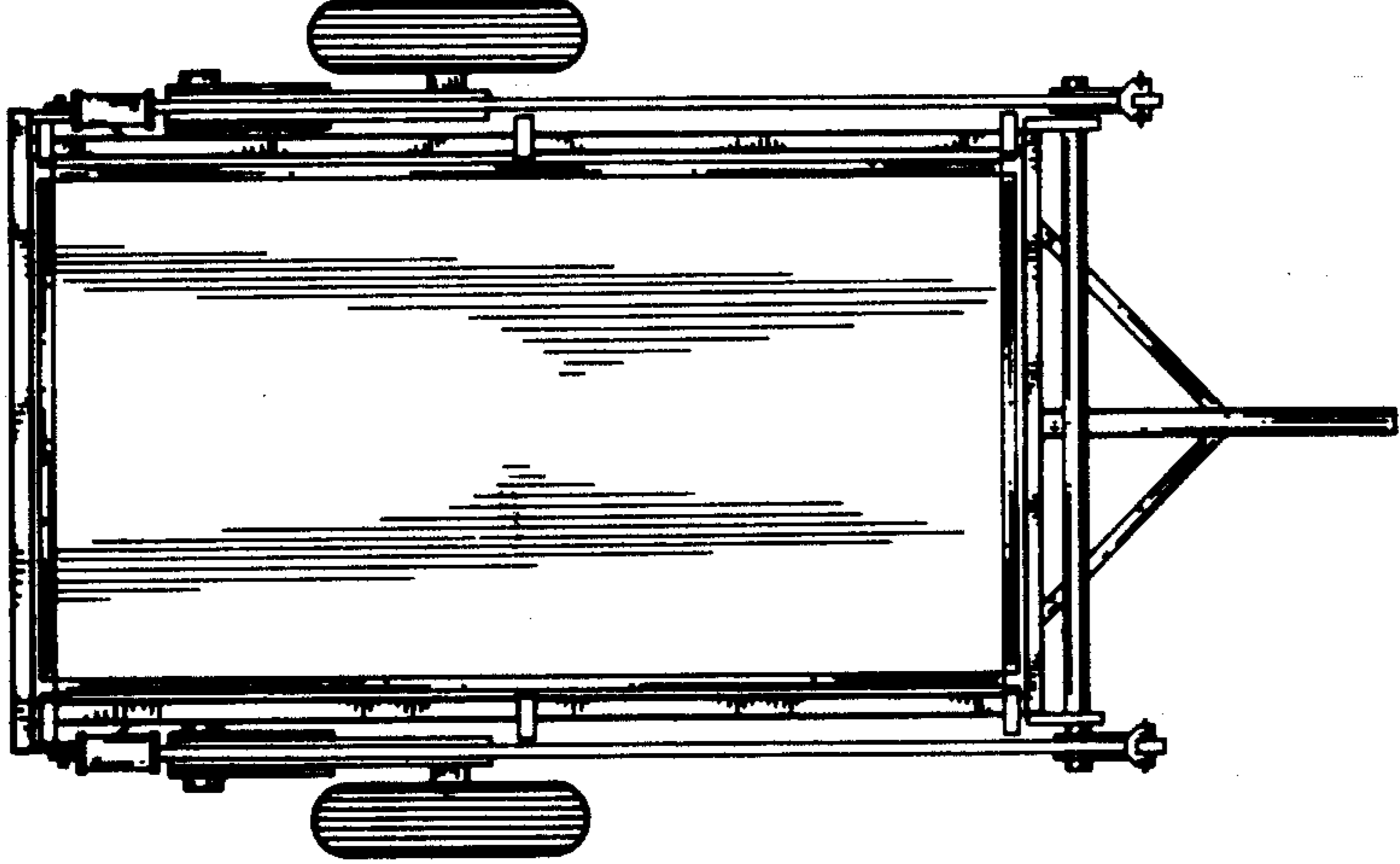


Fig. 4

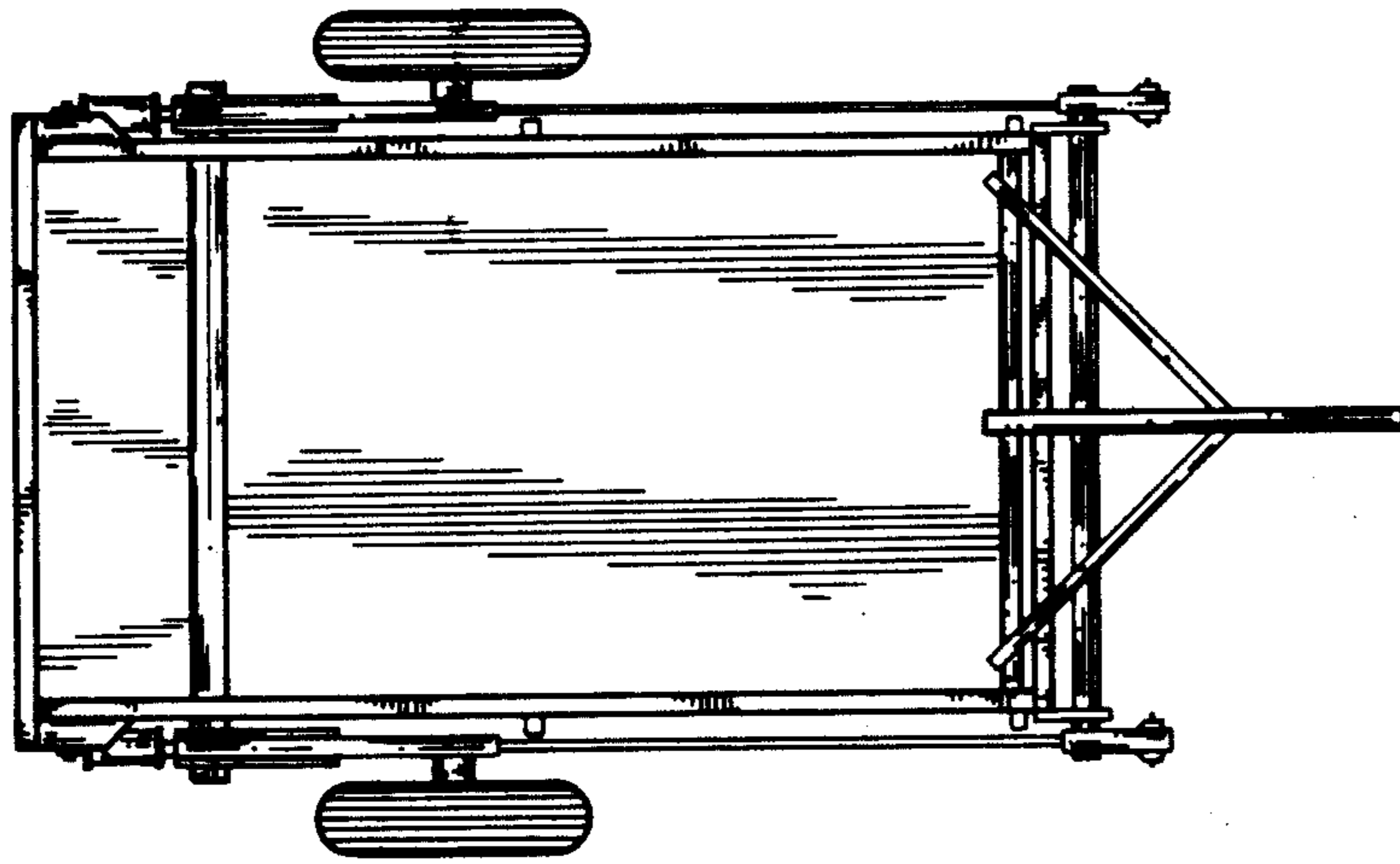


Fig. 5