

[54] ACCESSORY MOUNT FOR THEODOLITE

2,990,618	7/1961	Petree	248/184 X
3,511,462	5/1970	Bazignan	248/179
3,592,429	7/1971	Miller	248/183 X
3,596,863	8/1971	Kasperek	248/183 X
4,085,915	4/1978	Song	248/187

[76] Inventor: Thomas N. Haidek, 11709 Century Dr., Oklahoma City, Okla. 73160

[**] Term: 14 Years

[21] Appl. No.: 834,312

[22] Filed: Sep. 19, 1977

[51] Int. Cl. D10-07

[52] U.S. Cl. D10/74; D10/66

[58] Field of Search D10/66, 74; 248/177, 248/178, 179, 180, 181, 182, 183, 184, 185, 186, 187

Primary Examiner—Nelson C. Holtje
Attorney, Agent, or Firm—Dunlap, Codding & McCarthy

[57] CLAIM

The ornamental design for an accessory mount for theodolite, as shown and described.

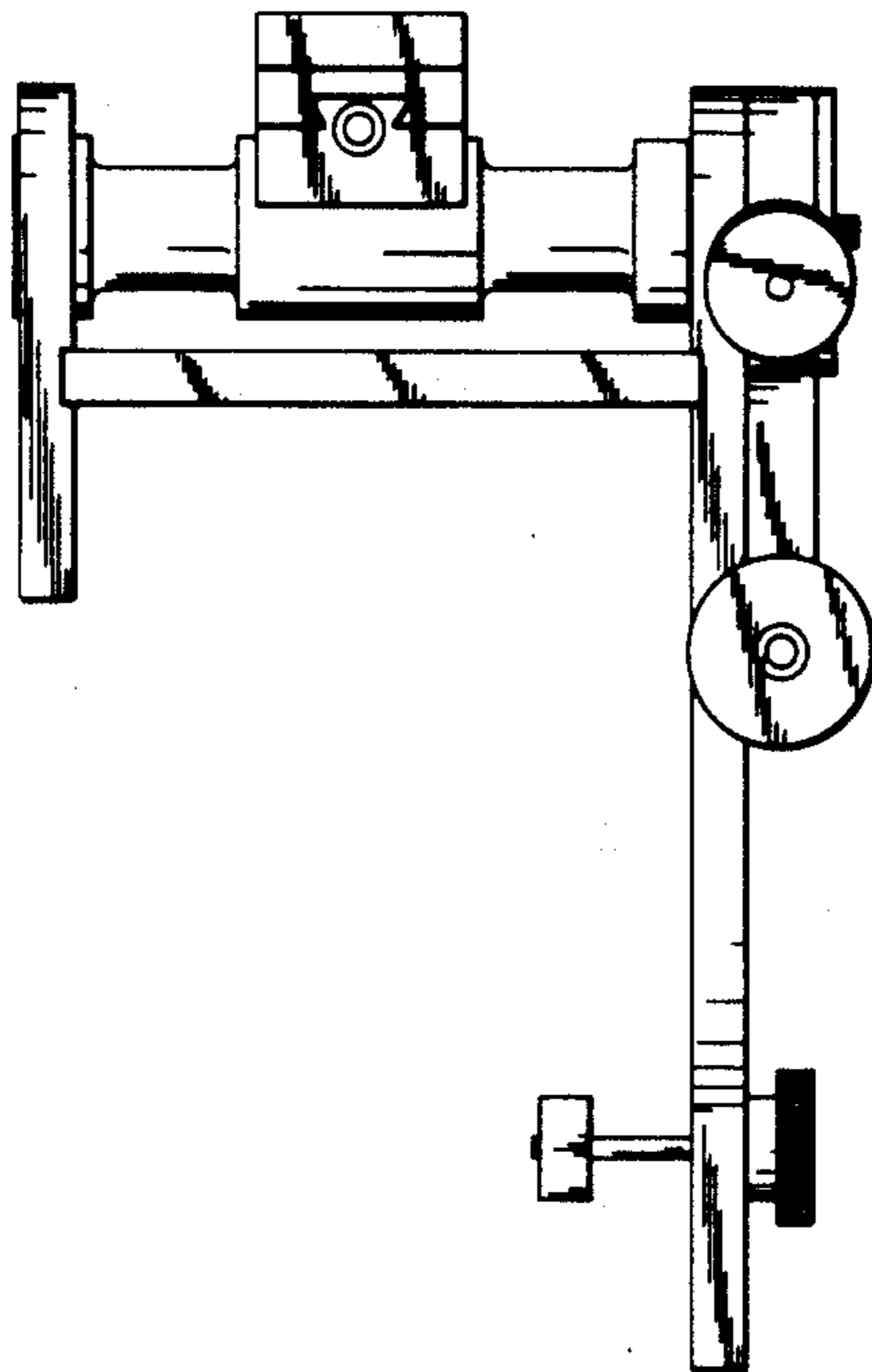
DESCRIPTION

FIG. 1 is a rear elevational view of an accessory mount for theodolite showing my new design;
FIG. 2 is a right side elevational view thereof;
FIG. 3 is a top plan view thereof;
FIG. 4 is a left side elevational view thereof;
FIG. 5 is a front elevational view thereof;
FIG. 6 is a bottom plan view thereof.

[56] References Cited

U.S. PATENT DOCUMENTS

D. 50,584	4/1917	Martin	D10/66 X
D. 162,370	3/1951	Baker	D10/66
D. 166,079	3/1952	Heffern	D10/66 X
D. 167,079	6/1952	Heffern	D10/66 X



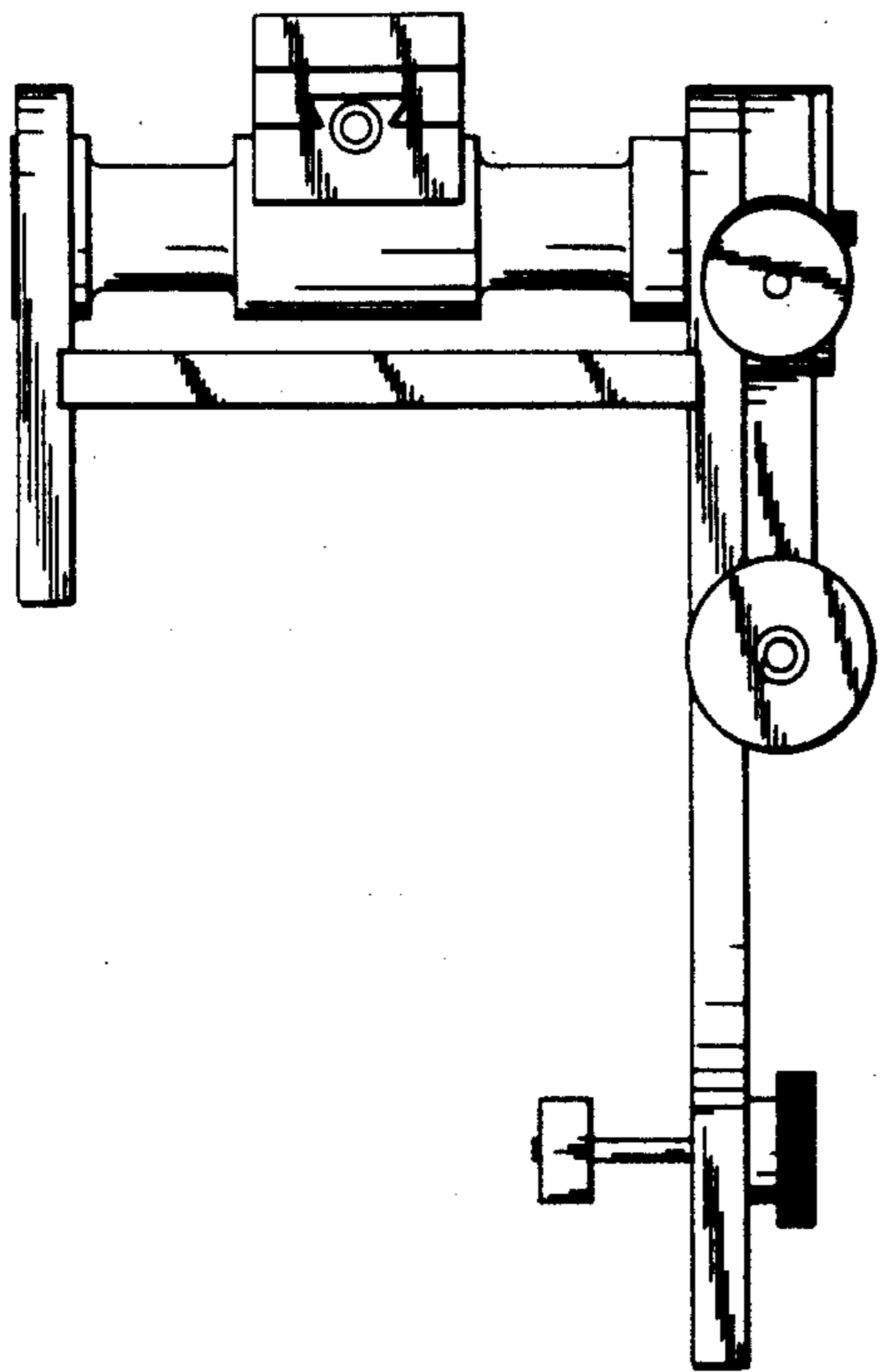


FIG. 1

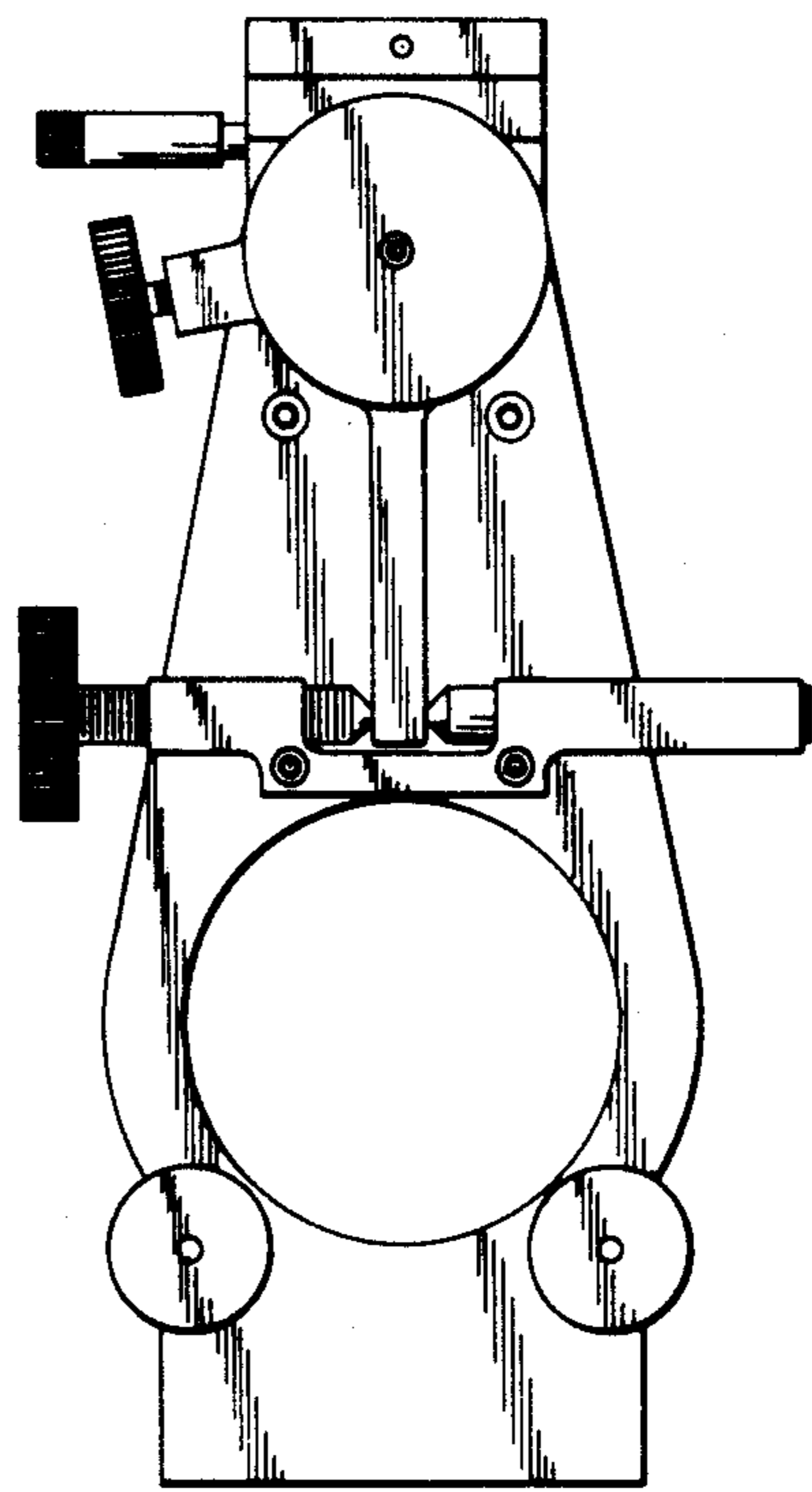


FIG. 2

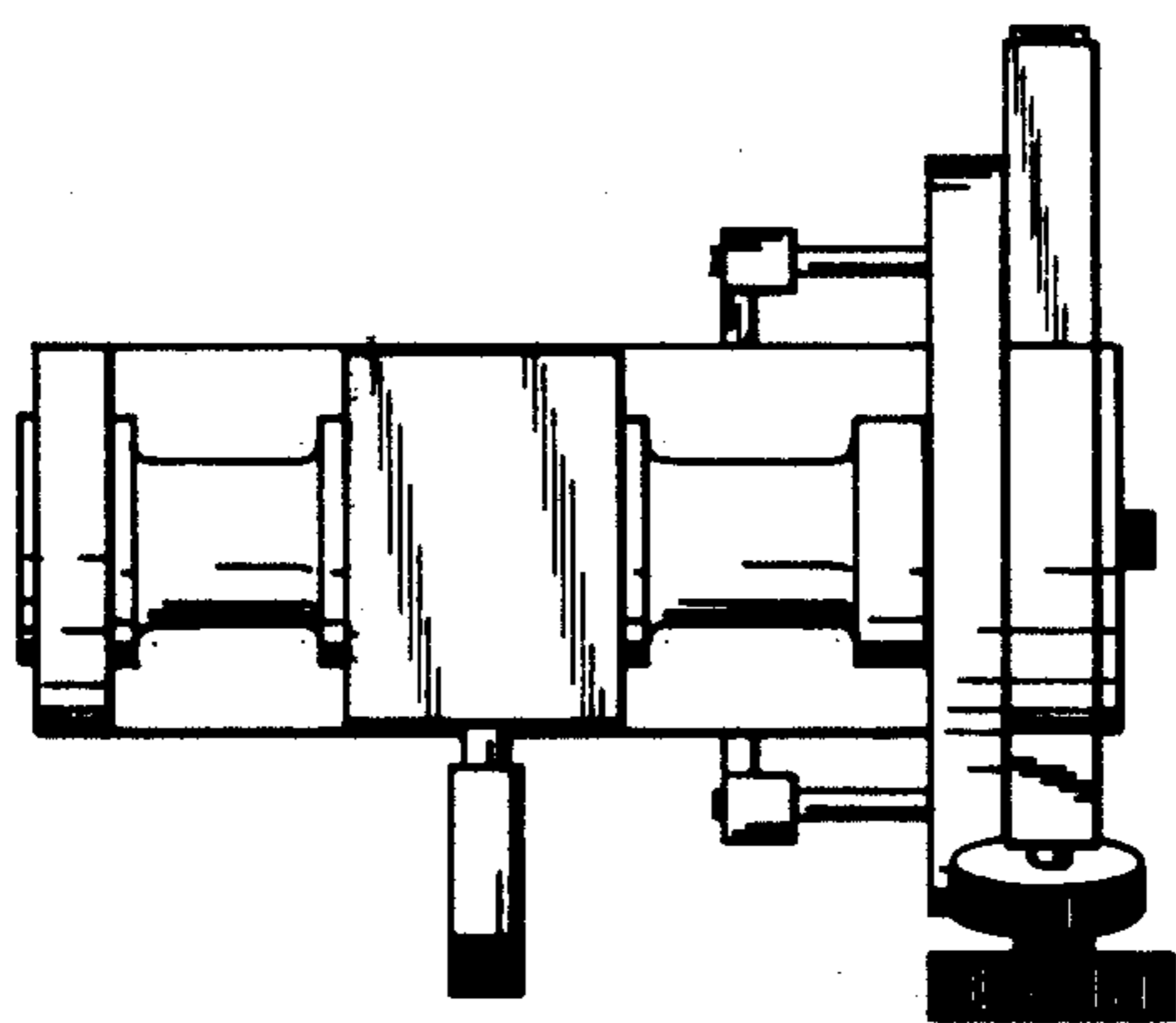


FIG. 3

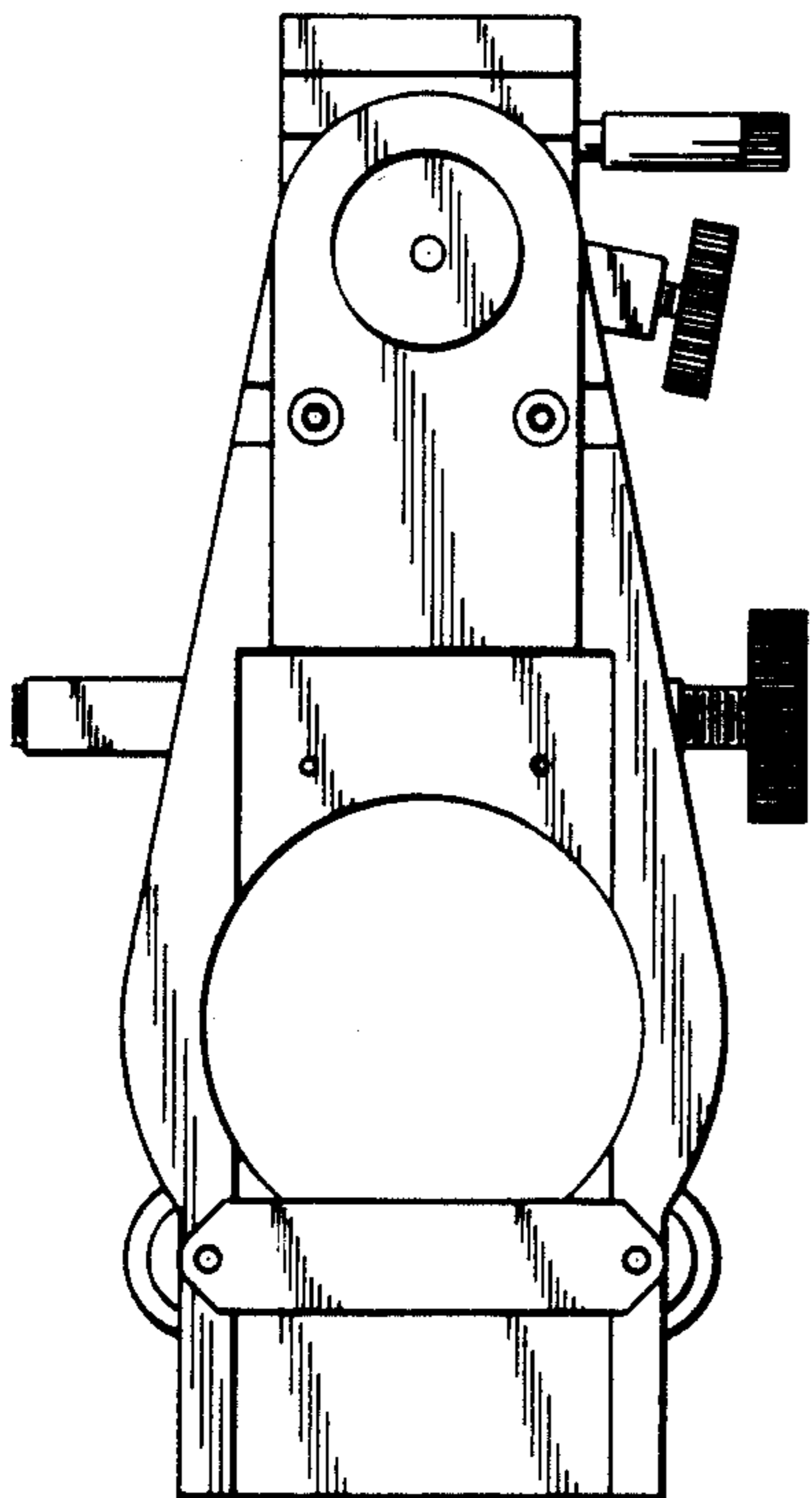


FIG. 4

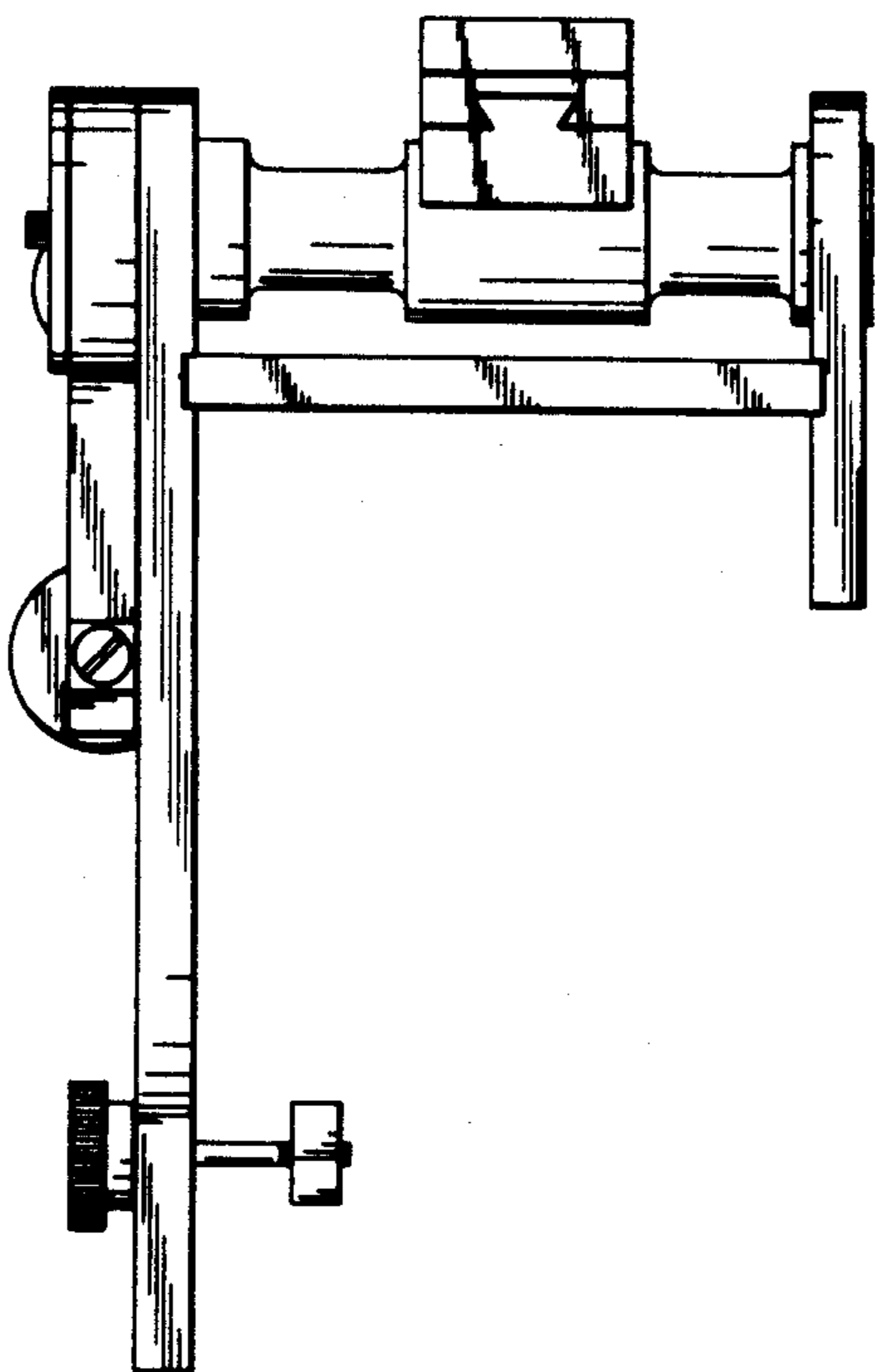


FIG. 5

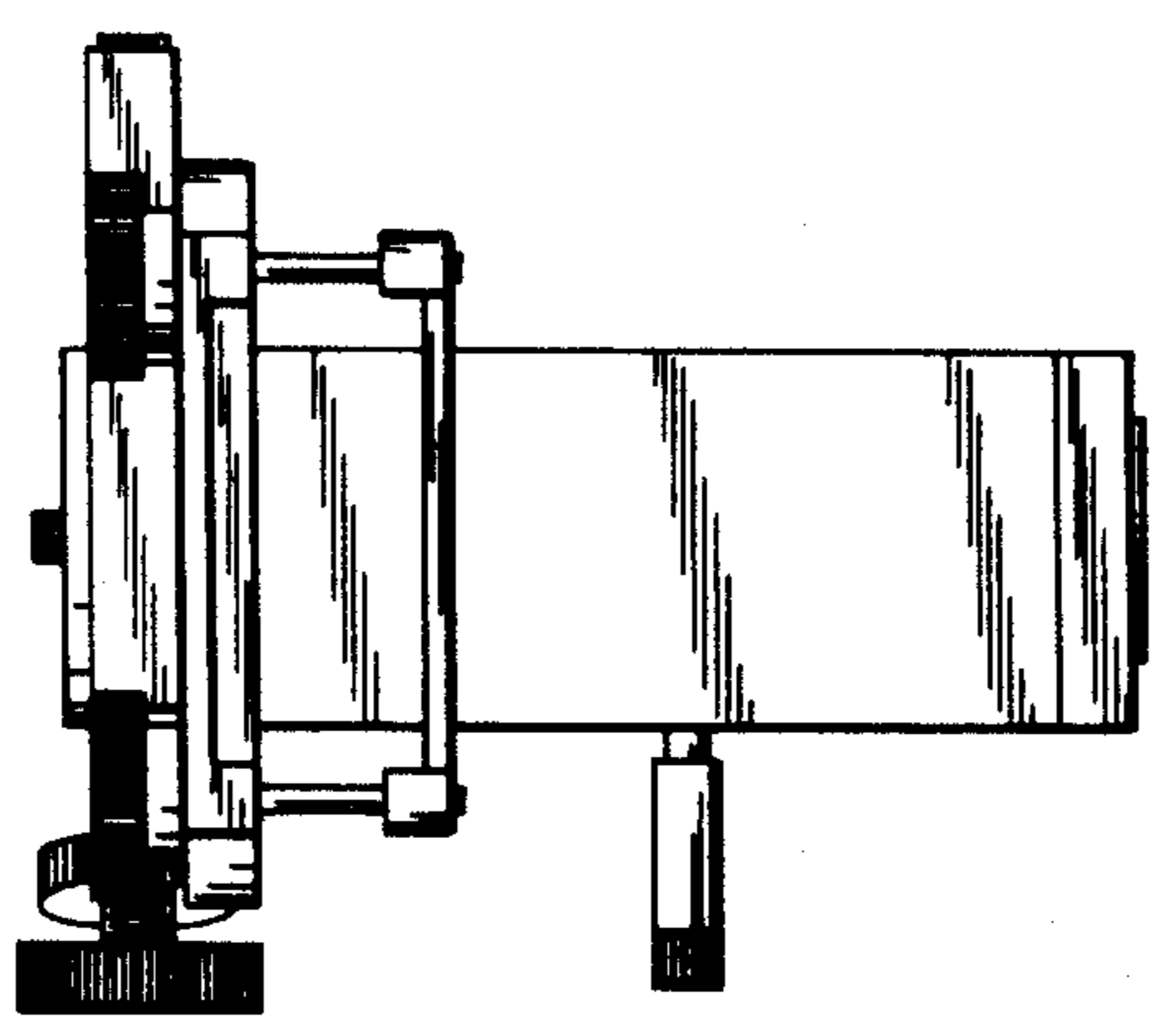


FIG. 6