

[54] PAINT BRUSH PROP

2,625,299 1/1953 Uhlig ..... D9/289  
3,729,158 4/1973 Nagy ..... 248/110

[76] Inventor: George E. Filice, 1028 Windsor,  
Lafayette, Calif. 94549

Primary Examiner—Louis S. Zarfes  
Assistant Examiner—Carmen H. Vales  
Attorney, Agent, or Firm—Warren, Chickering &  
Grunewald

[\*\*] Term: 14 Years

[21] Appl. No.: 834,549

[57] CLAIM

[22] Filed: Sep. 19, 1977

The ornamental design for a paint brush prop, as shown  
and described.

[51] Int. Cl. .... D09—99

[52] U.S. Cl. .... D9/289

[58] Field of Search ..... D9/253, 289, 290, 294;  
220/85 R, 85 D, 85 F, 85 SP, 90; 248/110, 111,  
112, 113

DESCRIPTION

FIG. 1 is a perspective view of a paint brush prop show-  
ing my new design.

FIG. 2 is a front elevational view thereof on a reduced  
scale.

FIG. 3 is a side elevational view thereof, the opposite  
side being a mirror image thereof.

FIG. 4 is a rear elevational view thereof.

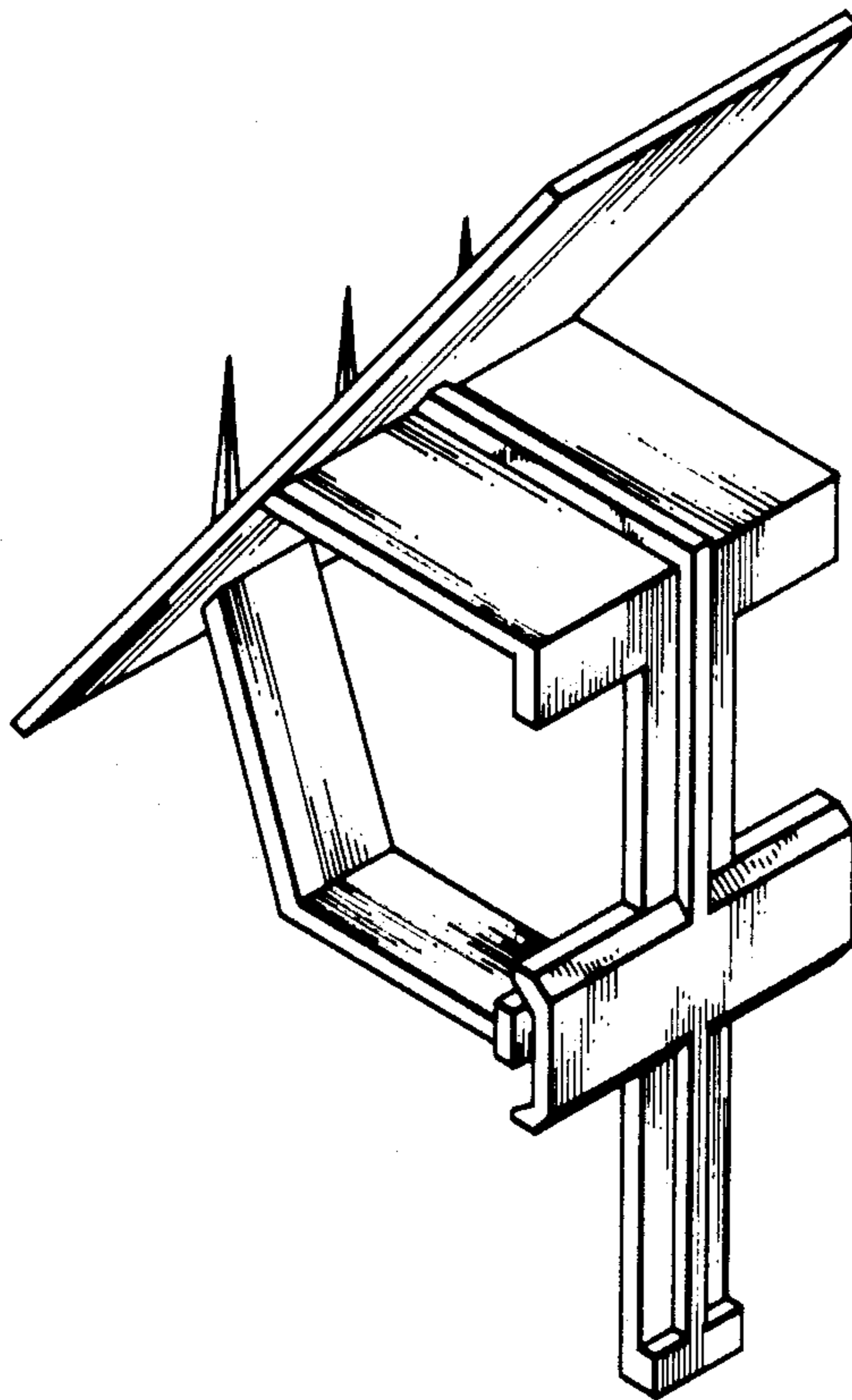
FIG. 5 is a top plan view thereof; and

FIG. 6 is a bottom plan view thereof.

[56] References Cited

U.S. PATENT DOCUMENTS

D. 173,189 10/1954 Clark, Sr. .... D9/289  
D. 247,550 3/1978 Filice ..... D9/289  
1,764,763 6/1930 Stang ..... 220/90



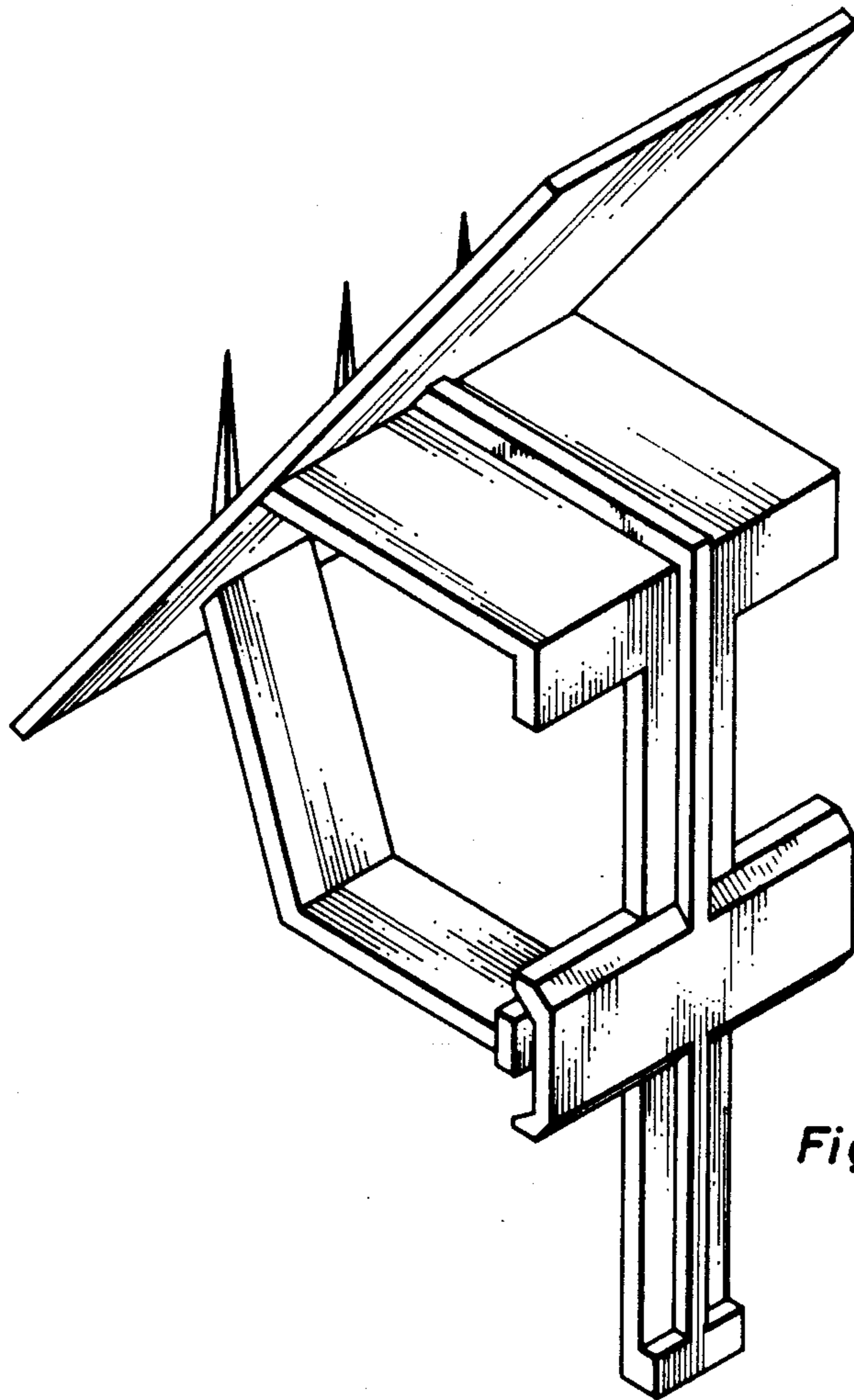


Fig. 1

Fig. 5

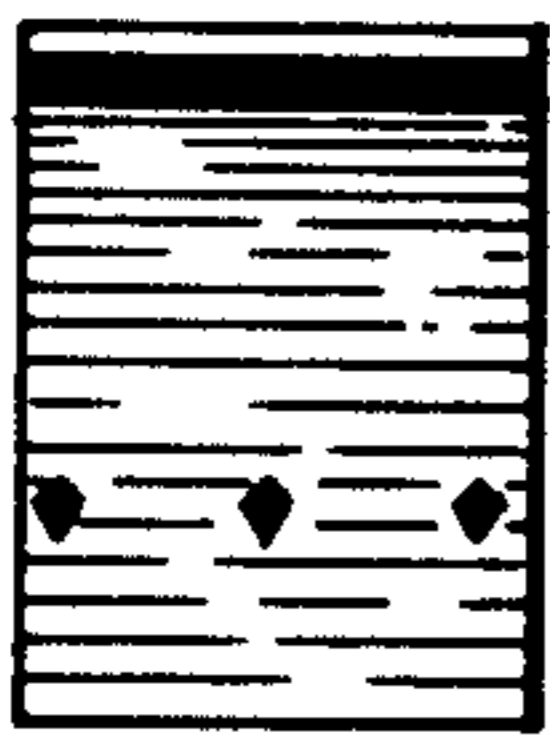


Fig. 6

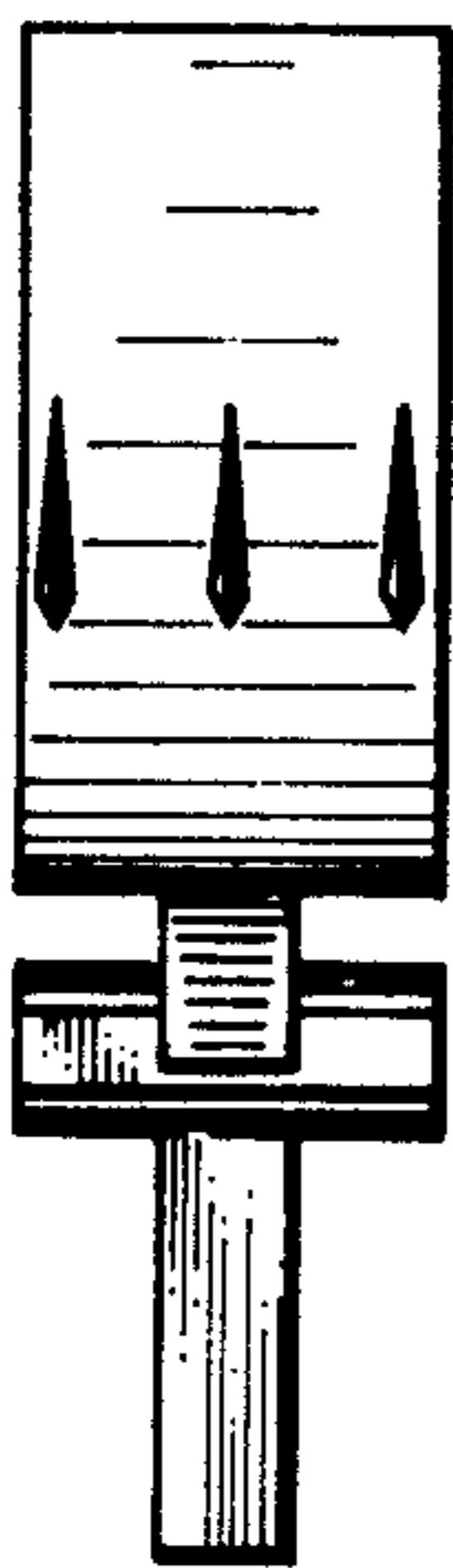


Fig. 2

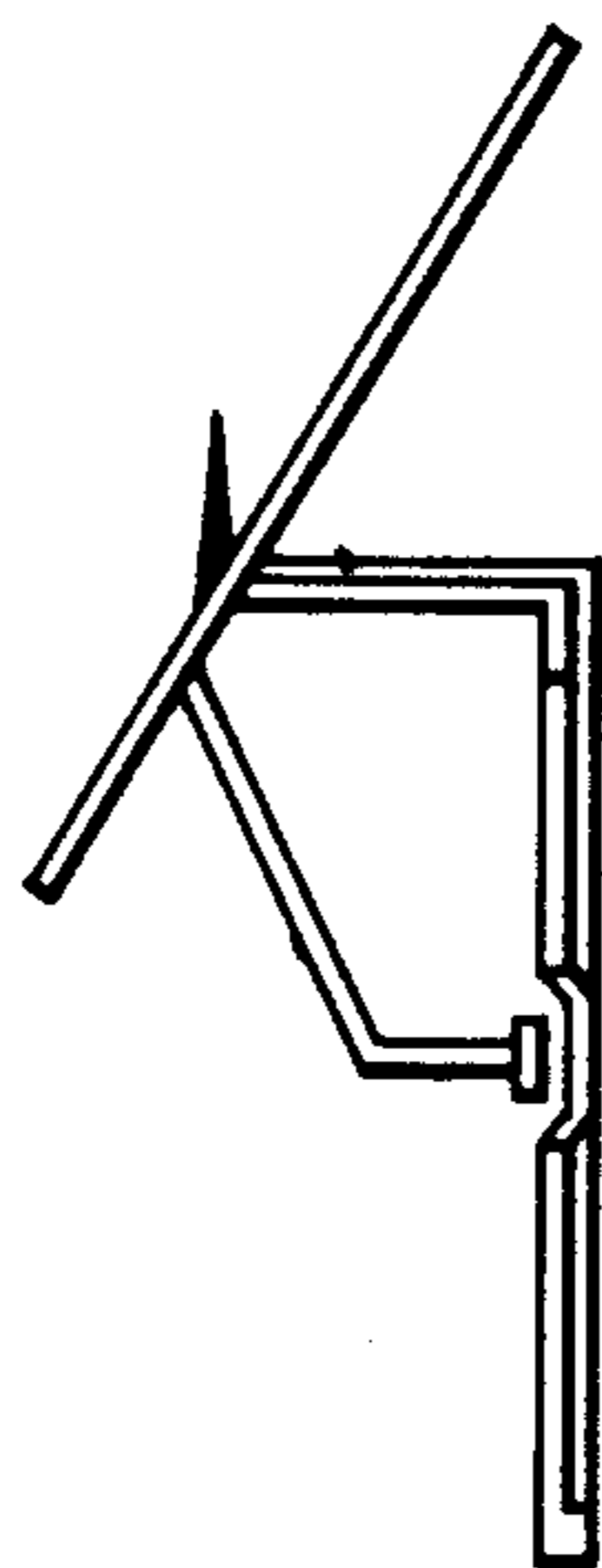


Fig. 3



Fig. 4