

[54] BOTTLE CASE

[76] Inventor: William V. Wright, 2412 Cloister Dr., Charlotte, N.C. 28204

[\*\*] Term: 14 Years

[21] Appl. No.: 806,913

[22] Filed: Jun. 15, 1977

[51] Int. Cl. .... D9-04

[52] U.S. Cl. .... D9/177

[58] Field of Search ..... D9/176-179, D9/246-248, 242-244; 220/DIG. 2, 20, 21; 217/19; 206/821, 503, 501, 499, 203, 139

[56] References Cited

U.S. PATENT DOCUMENTS

D. 198,591 7/1964 Brocken ..... D9/177

3,106,308	10/1963	Kazimier	.....	220/21
3,298,563	1/1967	Rabb	.....	D9/176 X
3,428,207	2/1969	Schoeller	.....	220/21
4,029,209	6/1977	Frahm et al.	.....	220/21 X
4,040,517	8/1977	Torokvei	.....	220/21 X

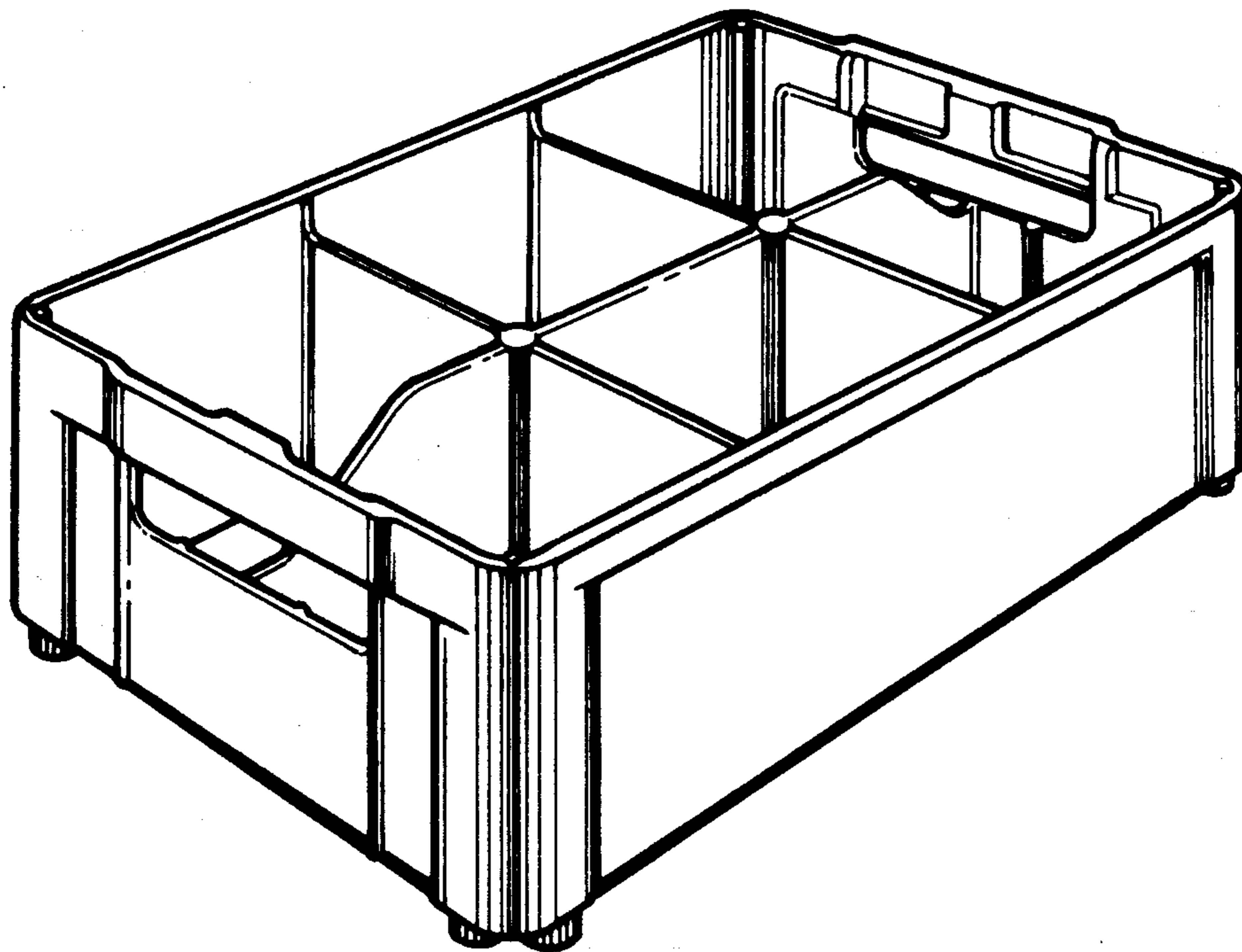
Primary Examiner—Robert C. Spangler  
Attorney, Agent, or Firm—Richards, Shefte & Pinckney

[57] CLAIM

The ornamental design for a bottle case, as shown and described.

DESCRIPTION

FIG. 1 is a top perspective view of a bottle case showing my new design;  
FIG. 2 is a bottom perspective view of the case showing the side and end not seen in FIG. 1;  
FIG. 3 is a top plan view; and  
FIG. 4 is a bottom plan view thereof.



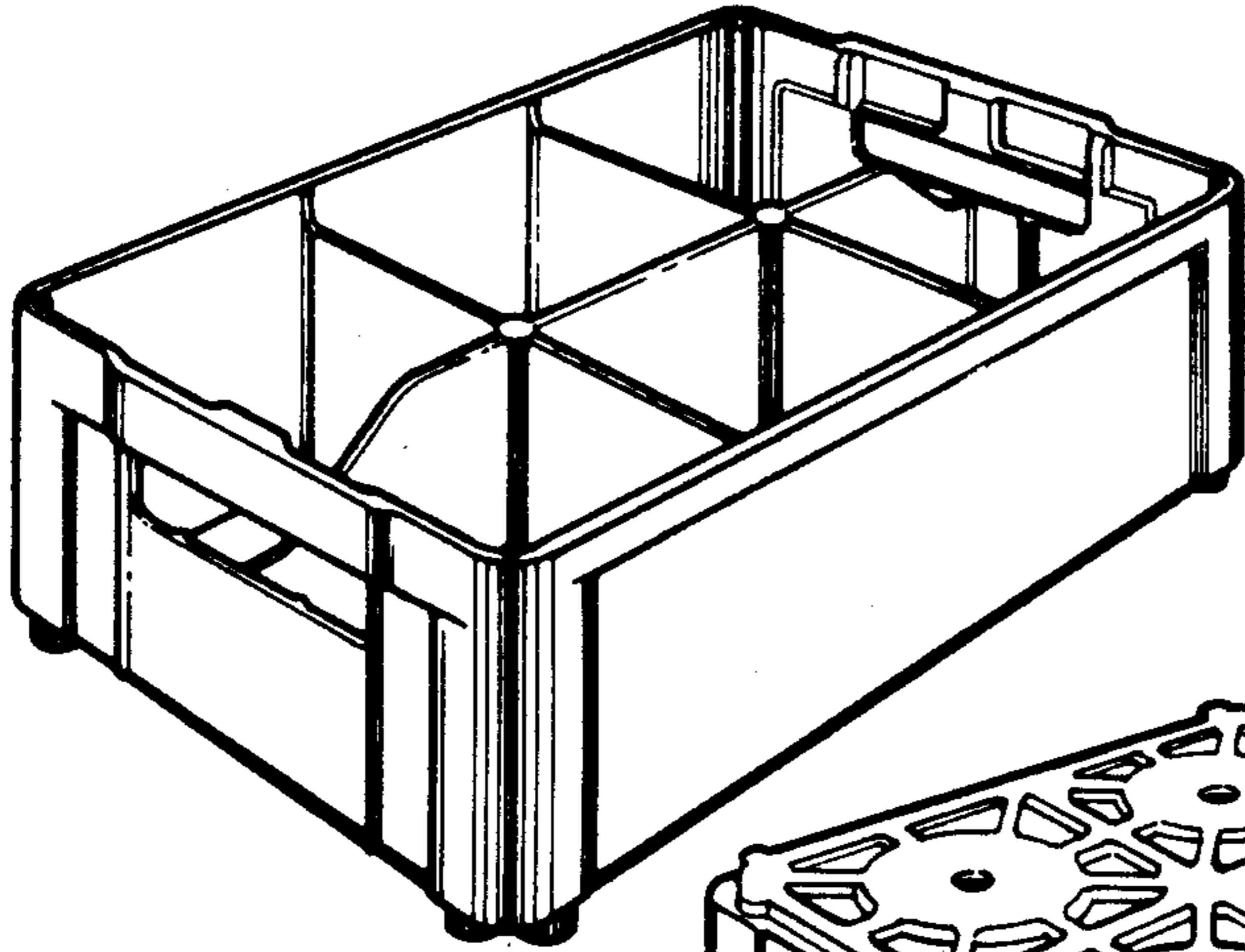


FIG. 1

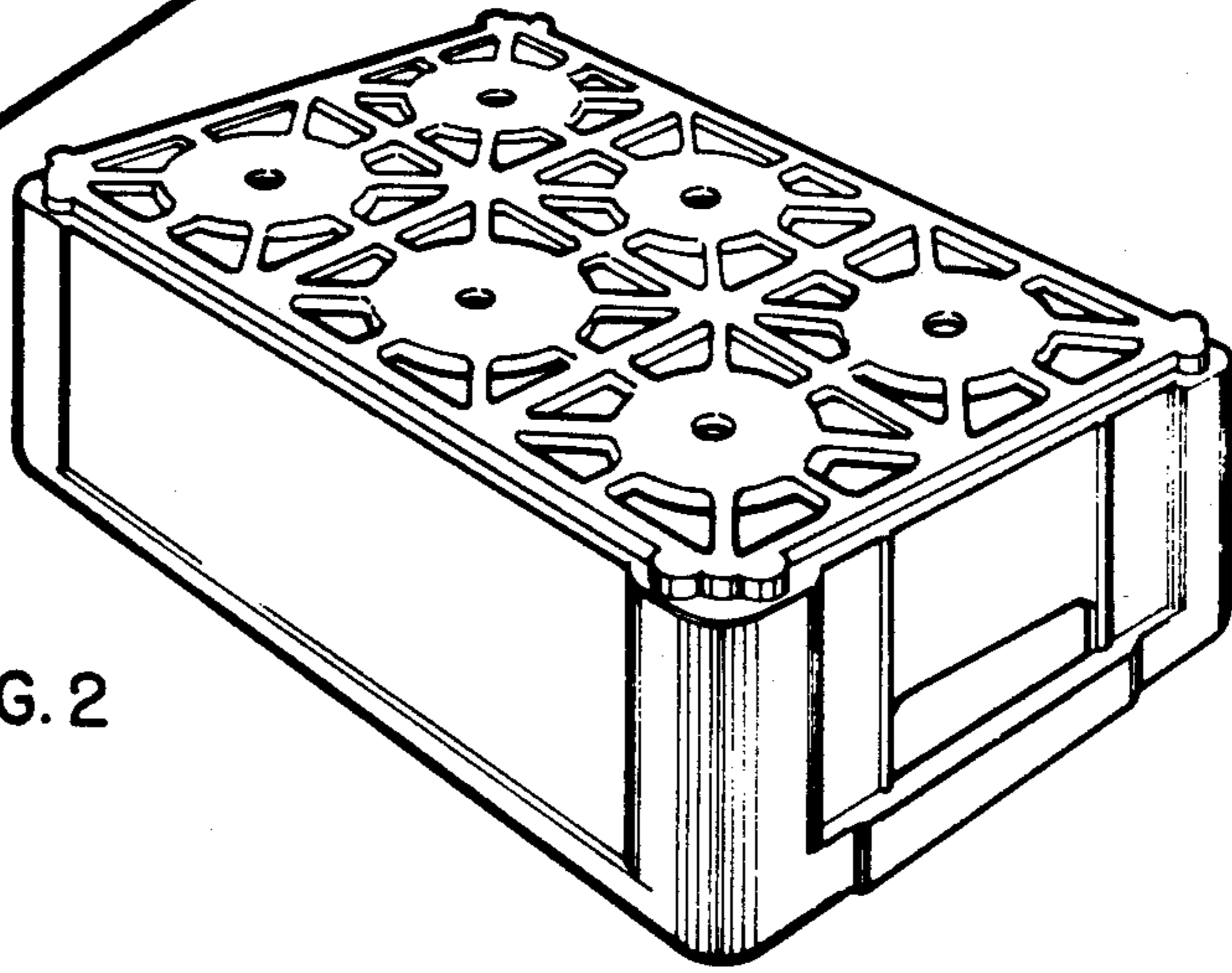


FIG. 2

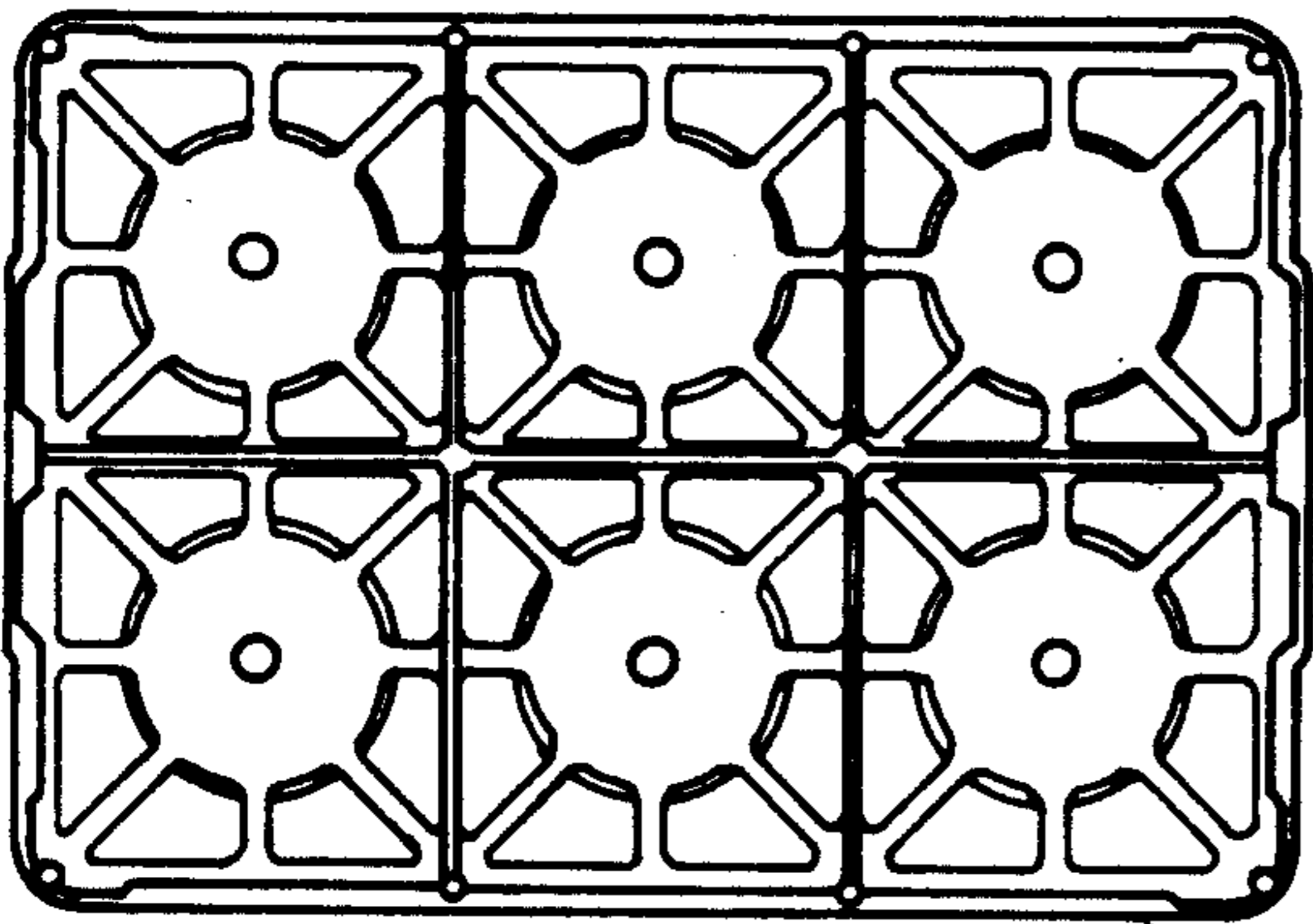


FIG. 3

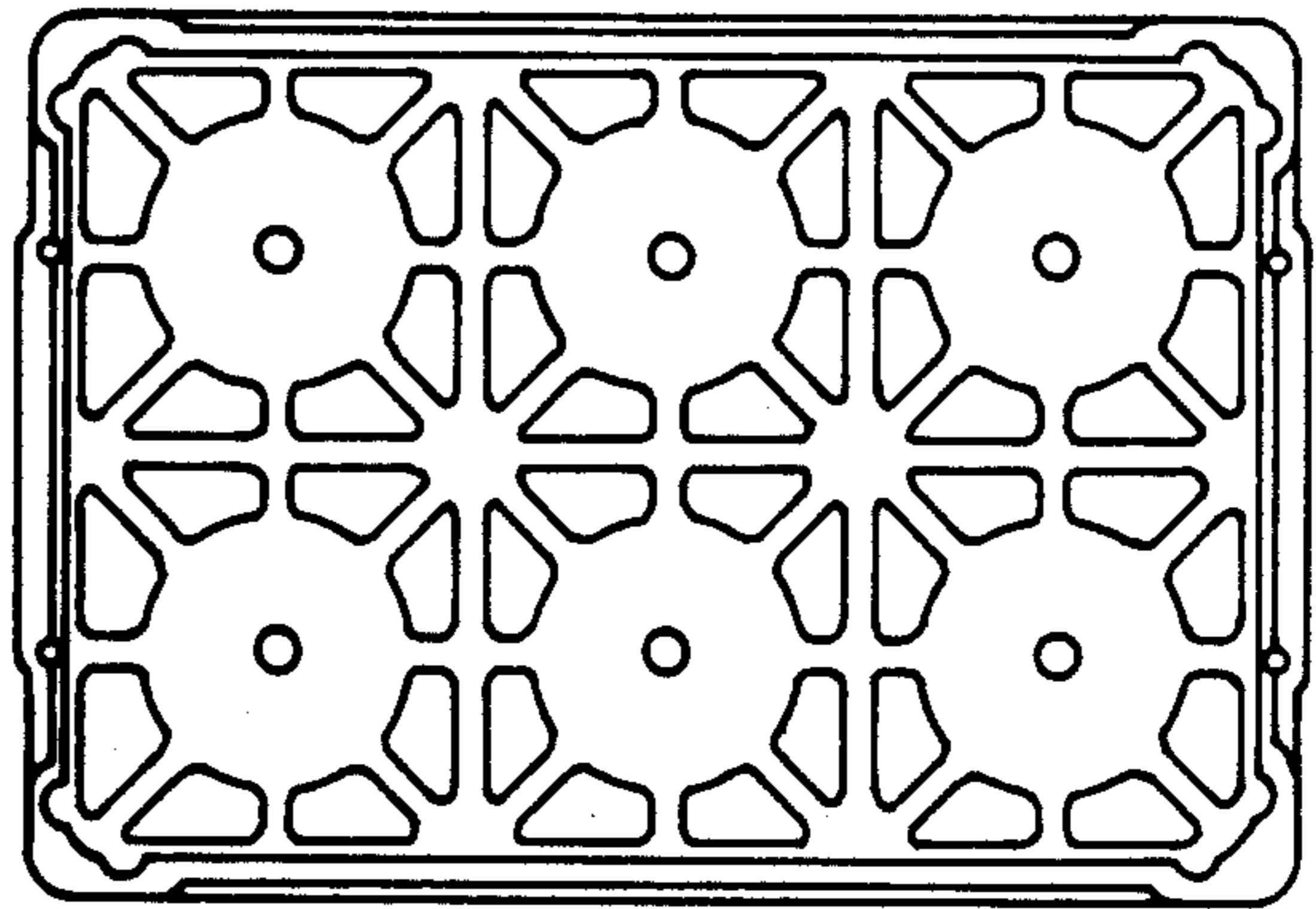


FIG. 4