

[54] WRENCH

3,618,430 11/1971 Wieck 81/57.3

[75] Inventor: Alfred V. Dacunto, Cheshire, Conn.

Primary Examiner—W. Stallard

[73] Assignee: Brimatco Corporation, Cheshire, Conn.

Attorney, Agent, or Firm—McCormick, Paulding & Huber

[**] Term: 14 Years

[57] CLAIM

[21] Appl. No.: 833,380

The ornamental design for a wrench, as shown and described.

[22] Filed: Sep. 14, 1977

DESCRIPTION

[51] Int. Cl. D8-05

FIG. 1 is a perspective view of a wrench showing my new design.

[52] U.S. Cl. D8/21; D8/28; D8/29

FIG. 2 is a top plan view of the wrench of FIG. 1.

[58] Field of Search D8/28, 21, 29; 81/57.3, 81/57

FIG. 3 is a bottom plan view of the wrench of FIG. 1.

FIG. 4 is a side elevational view of the wrench of FIG. 1, it being understood that the opposite side is a mirror image thereof.

FIG. 5 is a left end elevational view of the wrench as it appears in FIG. 4.

FIG. 6 is a right end elevational view of the wrench as it appears in FIG. 4.

[56] References Cited

U.S. PATENT DOCUMENTS

2,532,027	11/1950	Maddox	81/57.3
2,600,177	6/1952	Able et al.	81/57.3
2,817,256	12/1957	Malone et al.	81/57.3

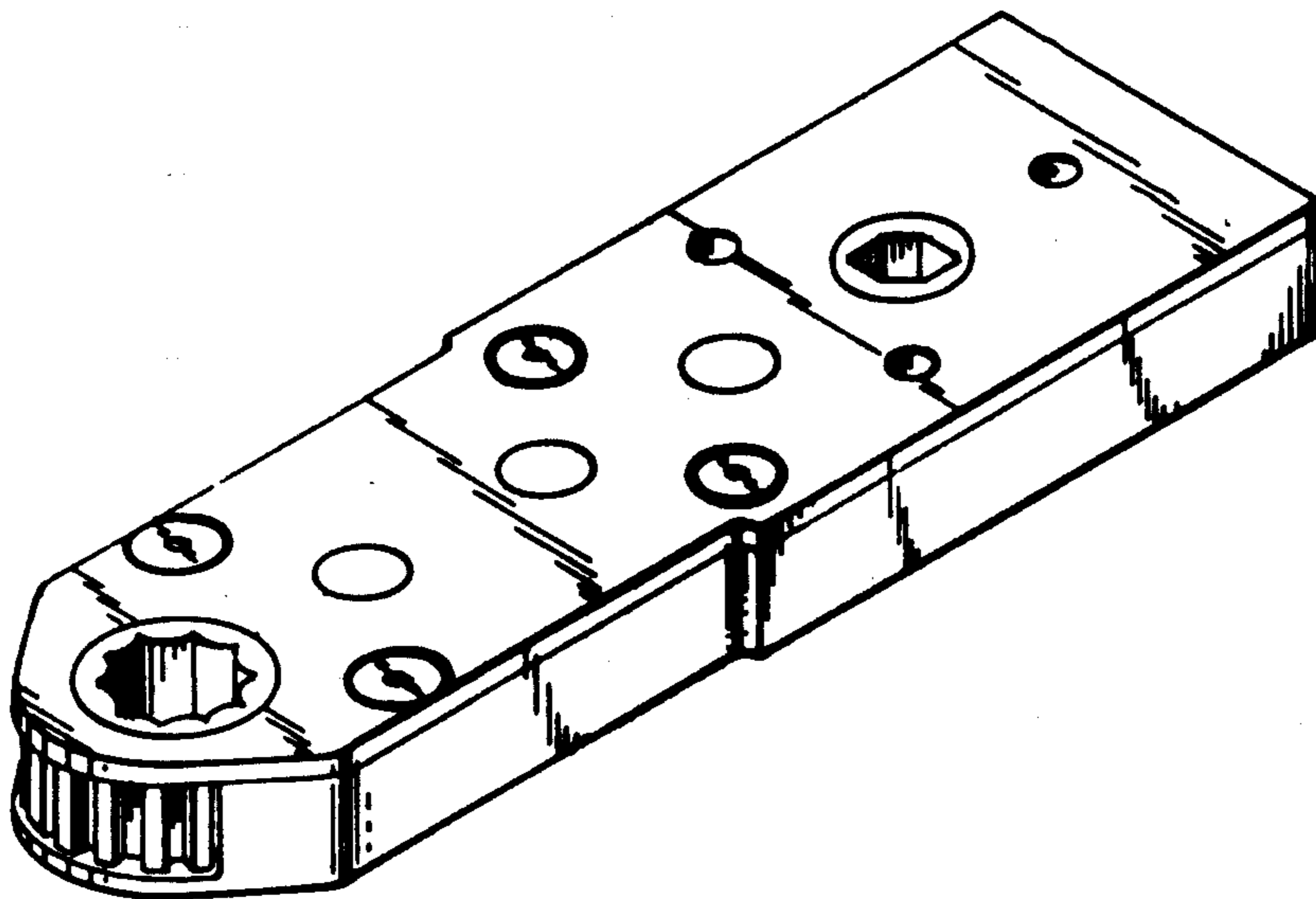


FIG. 1

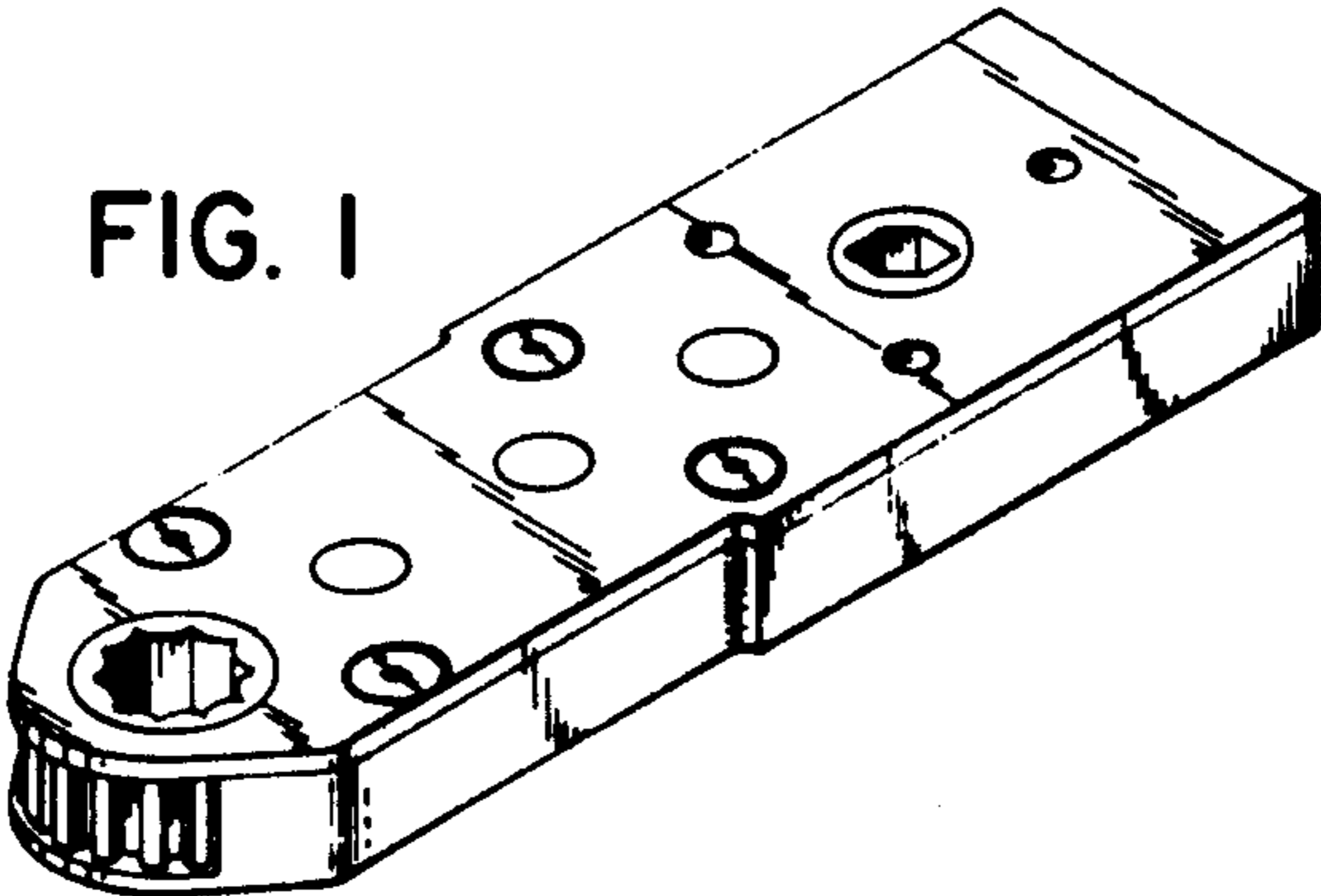


FIG. 2

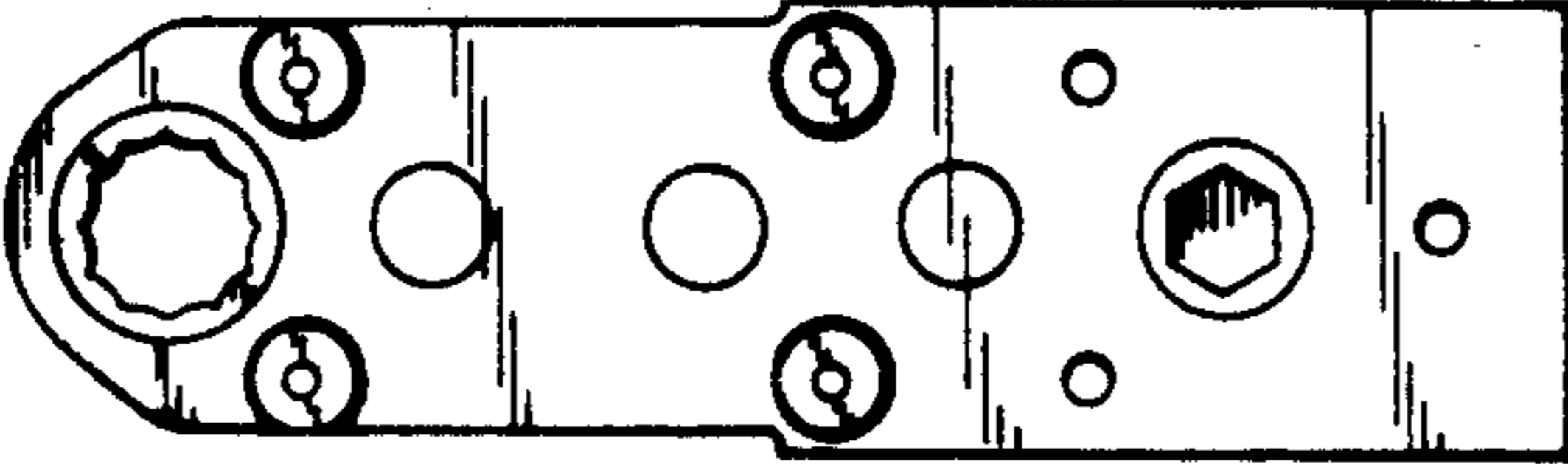


FIG. 3

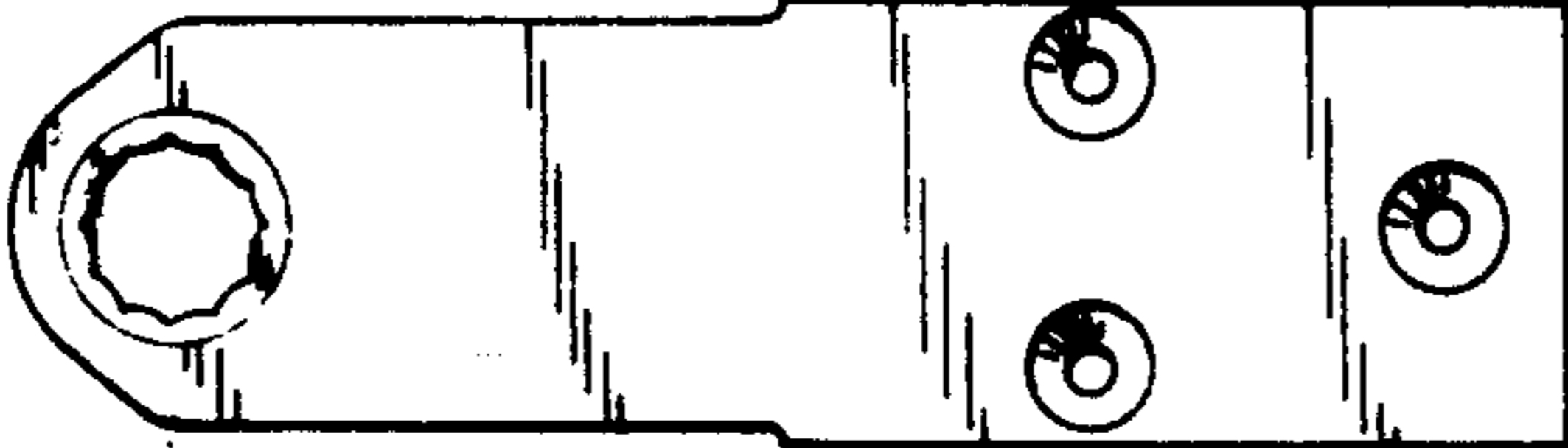


FIG. 4



FIG. 5



FIG. 6

