

[54] **GRAMOPHONE RECORD CLEANING DEVICE**

[75] Inventor: **Philip B. Arbib, Hemel Hempstead, England**

[73] Assignee: **Bib Hi-Fi Accessories Ltd., a British Company of Kelsey House, Hemel Hempstead, England**

[**] Term: **14 Years**

[21] Appl. No.: **886,914**

[22] Filed: **Mar. 10, 1978**

[30] **Foreign Application Priority Data**
Oct. 6, 1977 [GB] United Kingdom 981808/77

[51] Int. Cl. **D7-05; D4-01**
[52] U.S. Cl. **D7/161; D4/6; D4/7; D7/178**

[58] **Field of Search** D7/161, 178; D4/6, 7; 206/223, 229, 361, 362.2; 401/16, 23, 24, 37, 38, 39, 118, 126, 129, 130, 195, 196, 268, 125; 15/105, 106, 107, 114, 118, 208, 209 R, 210 R, 244, 159 R, 160, 104 A; 274/47

[56] **References Cited**

U.S. PATENT DOCUMENTS

D. 245,307	8/1977	Mont	D7/178
2,209,544	7/1940	Seeberger	401/23
4,012,151	3/1977	Spansy	401/23
4,023,677	5/1977	Wittner et al.	206/229

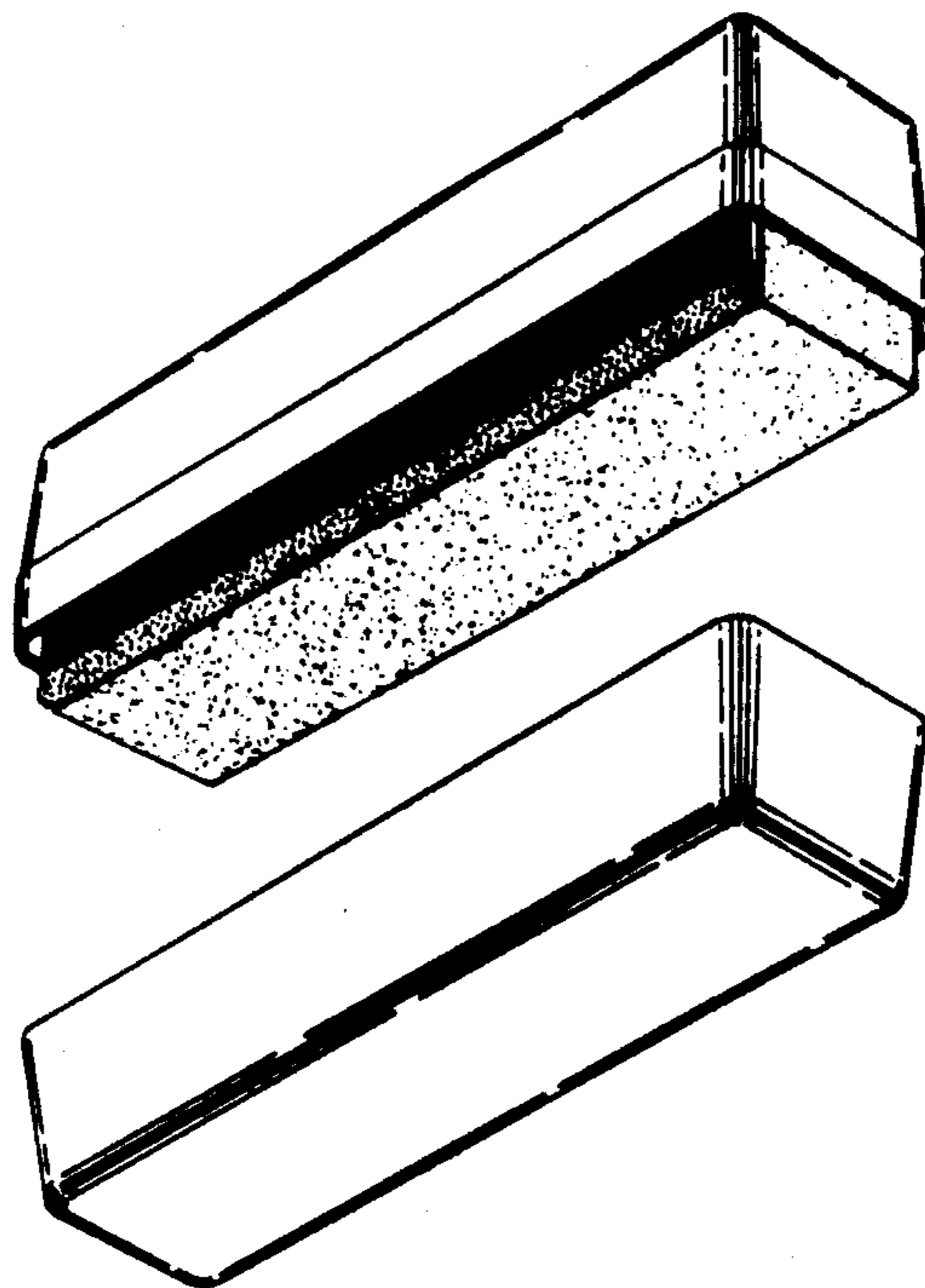
Primary Examiner—Catherine E. Kemper
Attorney, Agent, or Firm—Haseltine, Lake & Waters

[57] **CLAIM**

The ornamental design for a gramophone record cleaning device, substantially as shown.

DESCRIPTION

FIG. 1 is a top perspective view of a gramophone record cleaning device showing my new design, FIG. 2 is a side elevational view thereof, FIG. 3 is a bottom plan view thereof, FIG. 4 is an end elevational view thereof, and FIG. 5 is an exploded perspective view thereof.



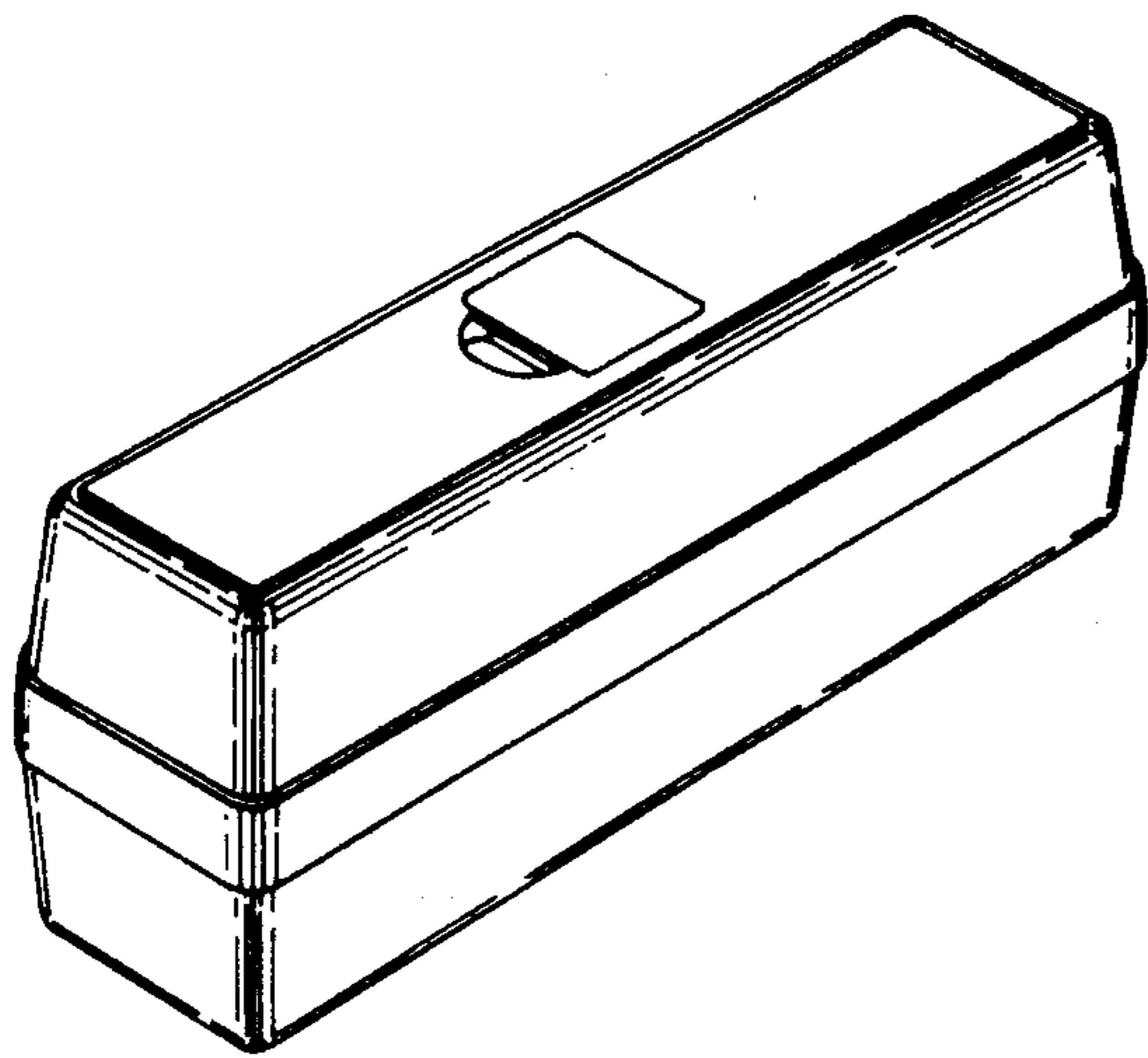


Fig. 1.

Fig. 2.

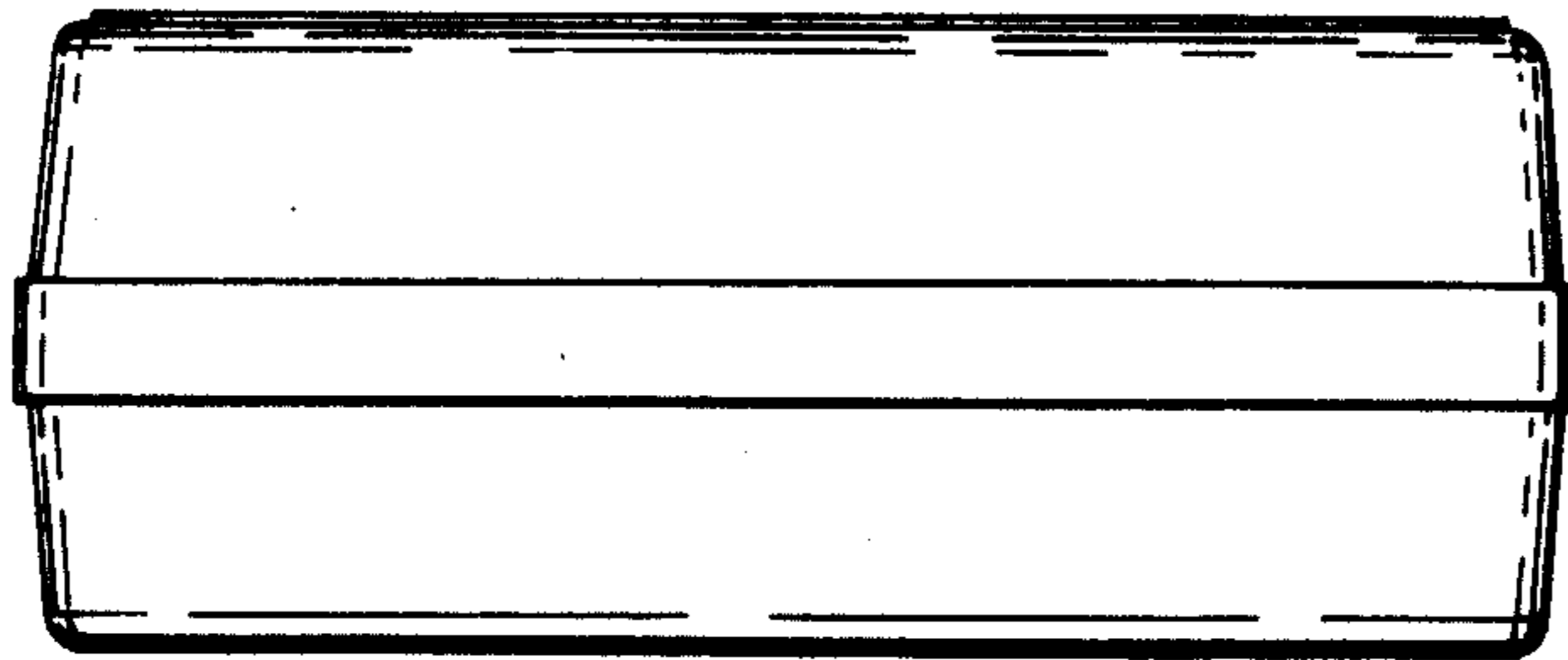


Fig. 3.

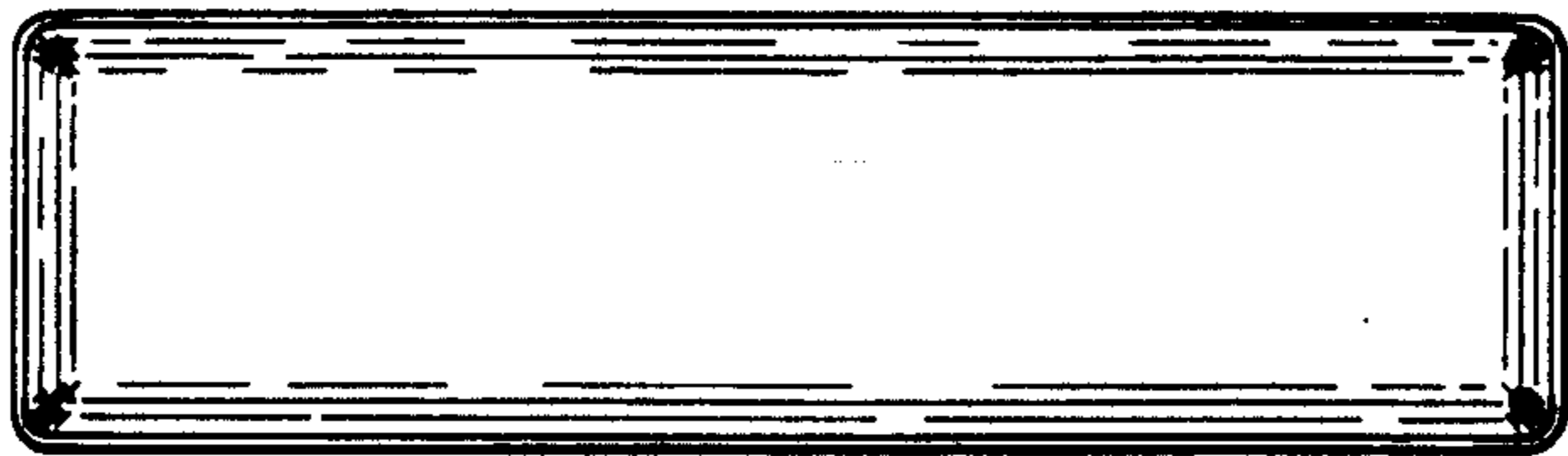


Fig. 4.

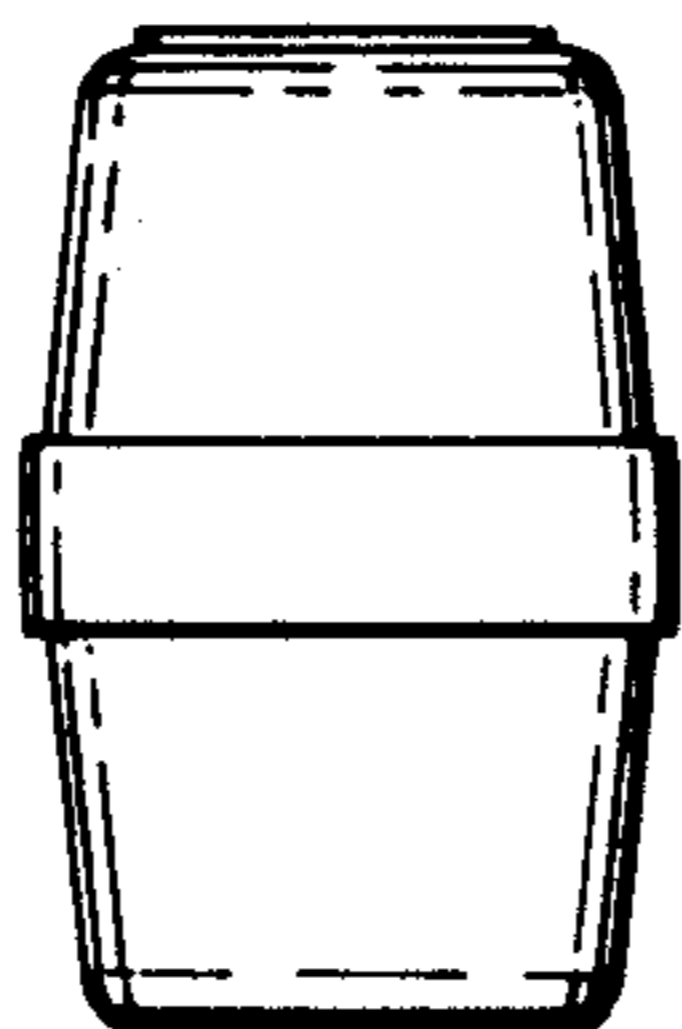


Fig. 5.

