

[54] YOGURT MAKER

[75] Inventors: John H. Free, West Bend, Wis.;
David L. Painter, Glenview, Ill.

[73] Assignee: Dart Industries Inc., Los Angeles,
Calif.

[**] Term: 14 Years

[21] Appl. No.: 863,272

[22] Filed: Dec. 22, 1977

[51] Int. Cl. D07-04

[52] U.S. Cl. D7/94; D7/96

[58] Field of Search D7/96, 85, 94; 99/453;
219/430; D28/38

[56] References Cited

U.S. PATENT DOCUMENTS

D. 161,299	12/1950	Altemiller	D7/85
D. 190,982	7/1961	Boldt	D7/94
D. 210,859	4/1968	Schellens	D28/38
D. 225,132	11/1972	Benty et al.	D28/38

D. 240,003	5/1976	Gairard	D7/96
4,009,368	2/1977	Faivre et al.	99/453 X

OTHER PUBLICATIONS

Better Homes & Gardens, Nov. 1973, p. 215, "Natural Yogurt Maker," Elec. Char-B-Que.

Evans 1977 Catalog, p. 311-X, Item #L-Salton Yogurt Maker, top center.

Primary Examiner—Winifred E. Herrmann
Attorney, Agent, or Firm—Kenneth J. Hovet

[57] CLAIM

The ornamental design for a yogurt maker, substantially as shown.

DESCRIPTION

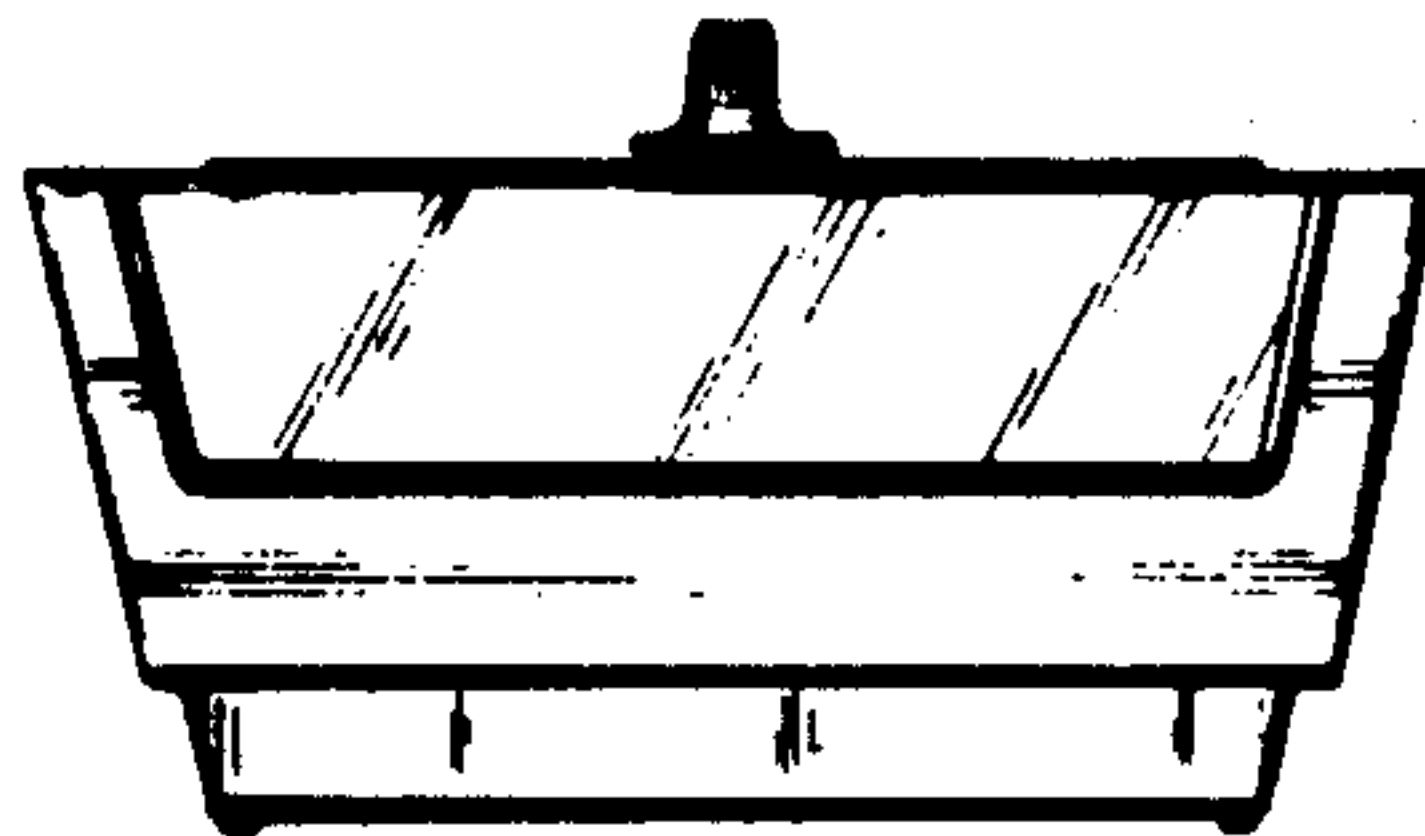
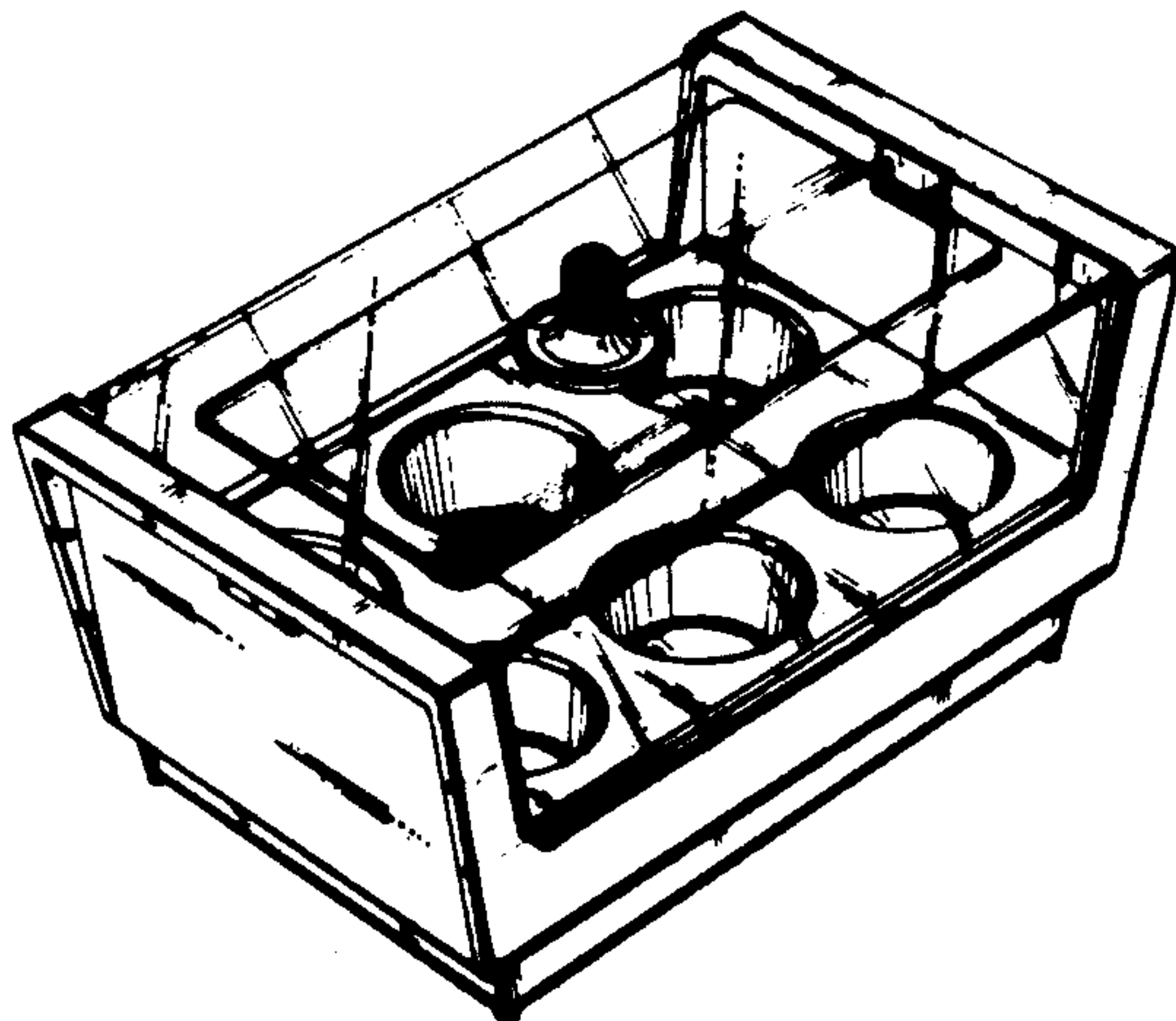
FIG. 1 is a perspective view of a yogurt maker showing our new design;

FIG. 2 is an end elevational view;

FIG. 3 is a side elevational view;

FIG. 4 is a bottom plan view; and,

FIG. 5 is a top plan view.



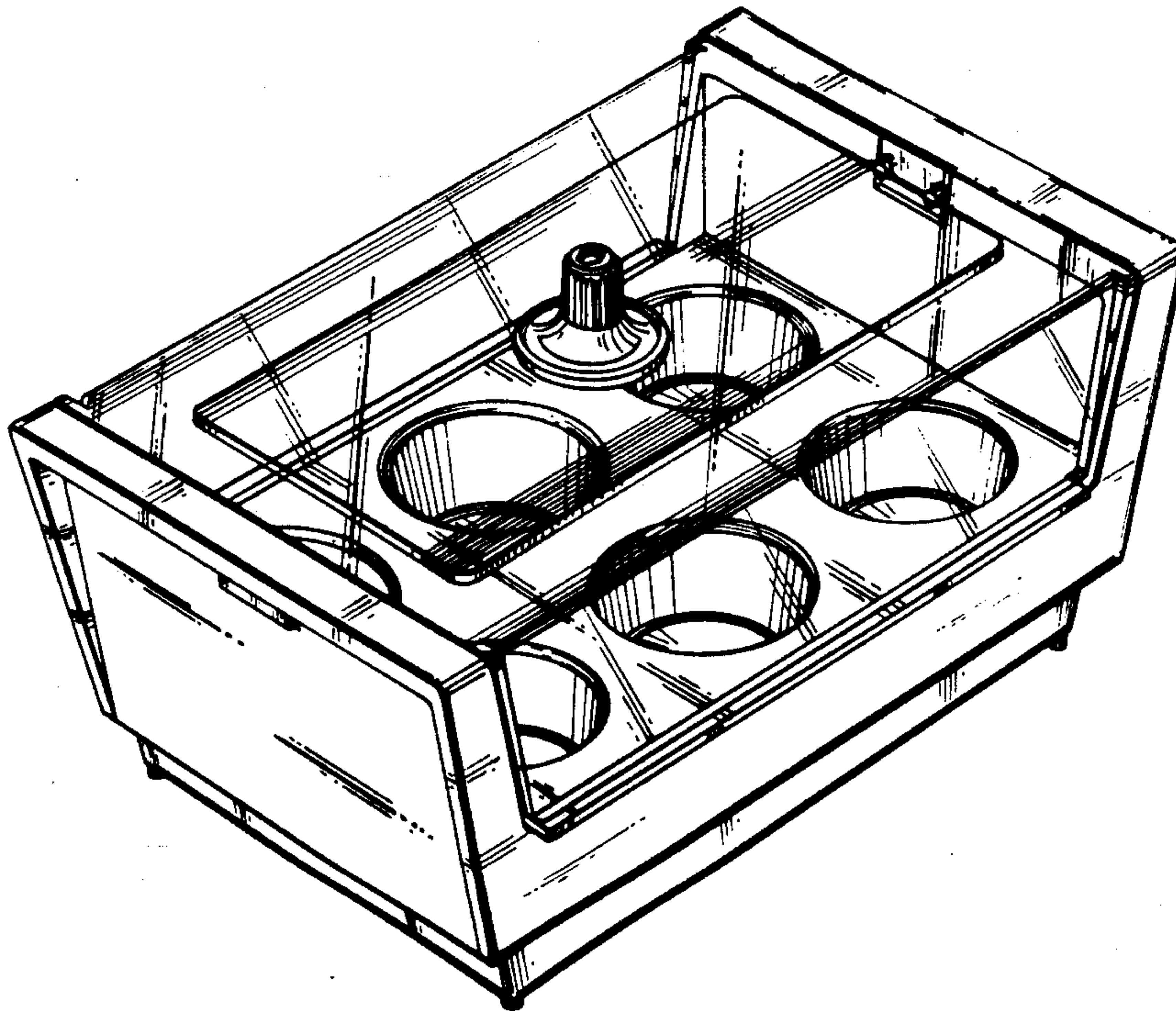


FIG. 1

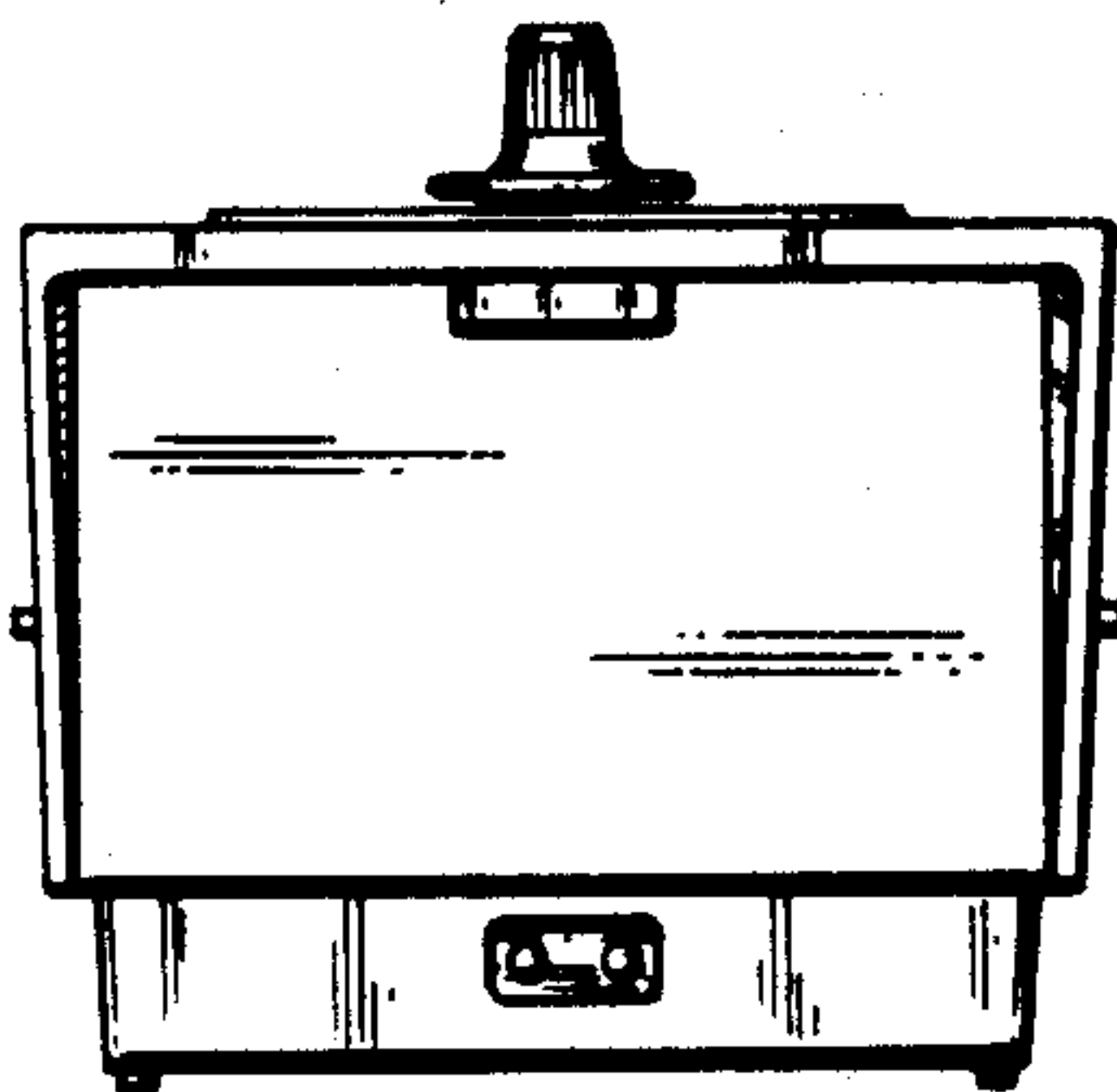


FIG. 2

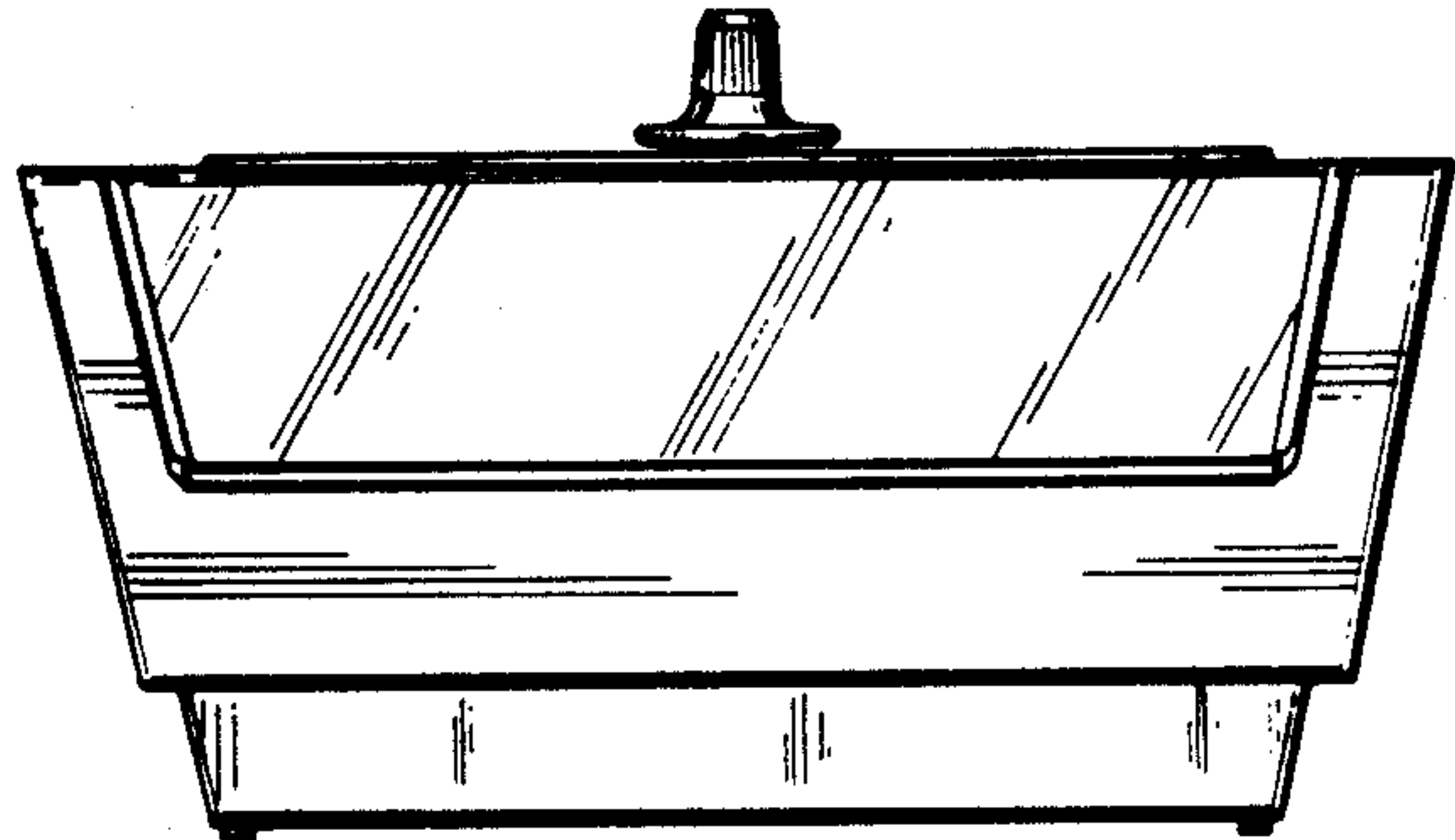


FIG. 3

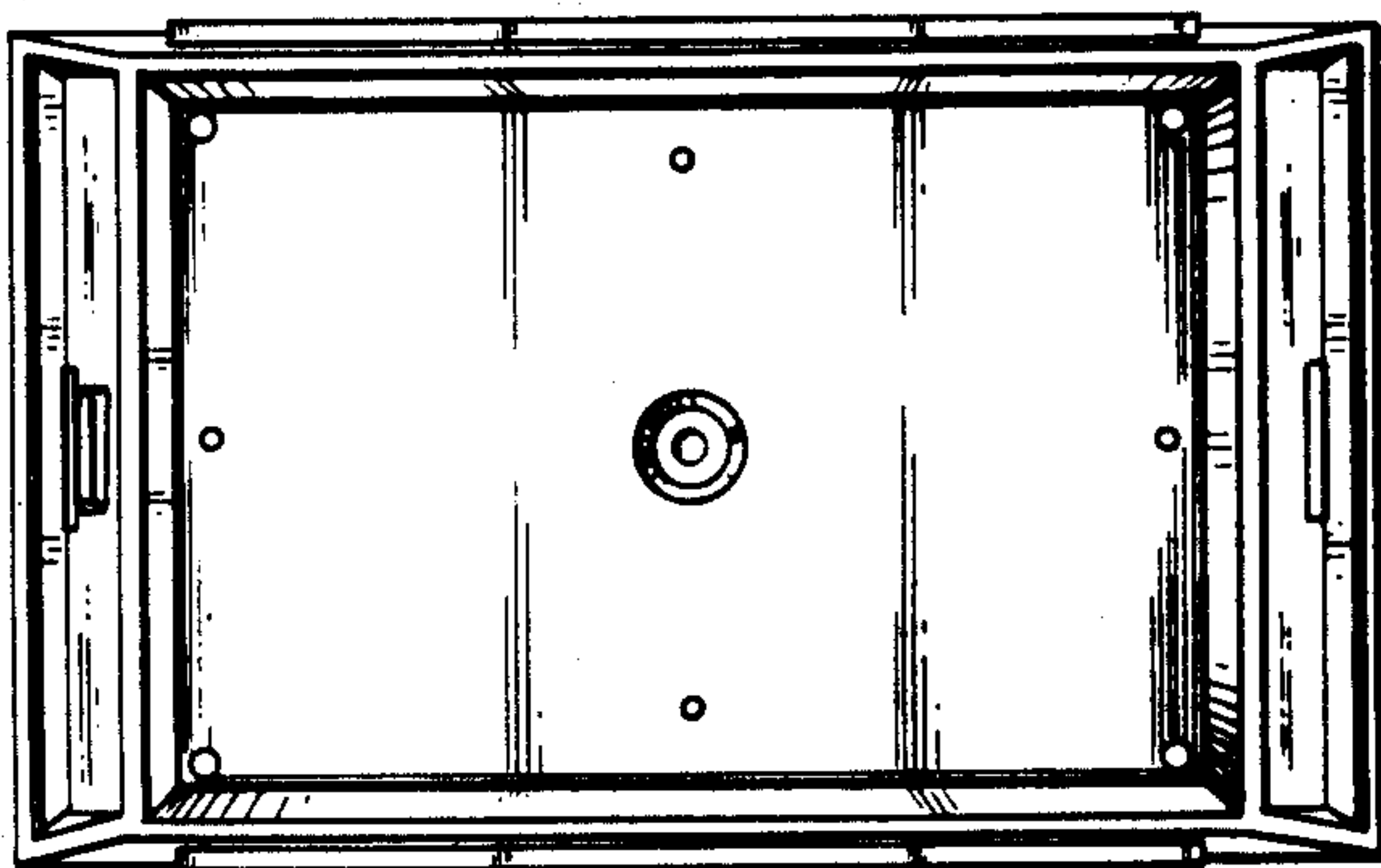


FIG. 4

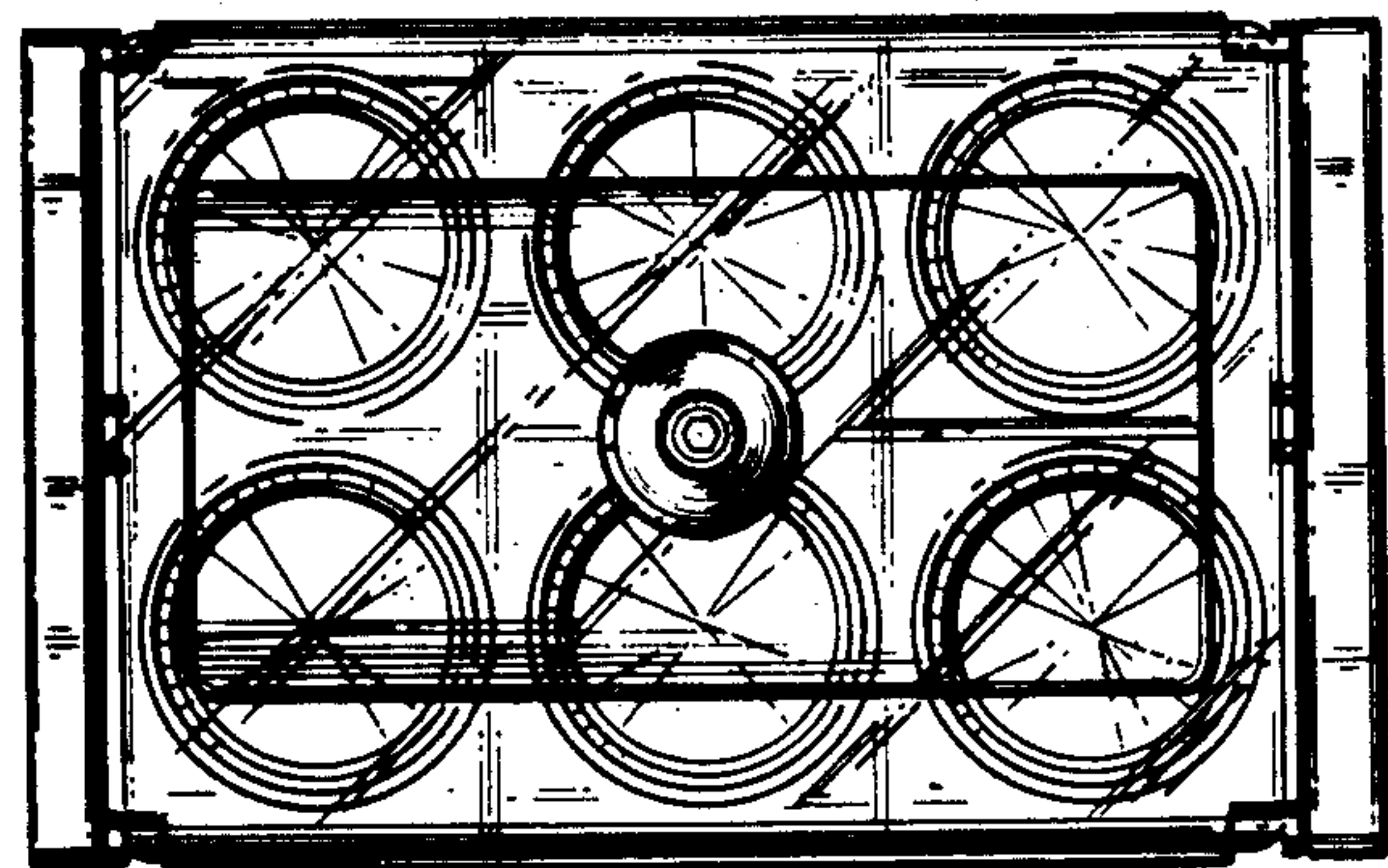


FIG. 5