

[54] CARVING BOARD

[76] Inventor: John R. Barrera, 17 Gorham St., Middlebury, Vt. 05753

[\*\*] Term: 14 Years

[21] Appl. No.: 889,121

[22] Filed: Mar. 22, 1978

[51] Int. Cl. .... D07-04

[52] U.S. Cl. .... D7/46

[58] Field of Search ..... D7/46, 38, 21; 269/302.1

[56] References Cited

U.S. PATENT DOCUMENTS

73,104 1/1868 Lewis ..... 269/302.1 X

Primary Examiner—Winifred E. Herrmann  
Attorney, Agent, or Firm—Shlesinger, Fitzsimmons & Shlesinger

[57] CLAIM

The ornamental design for a carving board, substantially as shown and described.

DESCRIPTION

FIG. 1 is a top plan view of a carving board showing my new design;

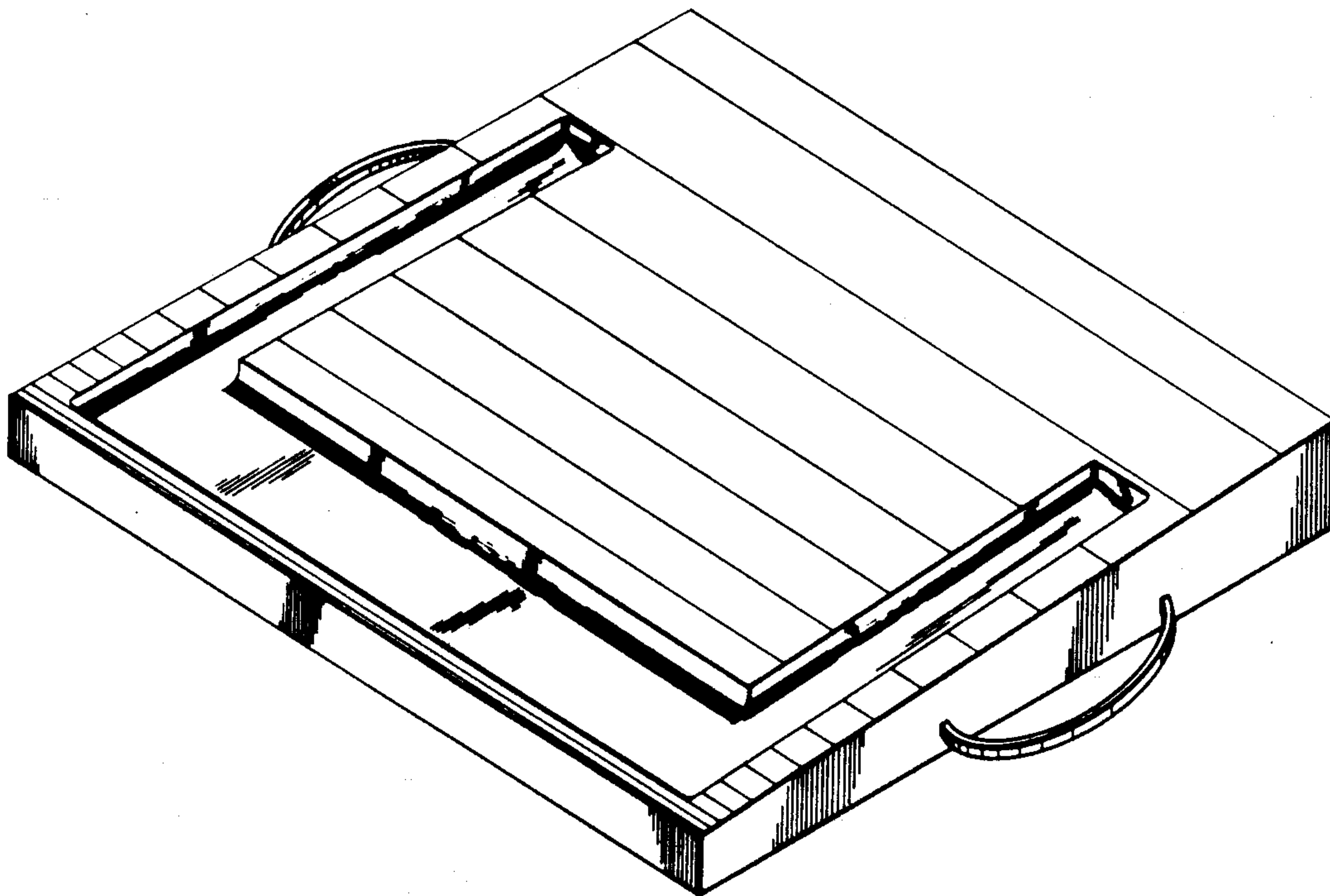
FIG. 2 is a front elevational view thereof;

FIG. 3 is a left side elevational view thereof;

FIG. 4 is an enlarged perspective view thereof; and

FIG. 5 is a sectional view taken along the line 5—5 in FIG. 1 locking in the direction of the arrows.

The bottom plan and rear elevational views of the carving board are plane and unornamented.



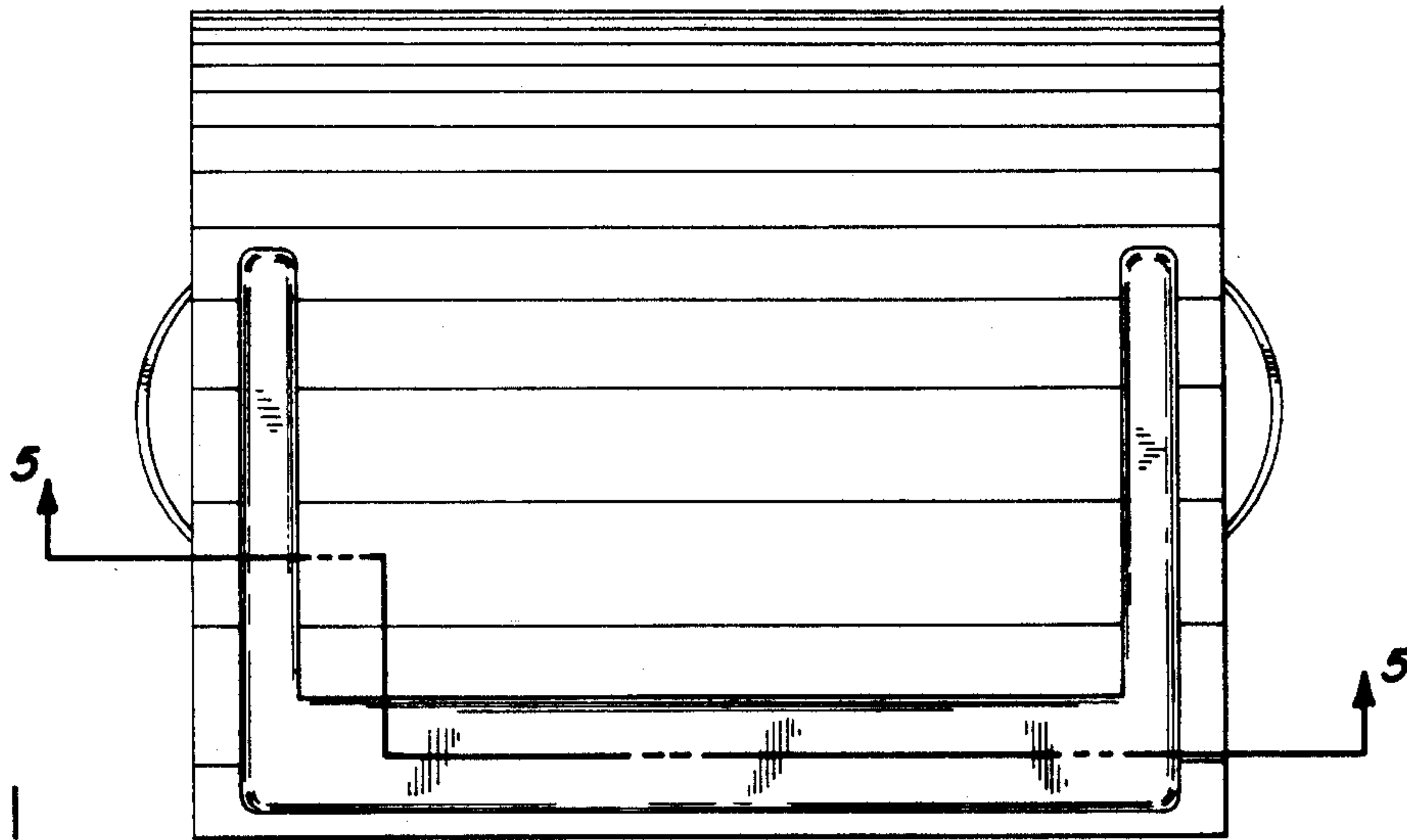


FIG. 1

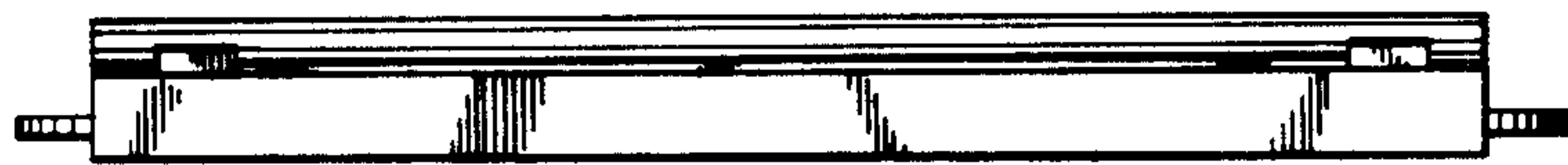


FIG. 2



FIG. 3

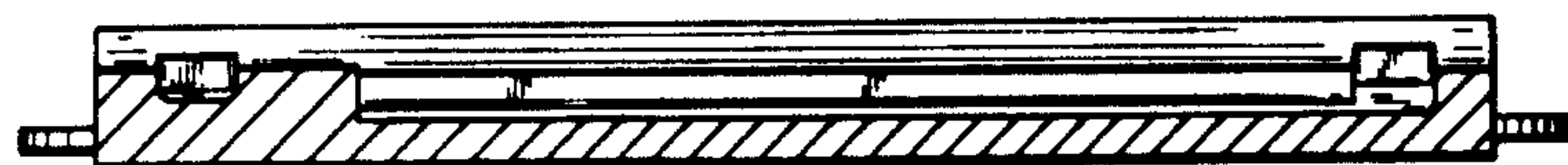


FIG. 5

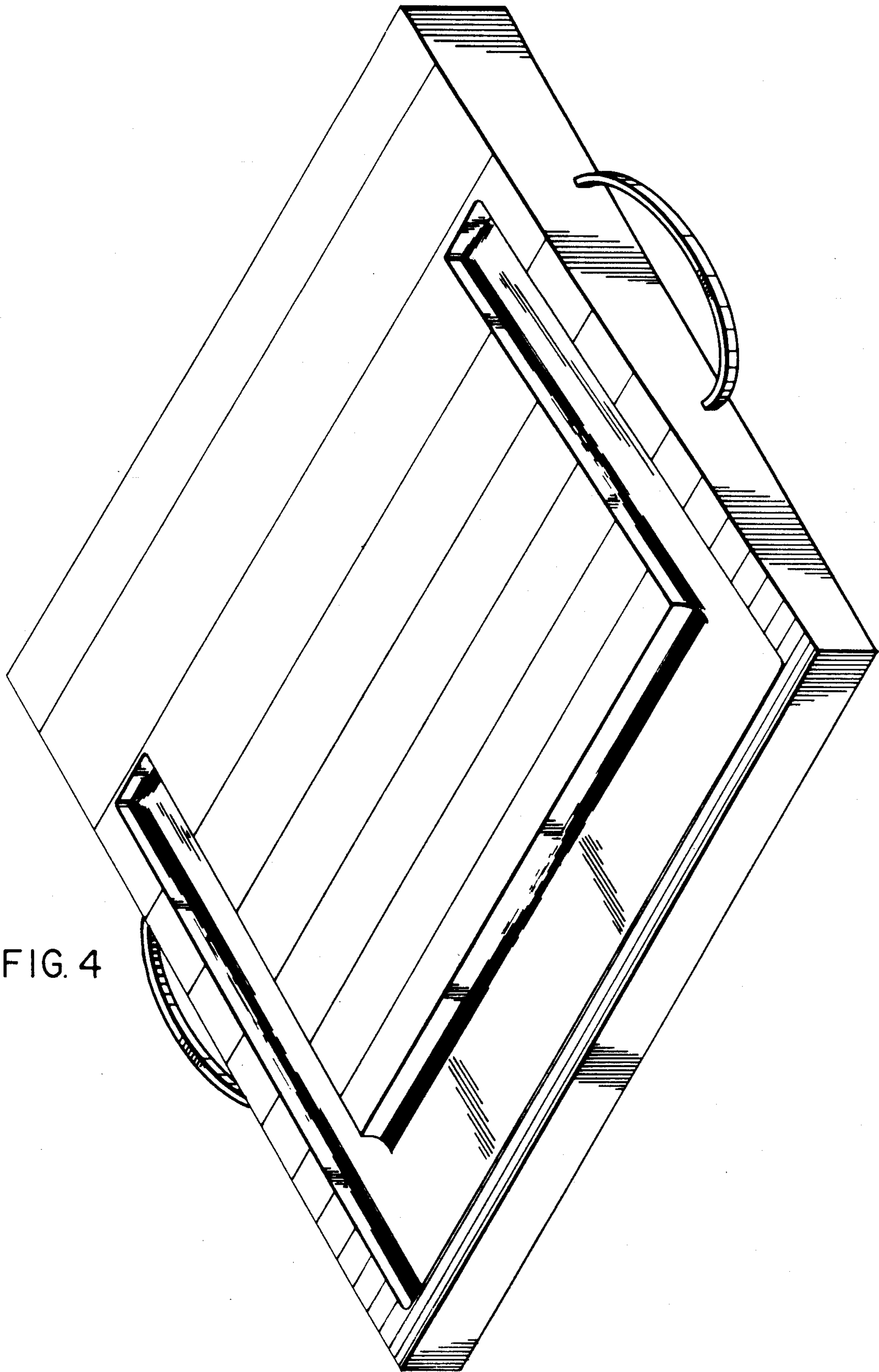


FIG. 4