

[54] BASE FOR A VAN SEAT

3,317,244 5/1967 Ferro D6/22 X

[75] Inventors: Luis R. Garza, San Antonio, Tex.;
Francis A. Tedesco, Chicago, Ill.

Primary Examiner—Bruce W. Dunkins
Attorney, Agent, or Firm—Arnstein, Gluck, Weitzenfeld
& Minow

[73] Assignee: Lifetime Foam Products, Inc.,
Franklin Park, Ill.

[57] CLAIM

[**] Term: 14 Years

The ornamental design for a base for a van seat, as
shown and described.

[21] Appl. No.: 894,232

DESCRIPTION

[22] Filed: Apr. 6, 1978

FIG. 1 is a top plan view of a base for van seat showing
our new design;

[51] Int. Cl. D6-06

FIG. 2 is a side elevational view thereof looking in the
direction of the arrows 2-2 of FIG. 1;

[52] U.S. Cl. D6/194

FIG. 3 is a side elevational view thereof looking in the
direction of the arrows 3-3 of FIG. 1;

[58] Field of Search D6/20-31,
D6/47, 48, 37-39, 67, 68, 71-78, 191, 193, 194,
195, 196

FIG. 4 is an end elevational view thereof looking in the
direction of the arrows 4-4 of FIG. 2;

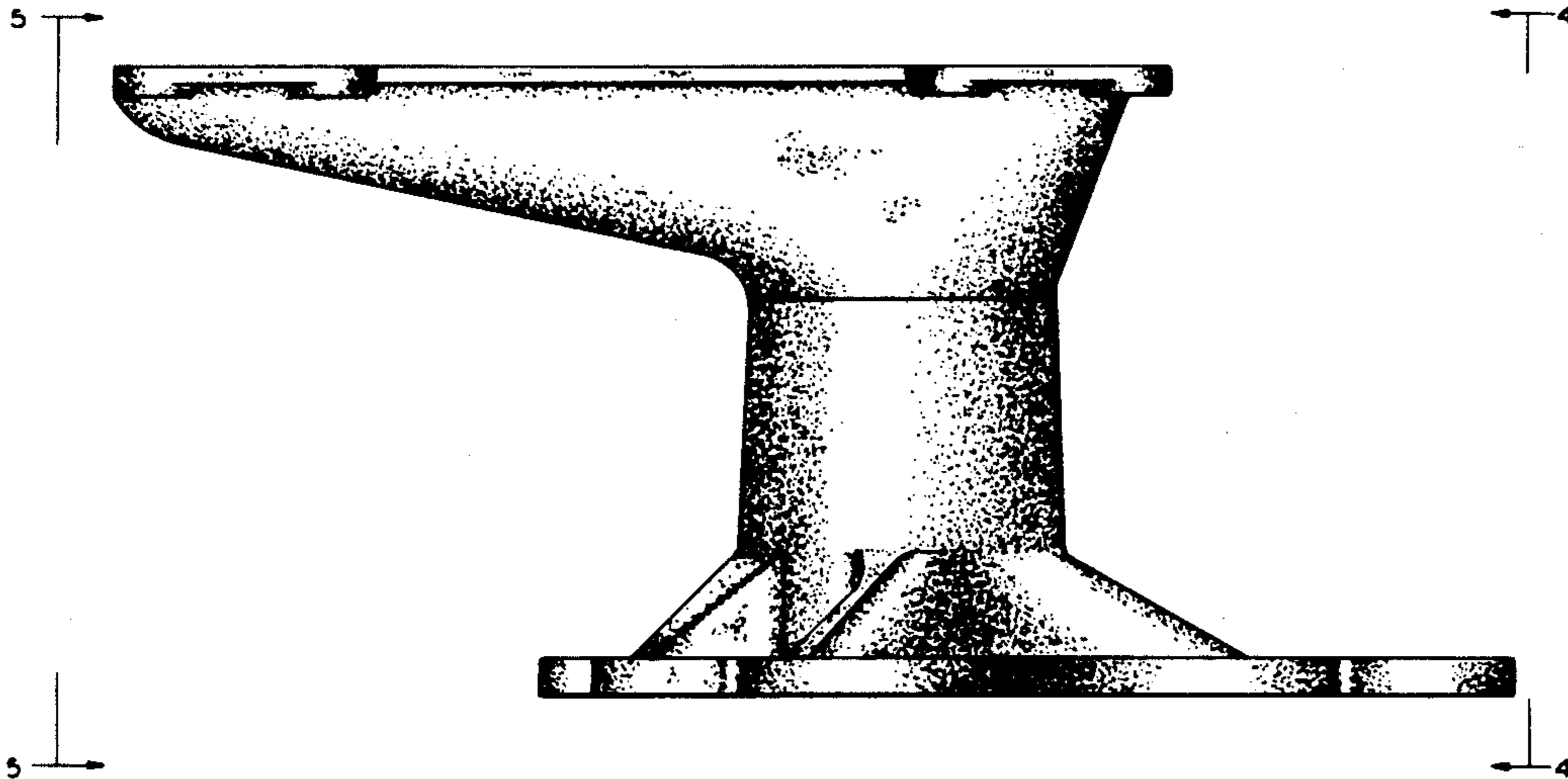
[56] References Cited

U.S. PATENT DOCUMENTS

FIG. 5 is an end elevational view thereof looking in the
direction of the arrows 5-5 of FIG. 2; and

FIG. 6 is a bottom plan view thereof.

D. 242,758 12/1976 Strang D6/194



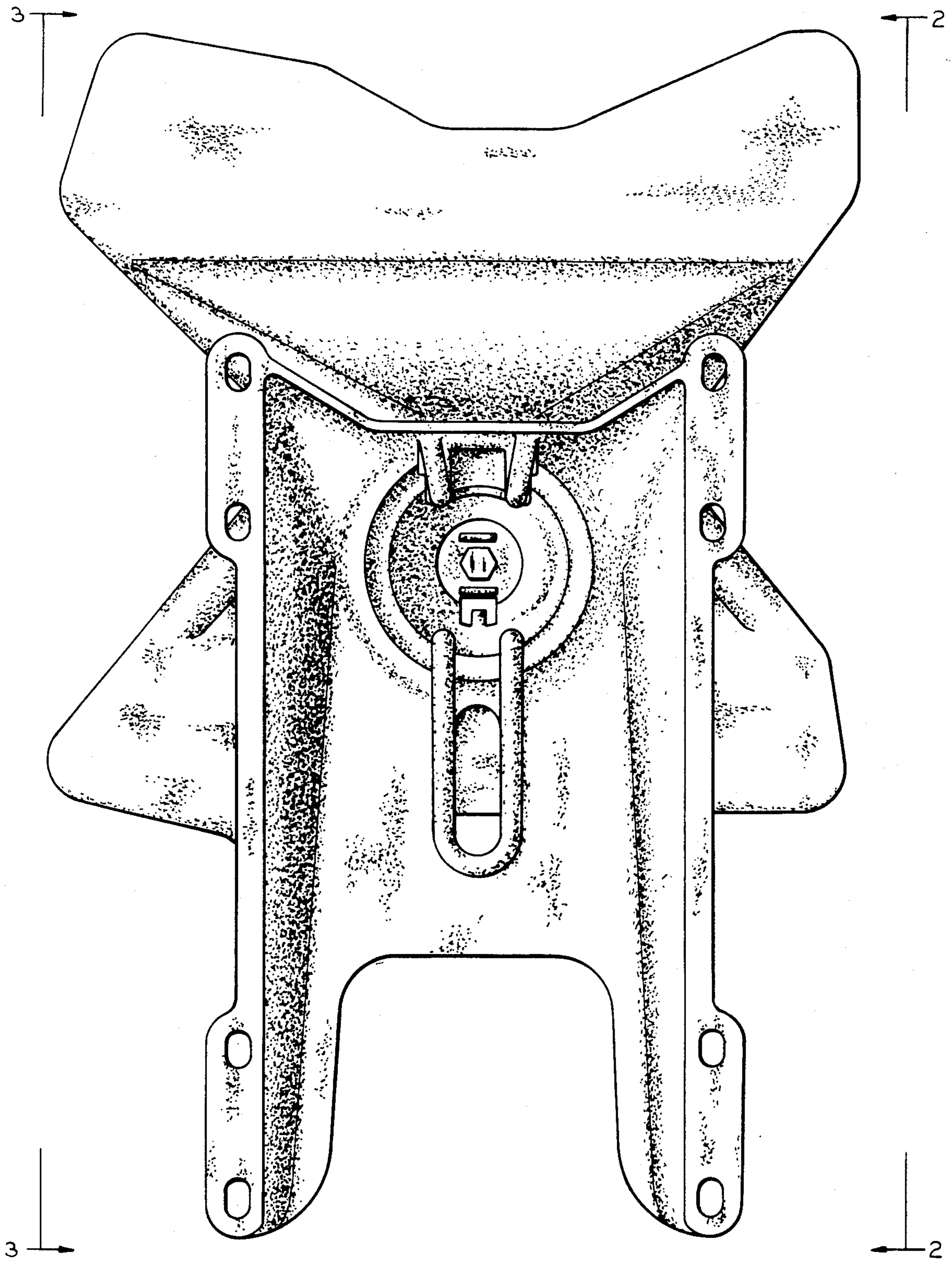


FIG.1

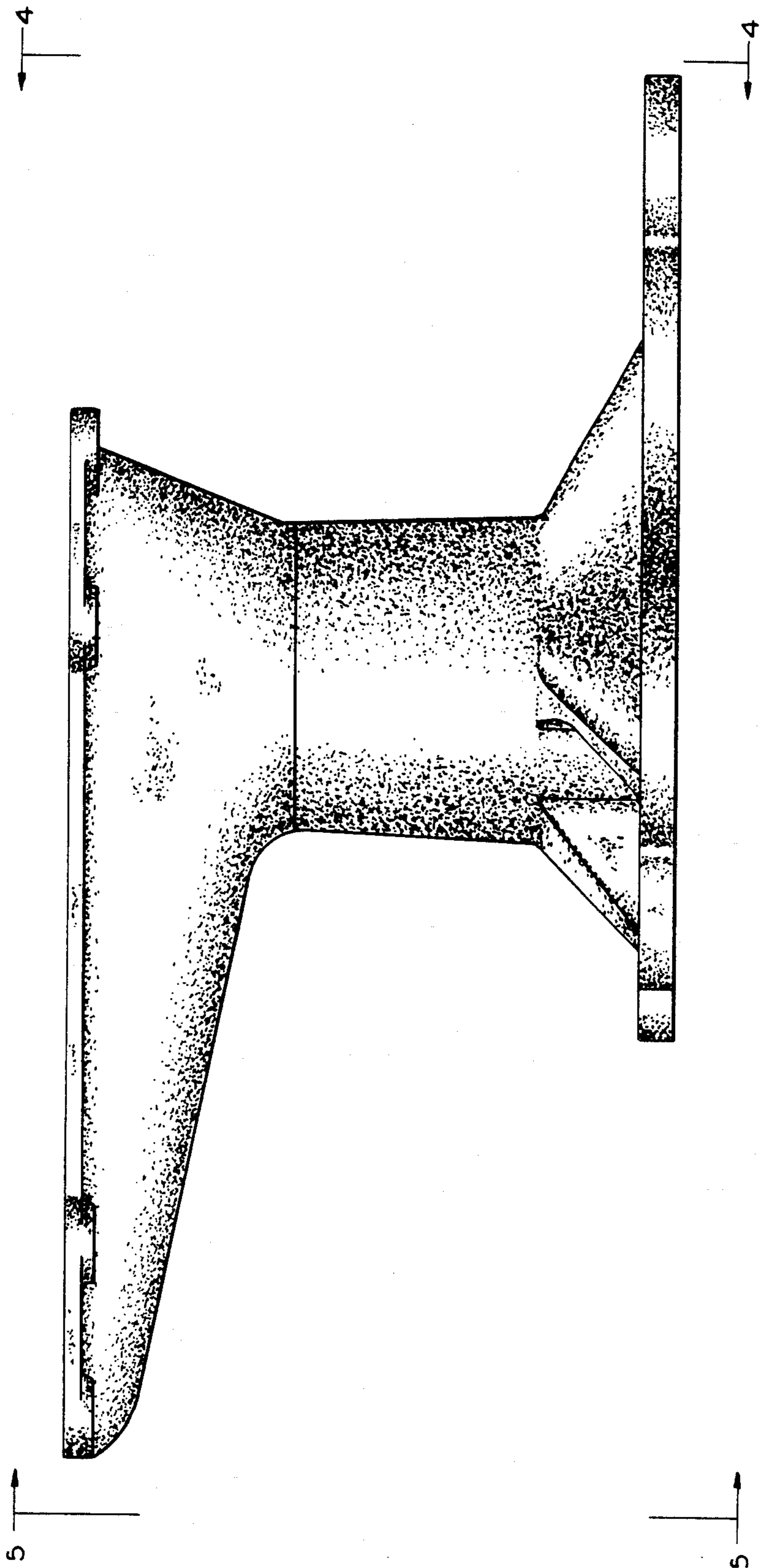


FIG. 2

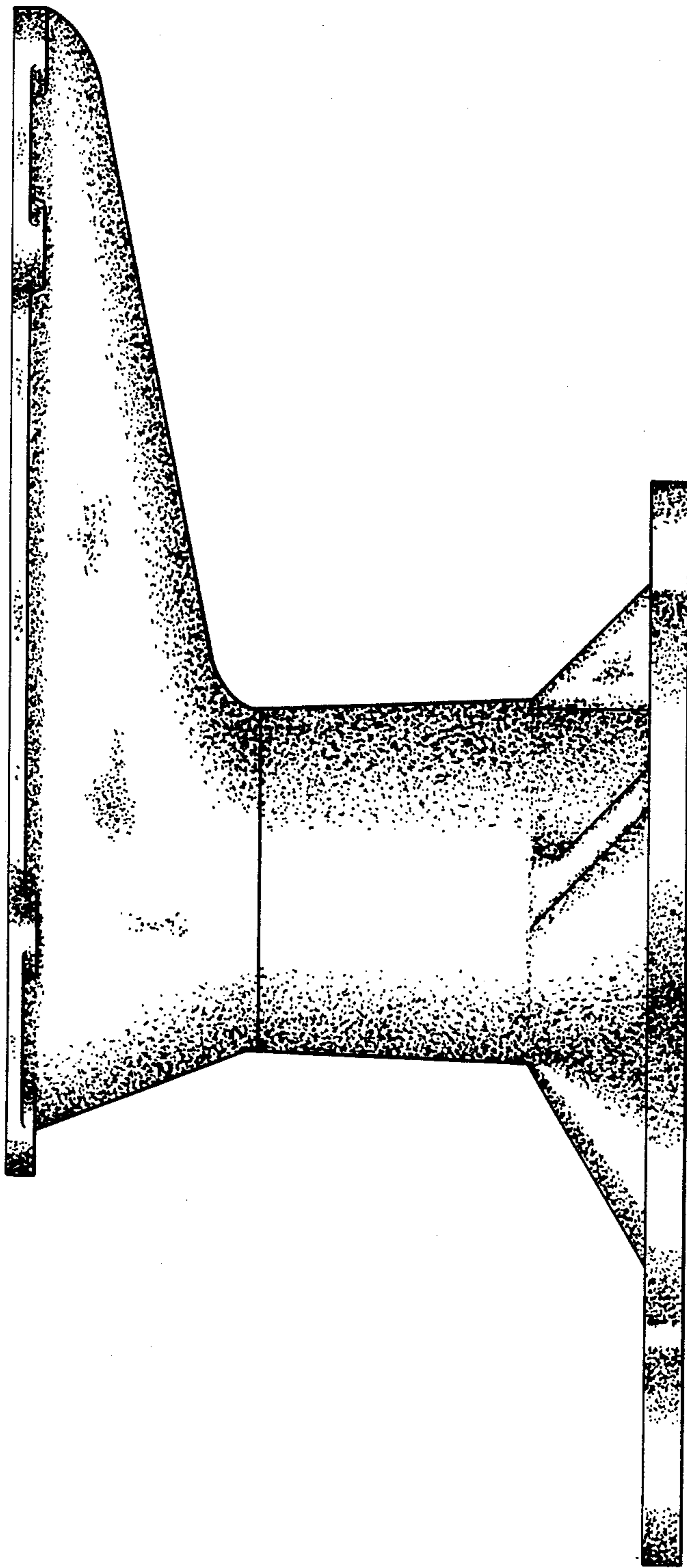


FIG. 3

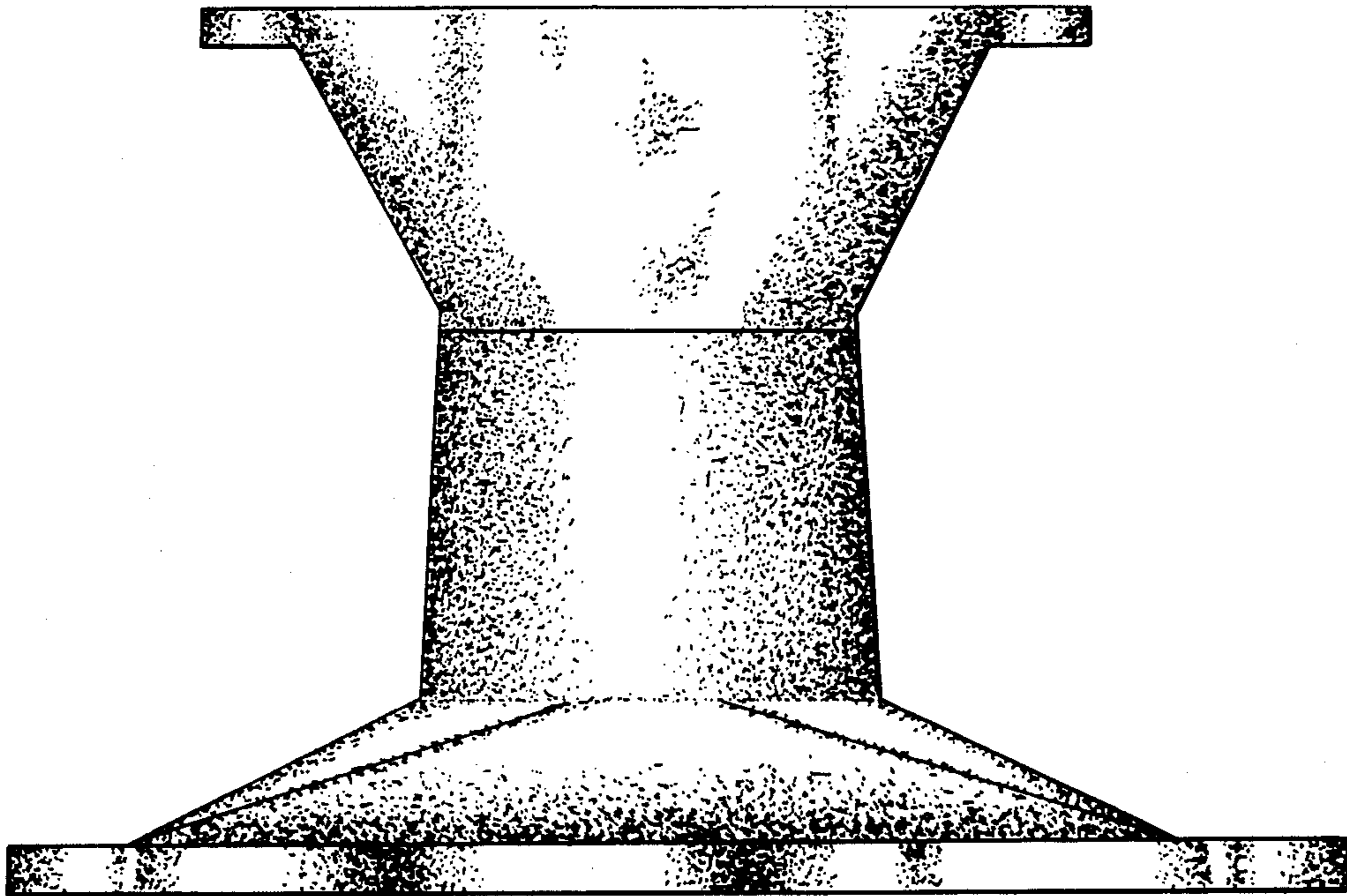


FIG. 4

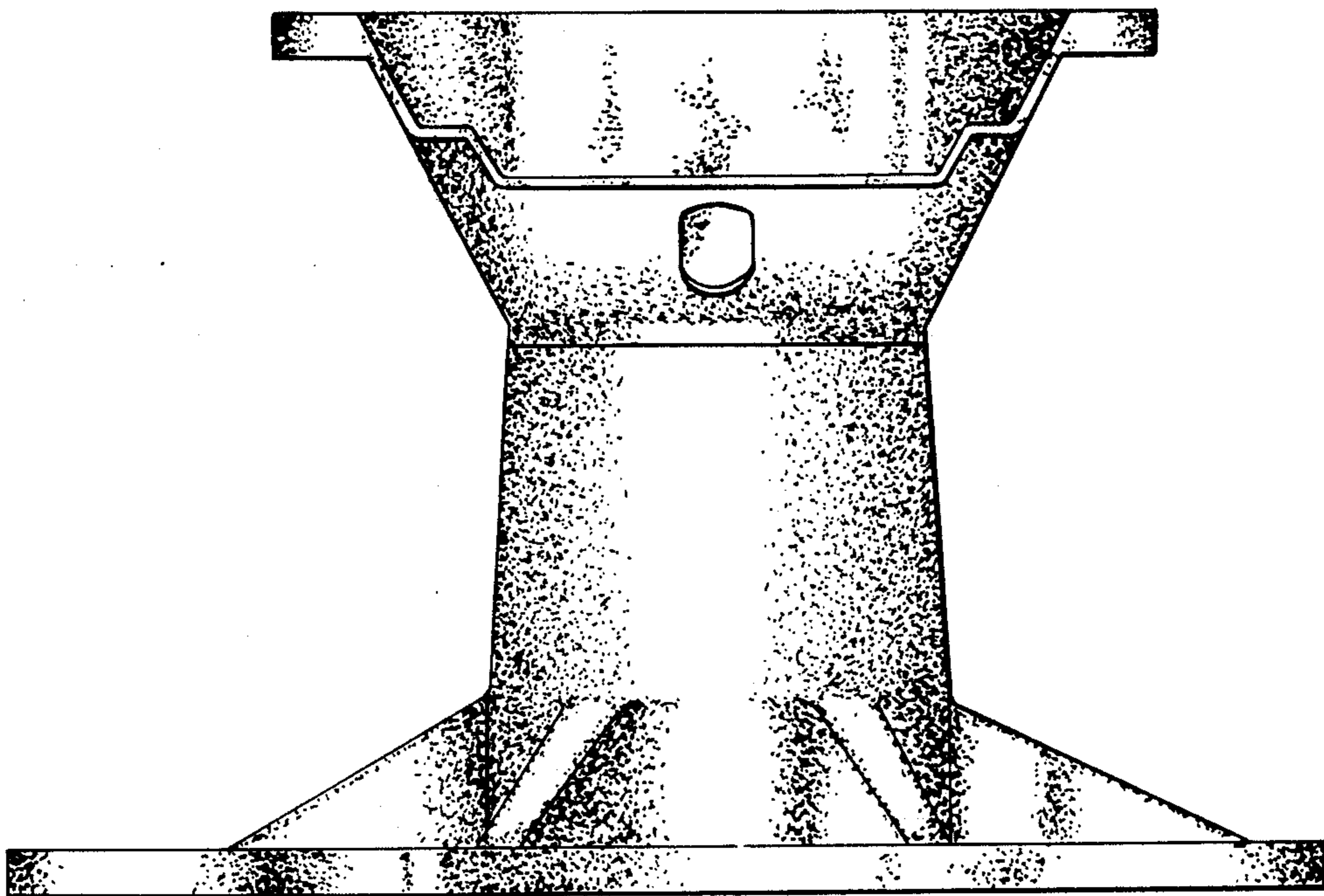


FIG. 5

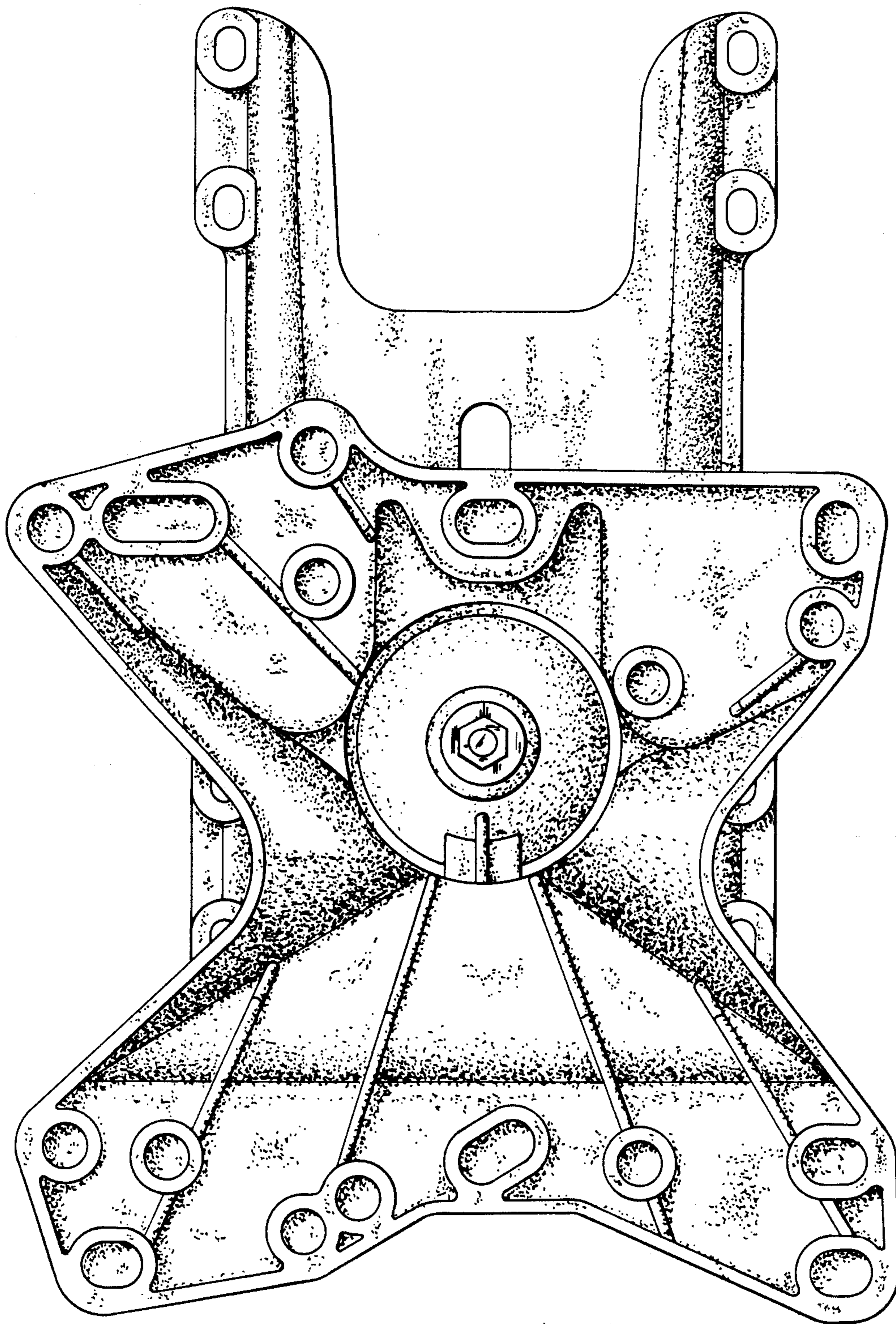


FIG. 6