

[54] COCKTAIL TABLE

[76] Inventor: Joseph E. Adkinson, 3807 Leland St., Chevy Chase, Md. 20015

[**] Term: 14 Years

[21] Appl. No.: 859,540

[22] Filed: Dec. 12, 1977

[51] Int. Cl. D6-03

[52] U.S. Cl. D6/177

[58] Field of Search D6/145, 146, 147, 148, D6/149, 156, 176, 177, 178, 179

[56] References Cited

U.S. PATENT DOCUMENTS

- D. 233,872 12/1974 Jester D6/177
- D. 240,186 6/1976 Rosen D6/177

OTHER PUBLICATIONS

California House Furn. Cat. ©1973, p. 1, Coffee Table top right.

Primary Examiner—Bruce W. Dunkins
Attorney, Agent, or Firm—Laurence R. Brown

[57] CLAIM

The ornamental design for a cocktail table or the like, substantially as shown and described.

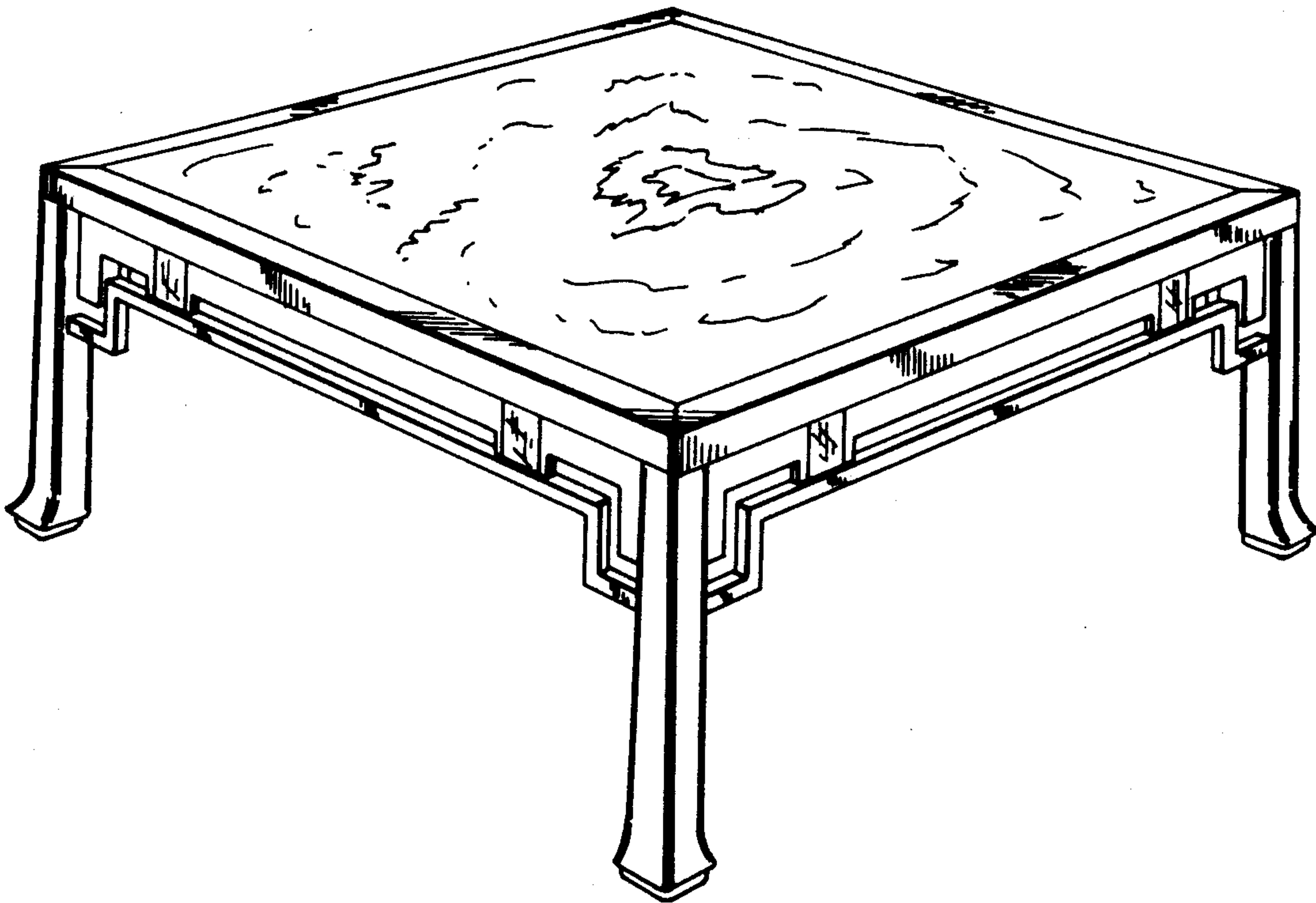
DESCRIPTION

FIG. 1 is a perspective view of a cocktail table or the like showing my design;

FIG. 2 is a top plan view; and

FIG. 3 is a side elevational view thereof.

The two sides of the table not shown in their entirety in FIG. 1 are the same in appearance as the side disclosed in FIG. 3.



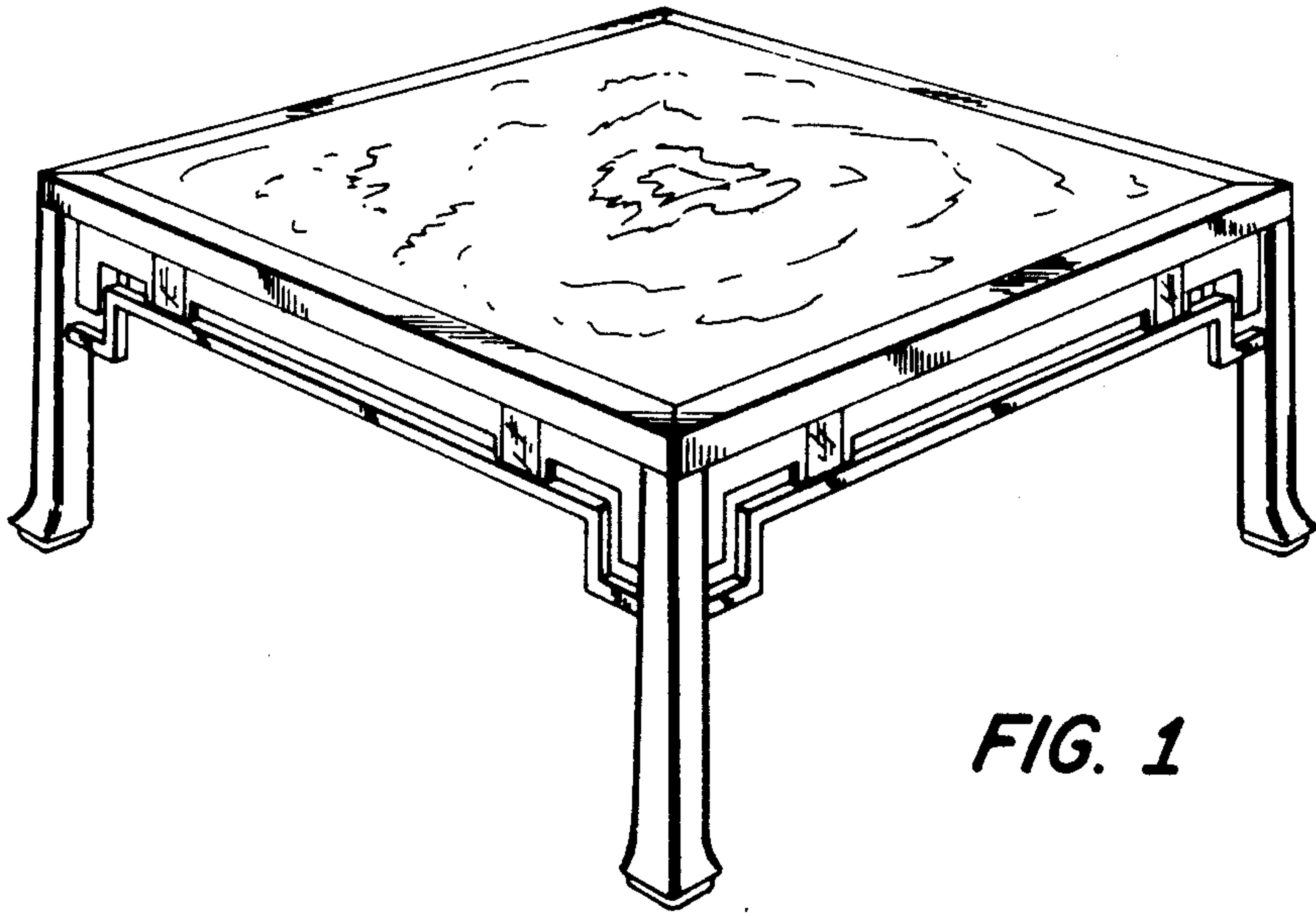


FIG. 1

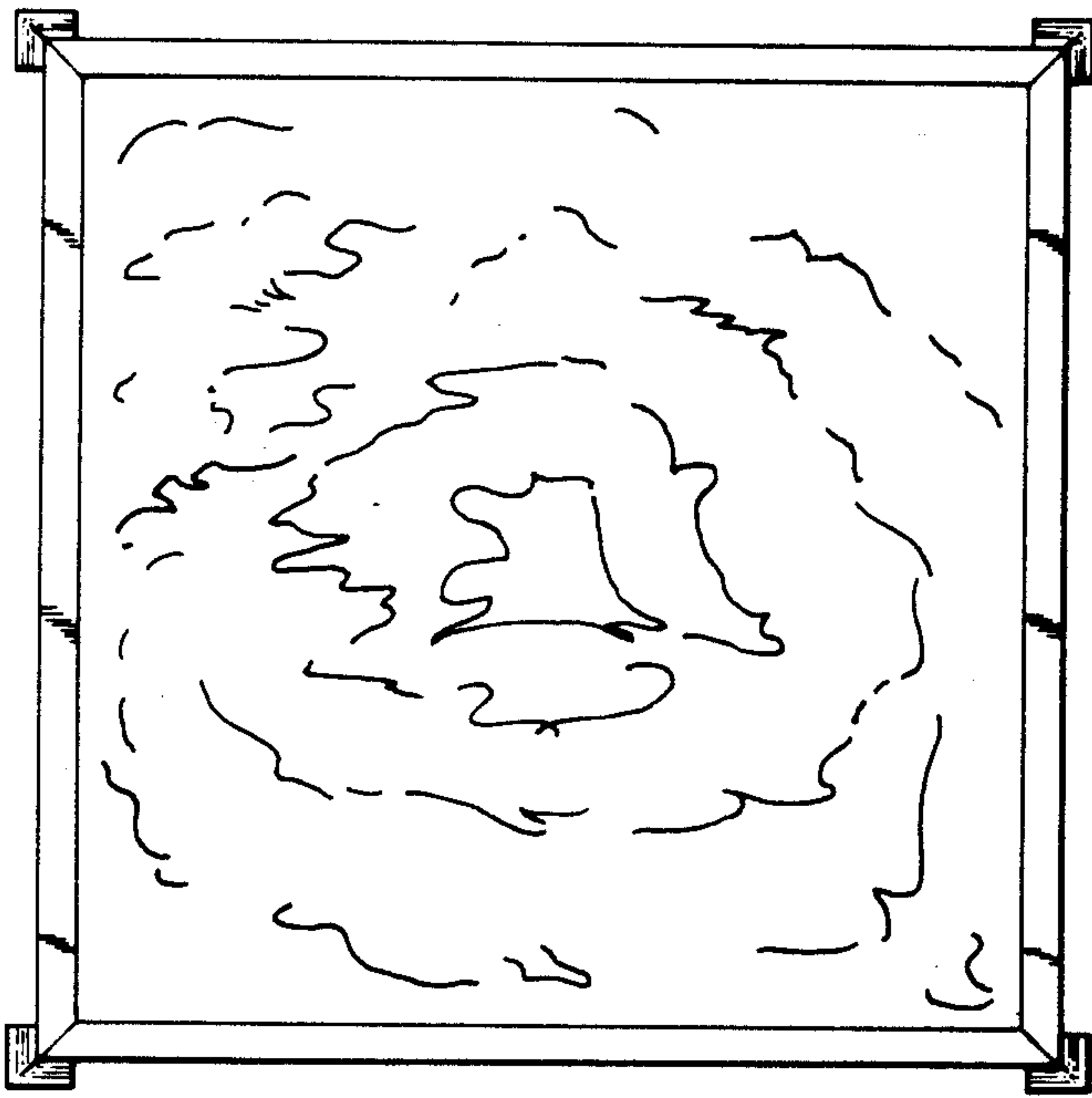


FIG. 2

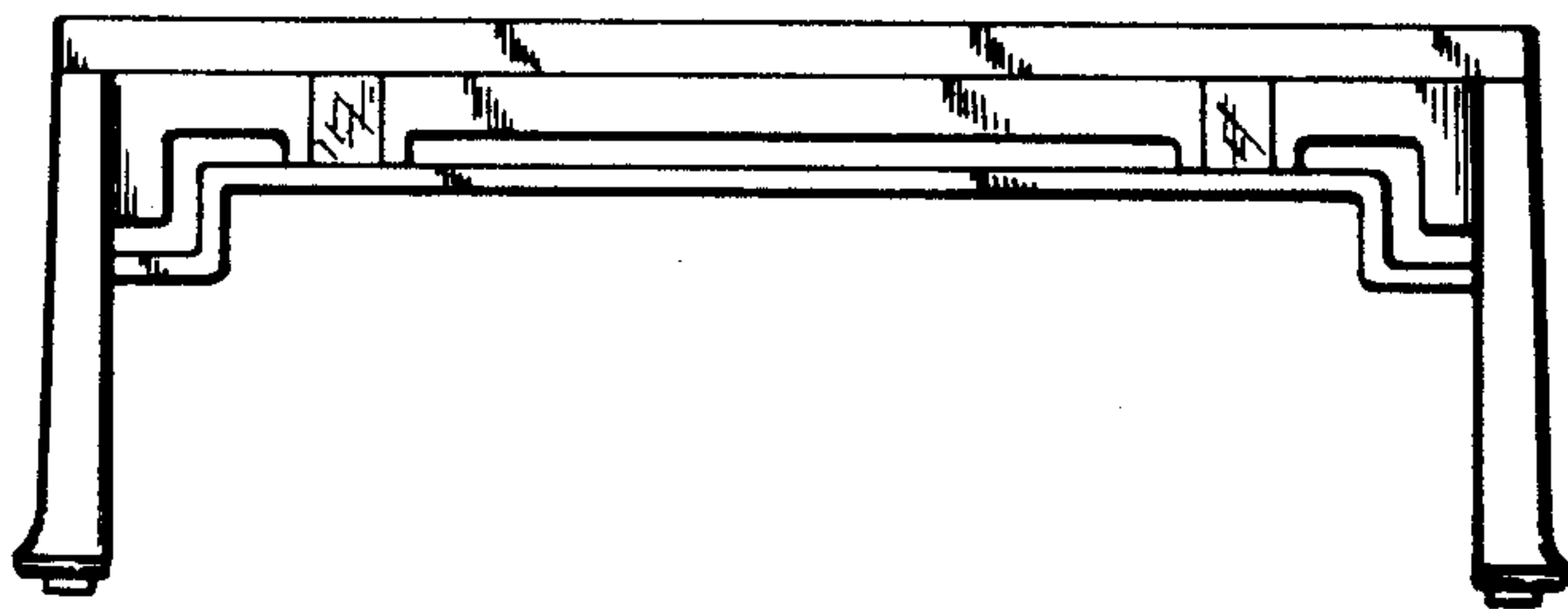


FIG. 3