

[54] **BEDSTEAD**

2,741,868 4/1956 Saunders D6/178

[76] **Inventor:** William J. Wierdo, 801 W. Oakland Park Blvd., Ft. Lauderdale, Fla. 33311

FOREIGN PATENT DOCUMENTS

542848 11/1941 United Kingdom 5/9 R

[**] **Term:** 14 Years

Primary Examiner—Joel Stearman
Assistant Examiner—Jane E. Corrigan
Attorney, Agent, or Firm—Christel, Bean & Linihan

[21] **Appl. No.:** 785,853

[57] **CLAIM**

[22] **Filed:** Apr. 8, 1977

The ornamental design for a bedstead, substantially as shown.

[51] **Int. Cl.** D6—01

[52] **U.S. Cl.** D6/84; D6/85

[58] **Field of Search** D6/5, 15, 69, 79, 84, D6/85, 178; 5/9 R

DESCRIPTION

FIG. 1 is a front top and right side perspective view of a bedstead showing my new design; FIG. 2 is a top plan view; FIG. 3 is a left side elevational view; and FIG. 4 is a front elevational view.

[56] **References Cited**

U.S. PATENT DOCUMENTS

D. 98,699 2/1936 Terker D6/69

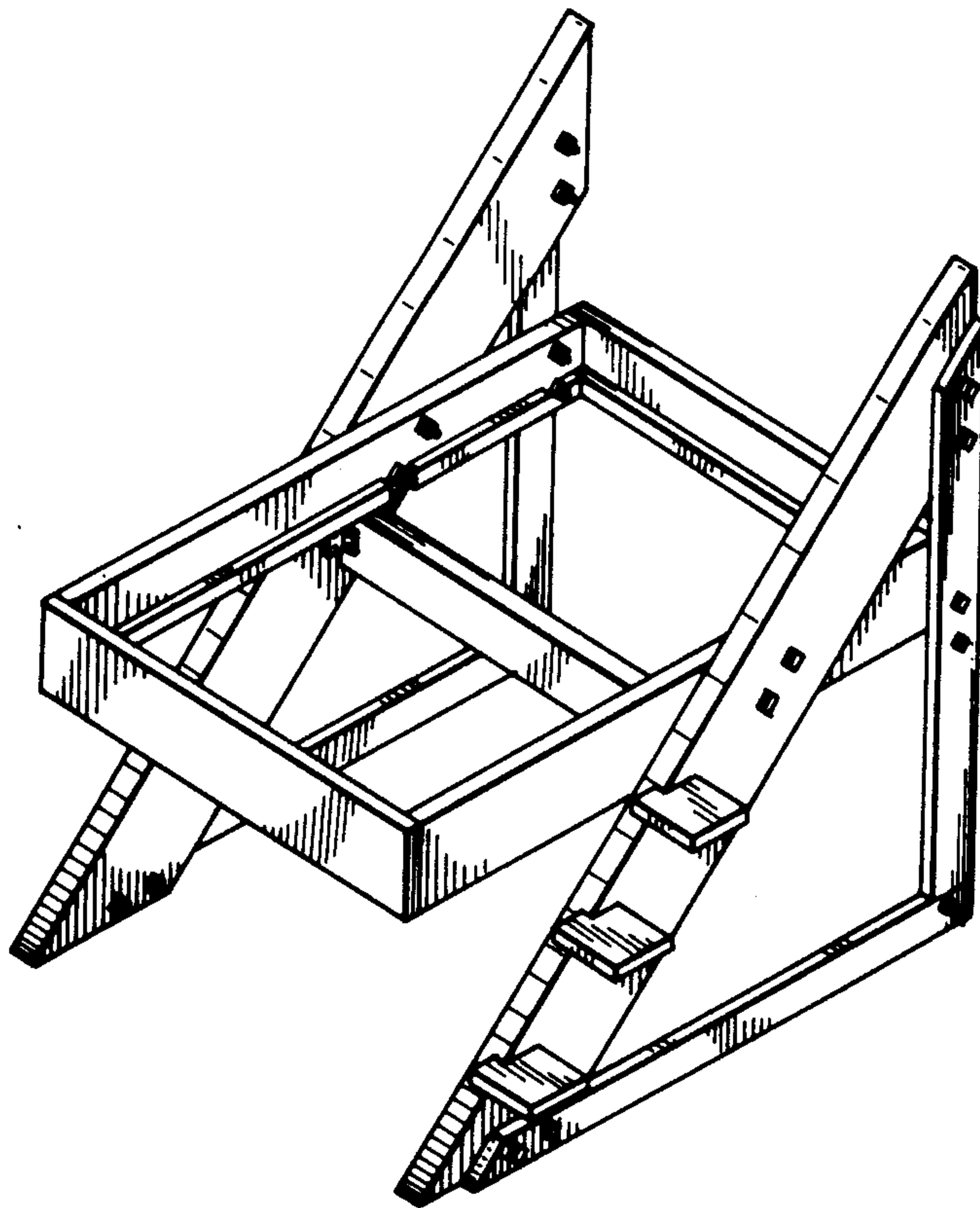


Fig. 1.

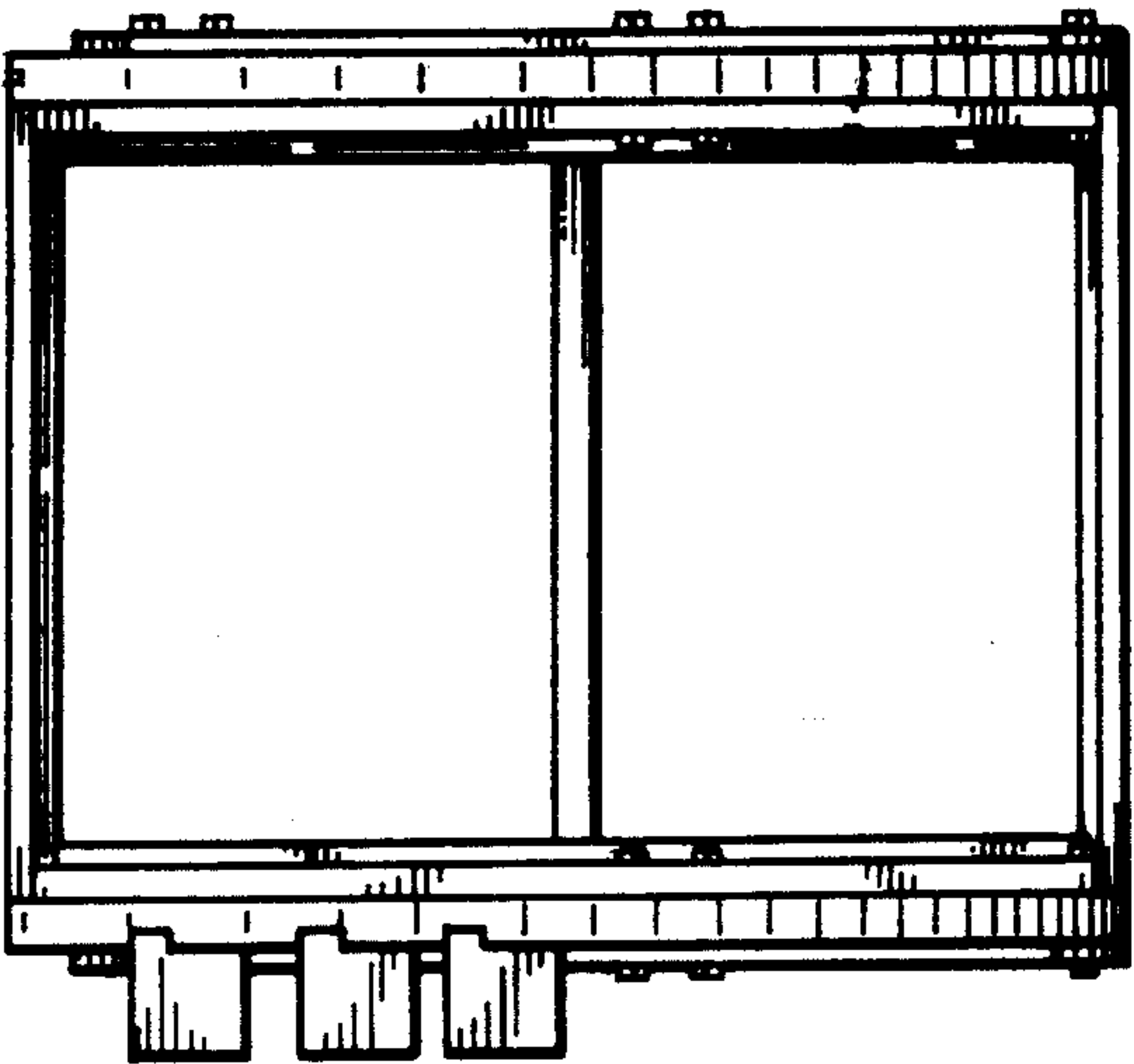
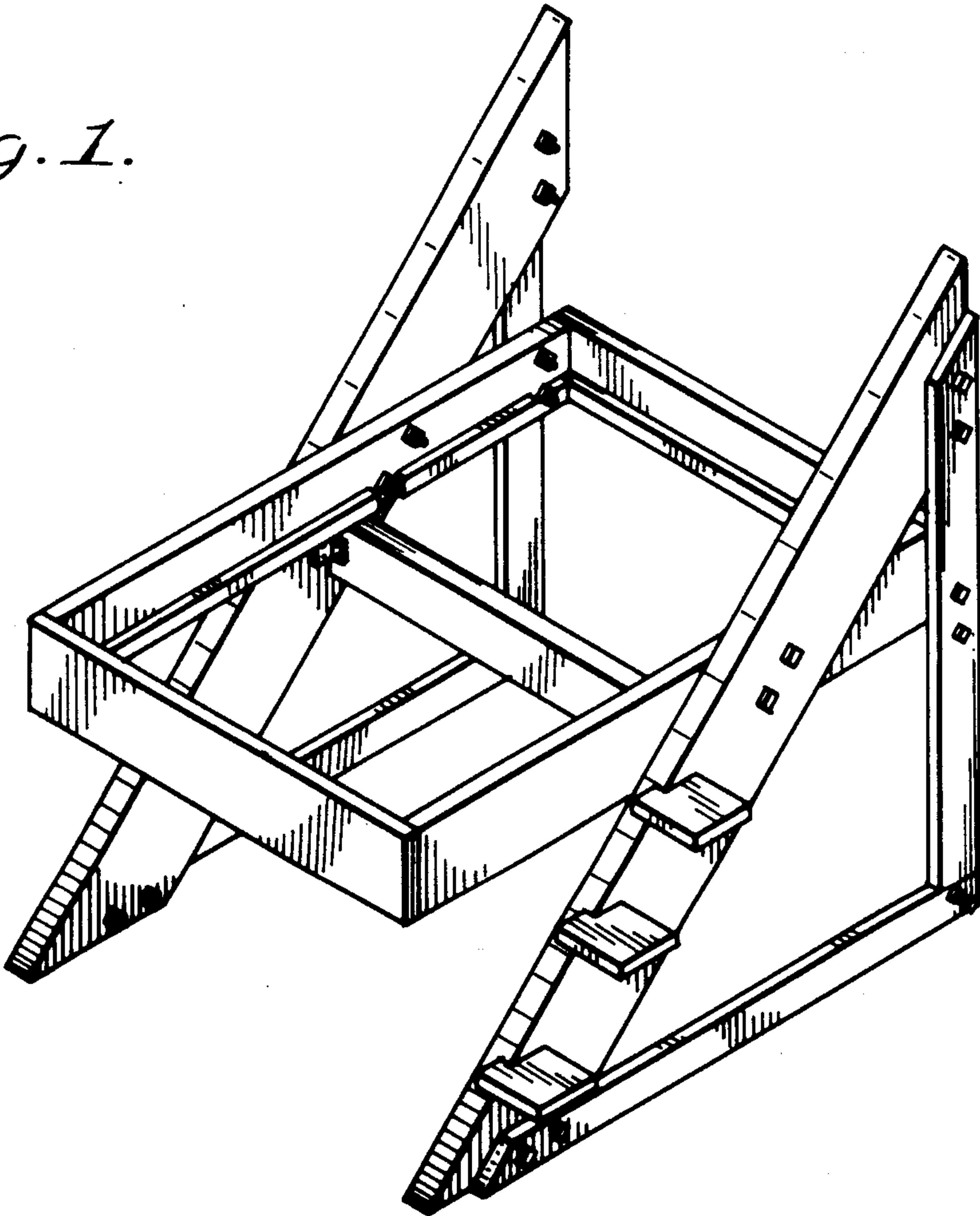


Fig. 2.

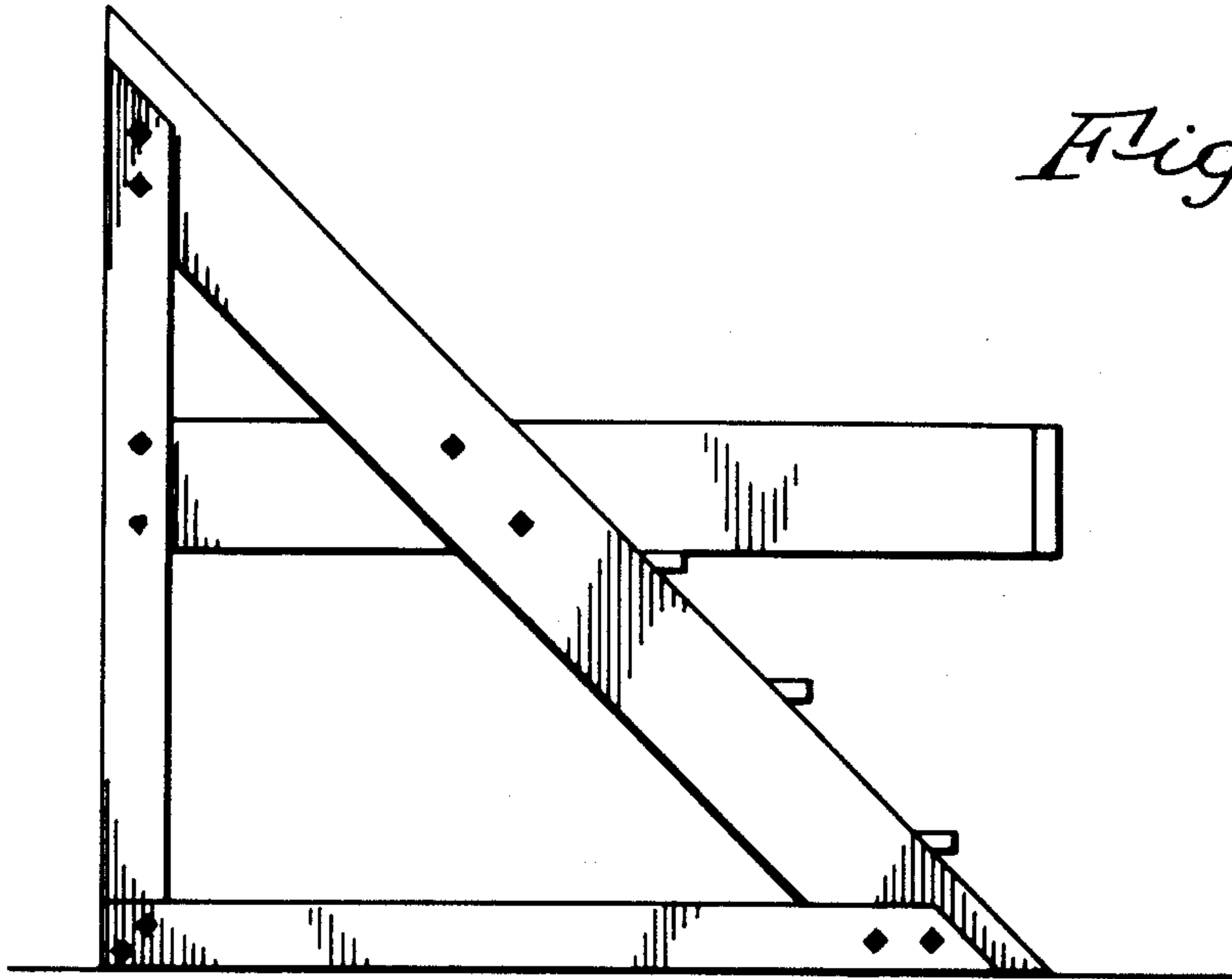


Fig. 3.

Fig. 4.

