

[54] TELEPHONE BOOTH

[76] Inventor: **Glen H. Furnell**, 10112 E. Butte, Mesa, Ariz. 85207

[**] Term: **14 Years**

[21] Appl. No.: **961,391**

[22] Filed: **Nov. 16, 1978**

[51] Int. Cl. **D25-03**

[52] U.S. Cl. **D6/25; D6/27; D6/148; D6/153; D25/16**

[58] Field of Search **D6/20, 25, 27, 130, D6/132, 136, 146-149, 151, 153, 181; D25/16; 179/183; 52/27, 28, 36**

[56] References Cited

U.S. PATENT DOCUMENTS

D. 197,215	12/1963	Dreyfuss	D6/20
D. 240,488	7/1976	Taub	D6/148
D. 248,000	5/1978	Torn et al.	D6/20

Primary Examiner—James M. Gandy

Assistant Examiner—B. J. Bullock

Attorney, Agent, or Firm—H. Gordon Shields

[57] CLAIM

The ornamental design for a telephone booth, as shown.

DESCRIPTION

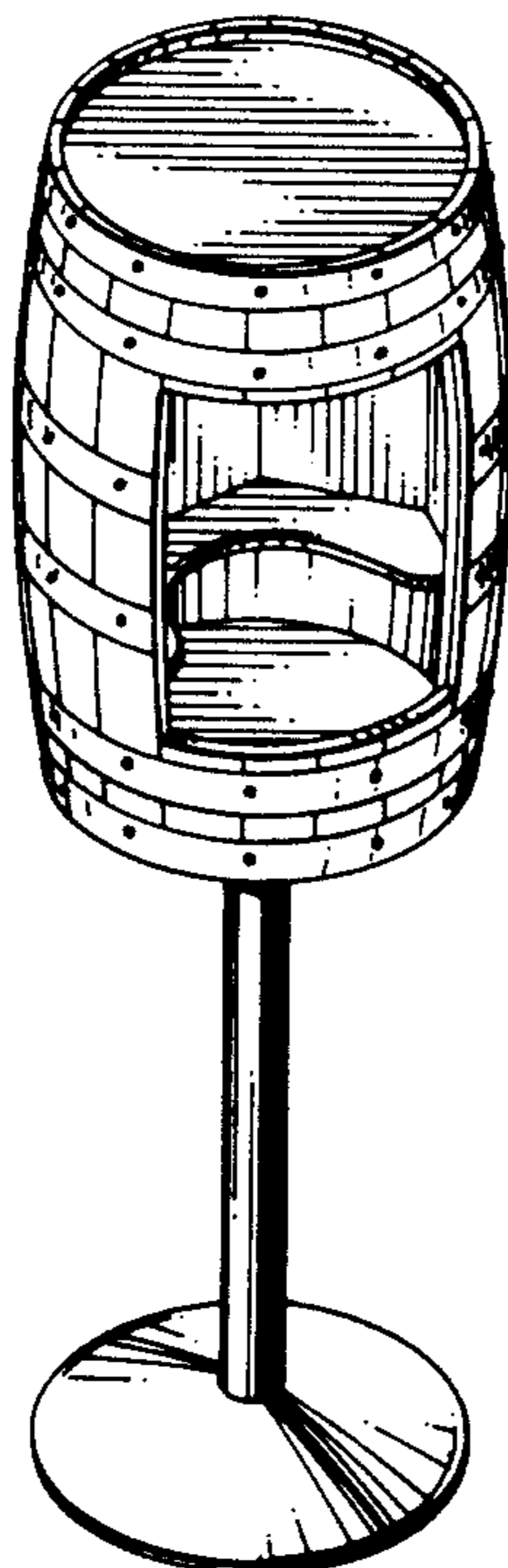
FIG. 1 is a top perspective view of a telephone booth showing my new design;

FIG. 2 is a reduced bottom perspective view thereof;

FIG. 3 is a front elevational view shown broken away for ease of illustration;

FIG. 4 is a top view thereof;

FIG. 5 is a sectional view taken in the direction of the arrows on line 5-5 of FIG. 3.



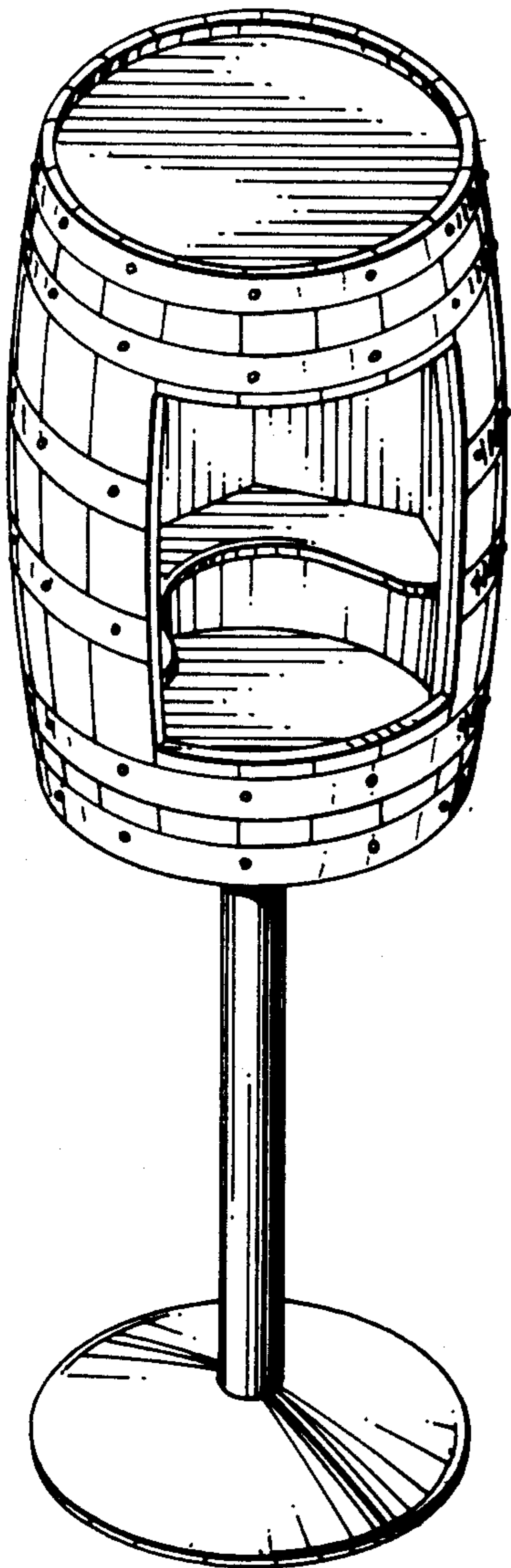


FIG. 1

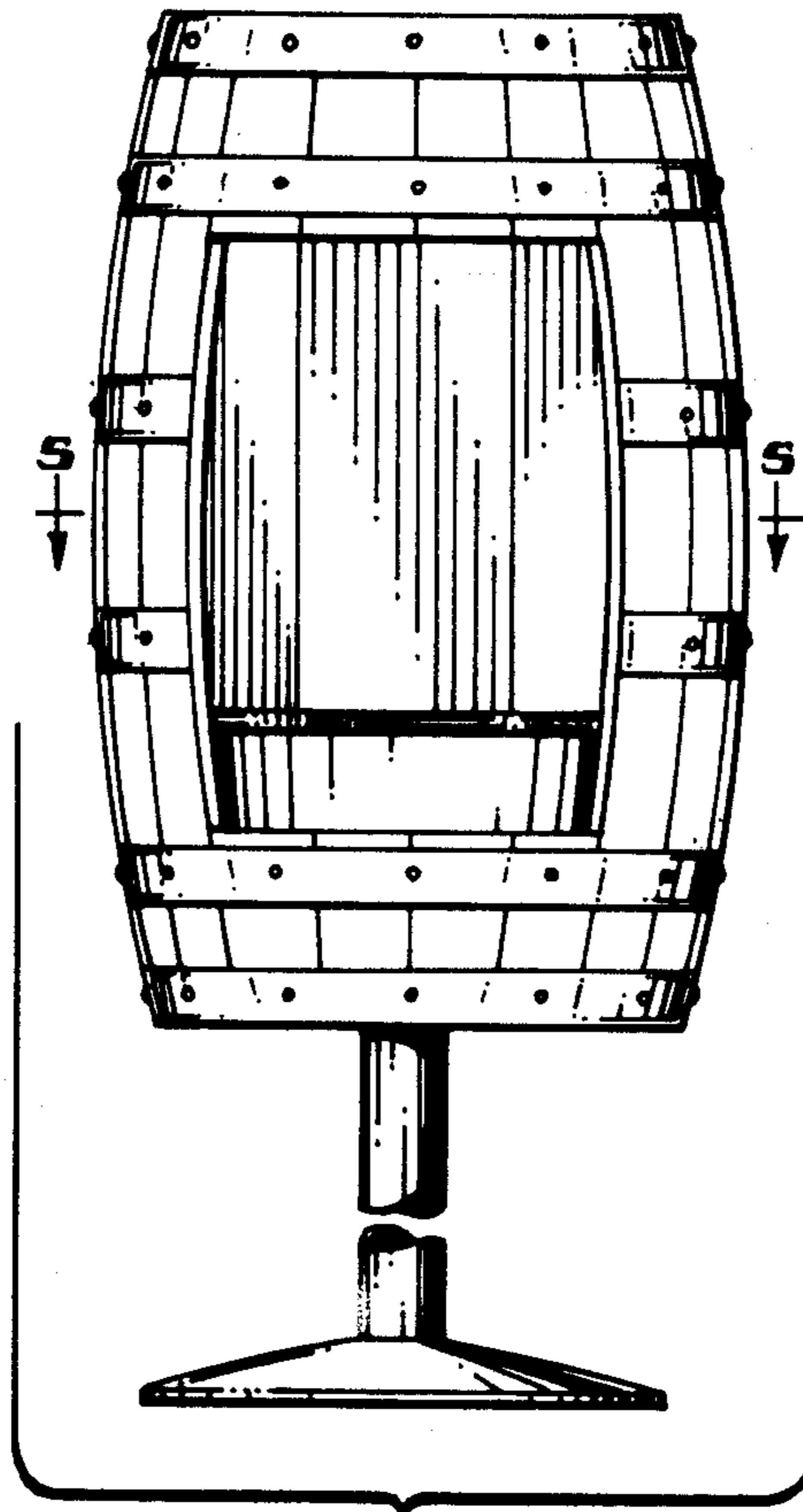


FIG. 3

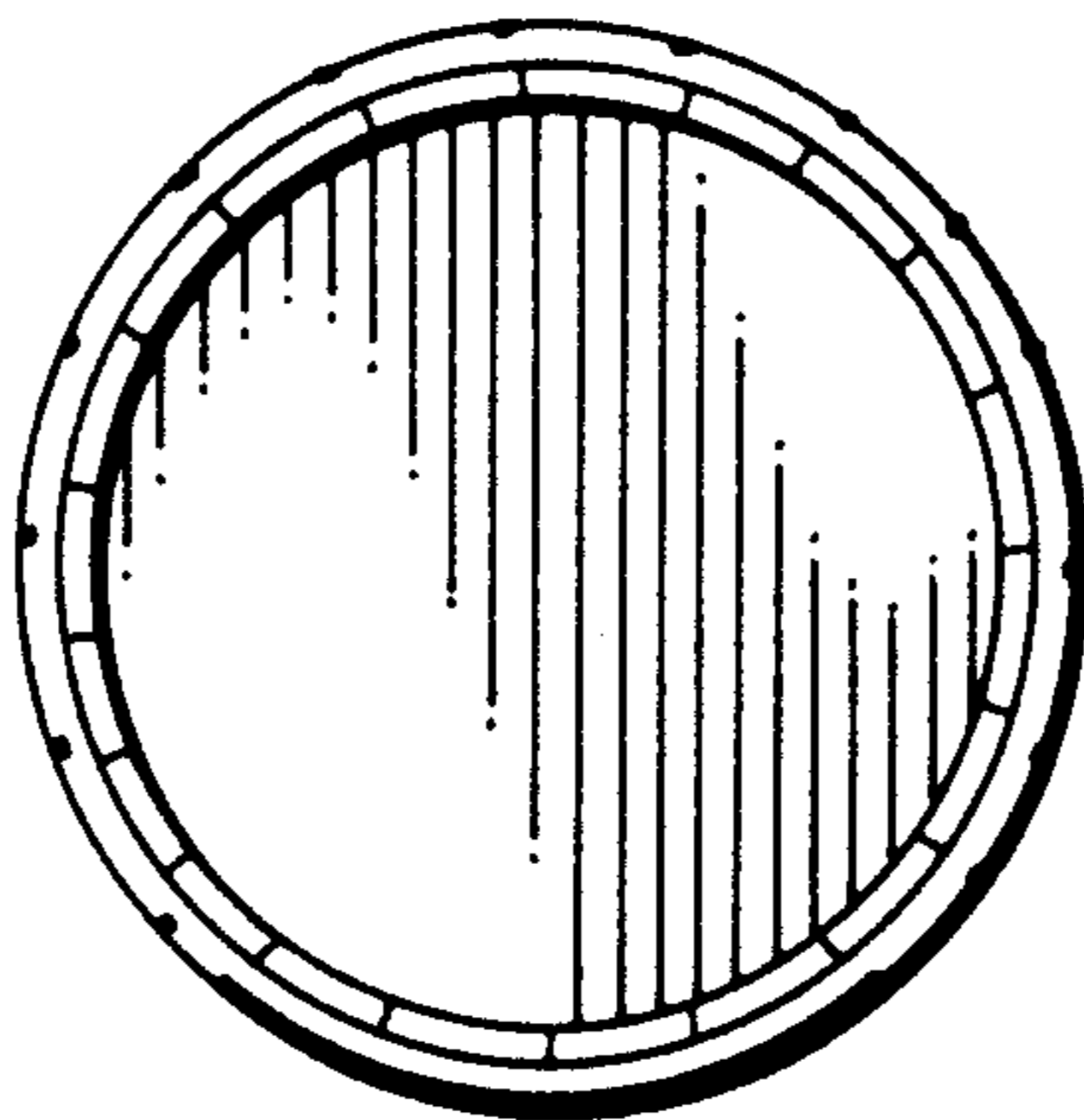


FIG. 4

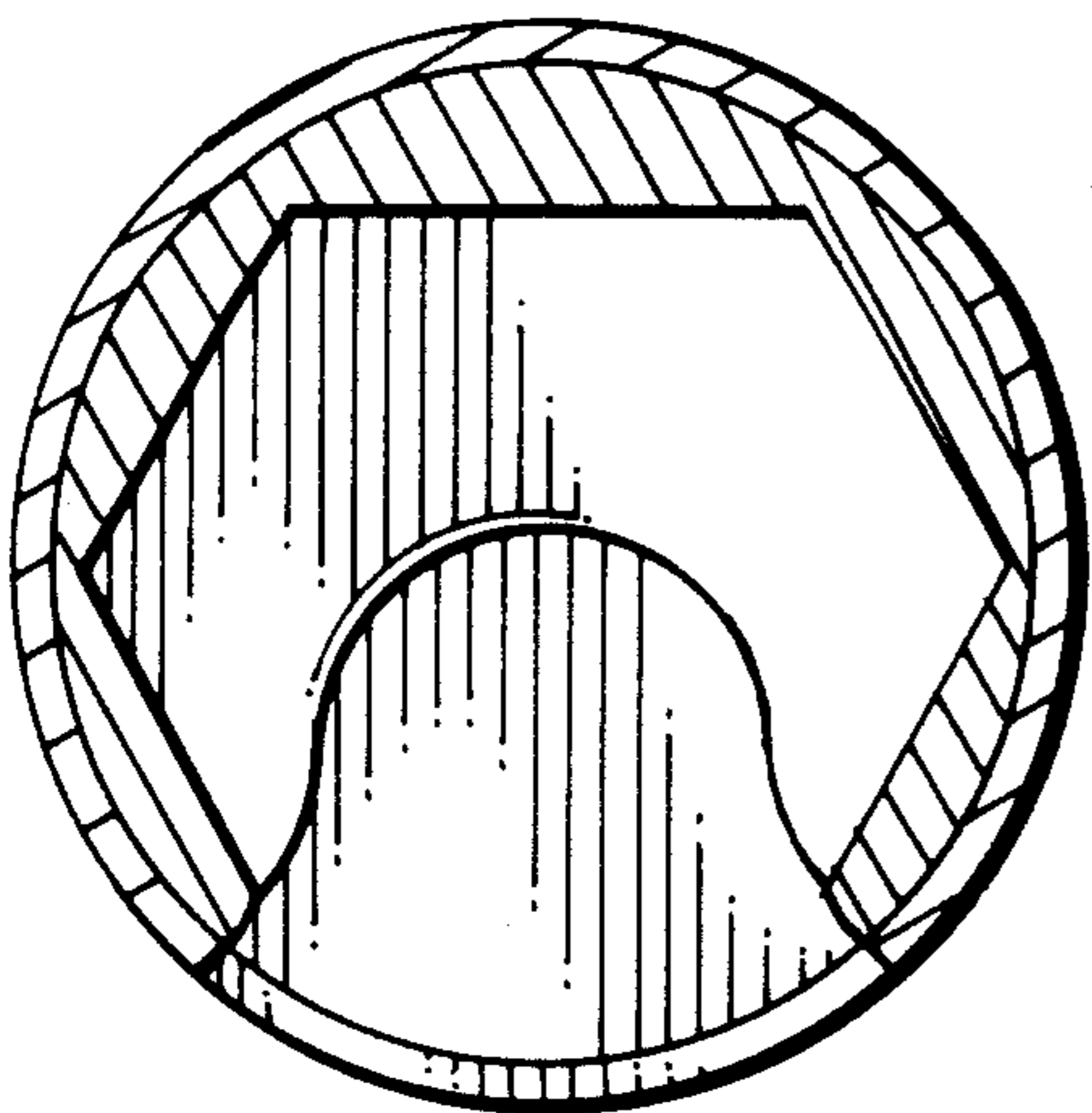


FIG. 5

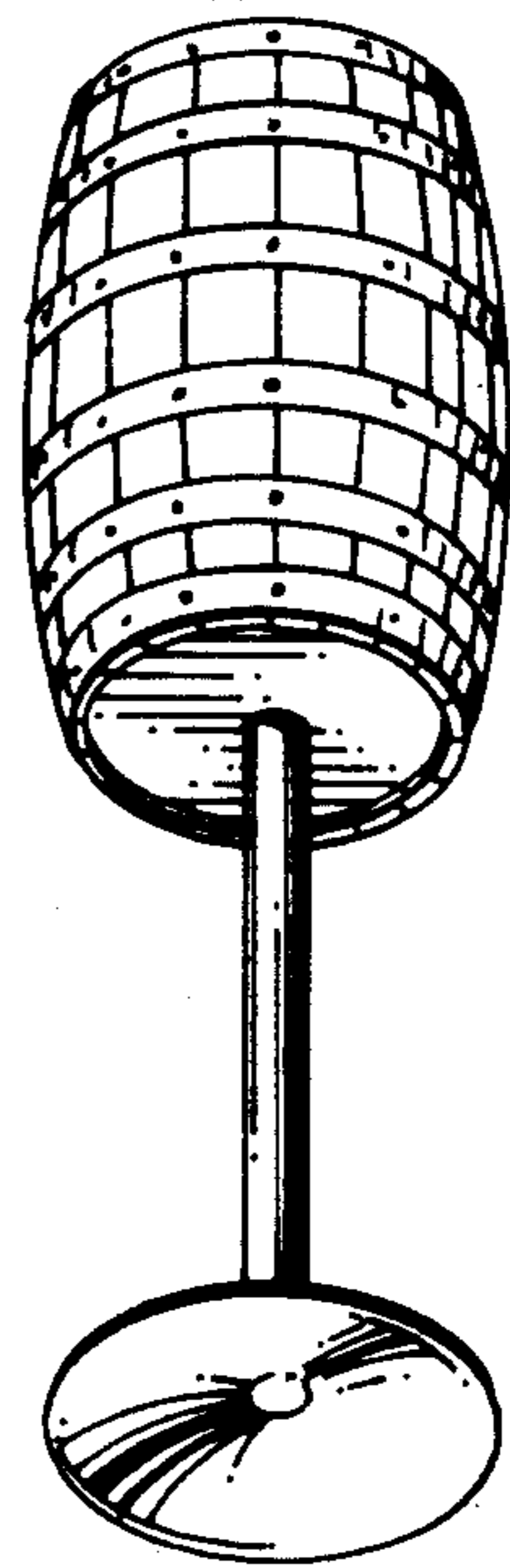


FIG. 2