

[54] COMPARTMENTED TRAY FOR STORING COSMETICS AND THE LIKE

[76] Inventor: Frank S. Salacuse, 710 Park Ave., New York, N.Y. 10021

[\*\*] Term: 14 Years

[21] Appl. No.: 4,423

[22] Filed: Jan. 18, 1978

[51] Int. Cl. .... D28-03

[52] U.S. Cl. .... D3/39; D3/69; D28/73

[58] Field of Search ..... D28/9, 61, 73, 76, 77, D28/68; D3/30, 67, 69, 74; D24/31; D7/71; D9/184, 185, 187, 188; 132/1 R, 79 R; 206/557, 558

[56] References Cited

U.S. PATENT DOCUMENTS

D. 234,727 4/1975 Mark ..... D3/39

D. 252,409 7/1979 Rose ..... D28/73 X

OTHER PUBLICATIONS

*Beauty Fashion*, Feb./Mar. 1976, p. 108—Helena Rubinstein Makeup Caddy at bottom right.

Primary Examiner—Louis S. Zarfes  
Attorney, Agent, or Firm—Alan H. Levine

[57] CLAIM

The ornamental design for a compartmented tray for storing cosmetics and the like, substantially as shown and described.

DESCRIPTION

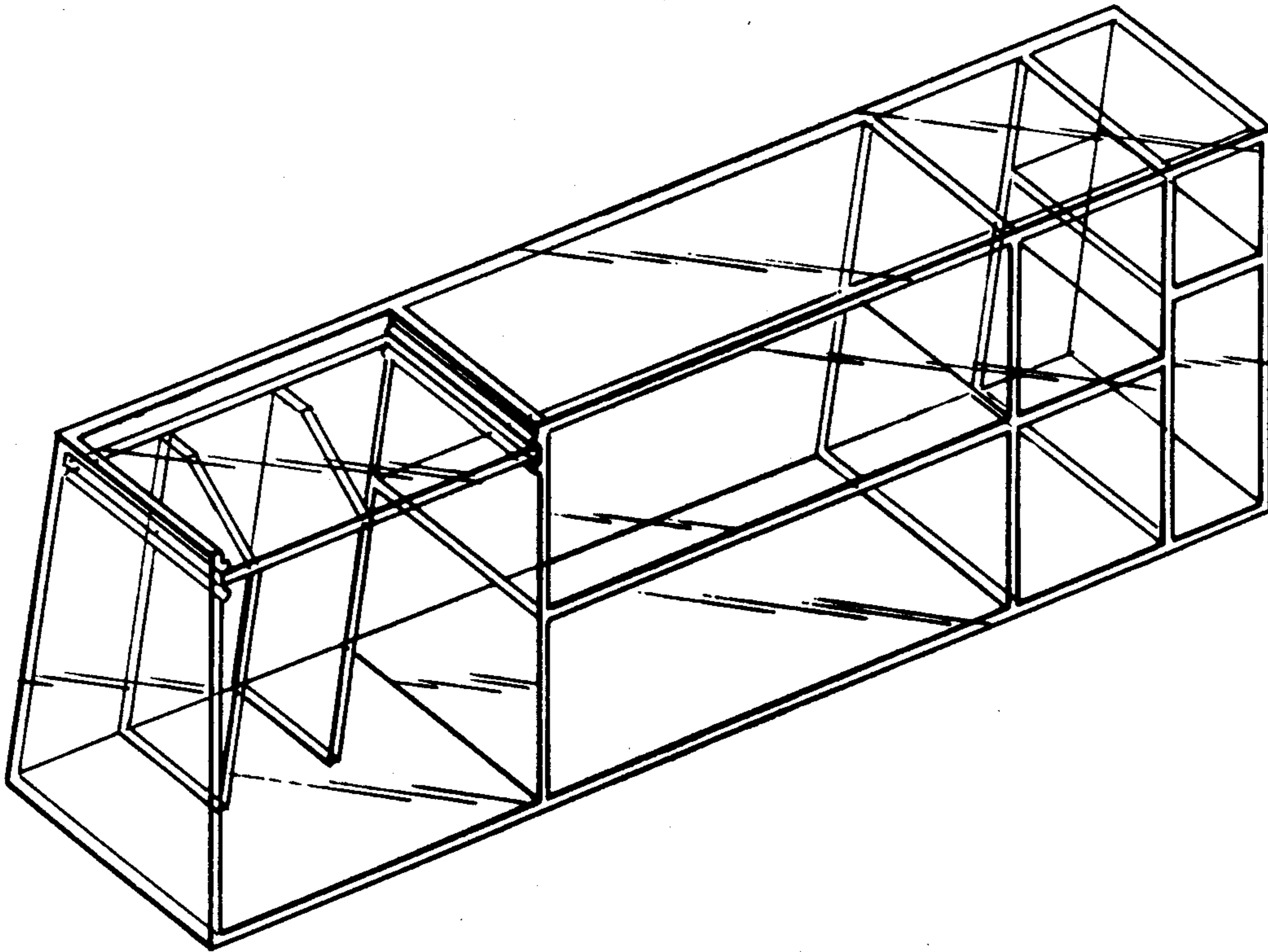
FIG. 1 is a right side and top perspective view of a compartmented tray for storing cosmetics and the like showing my new design;

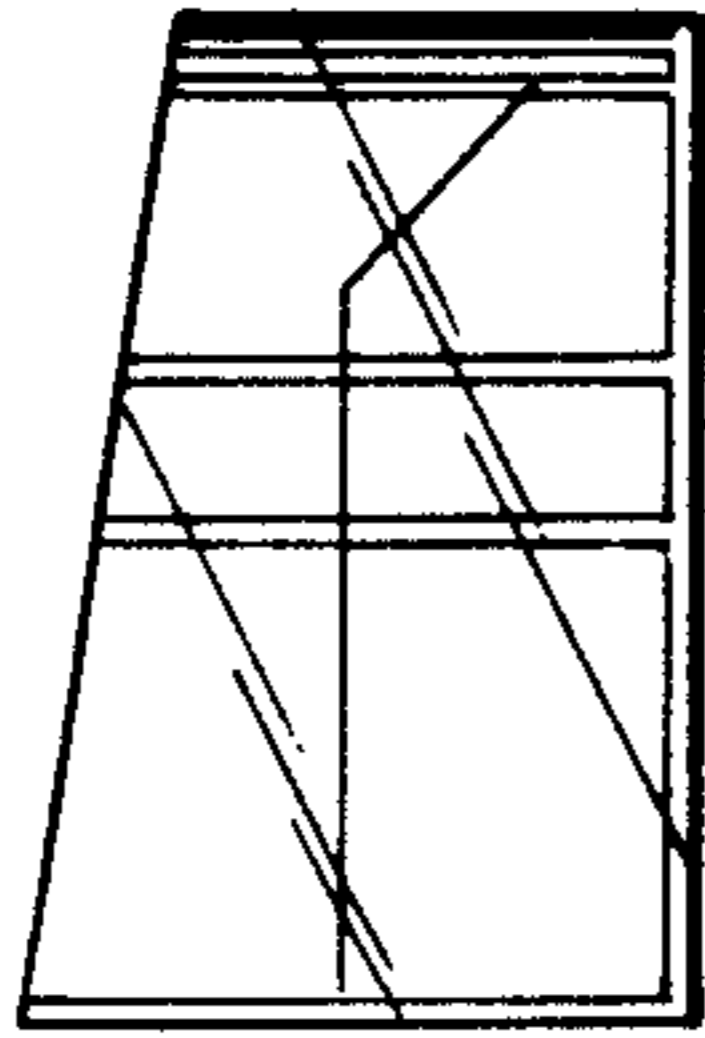
FIG. 2 is a left side elevational view thereof;

FIG. 3 is a rear elevational view thereof;

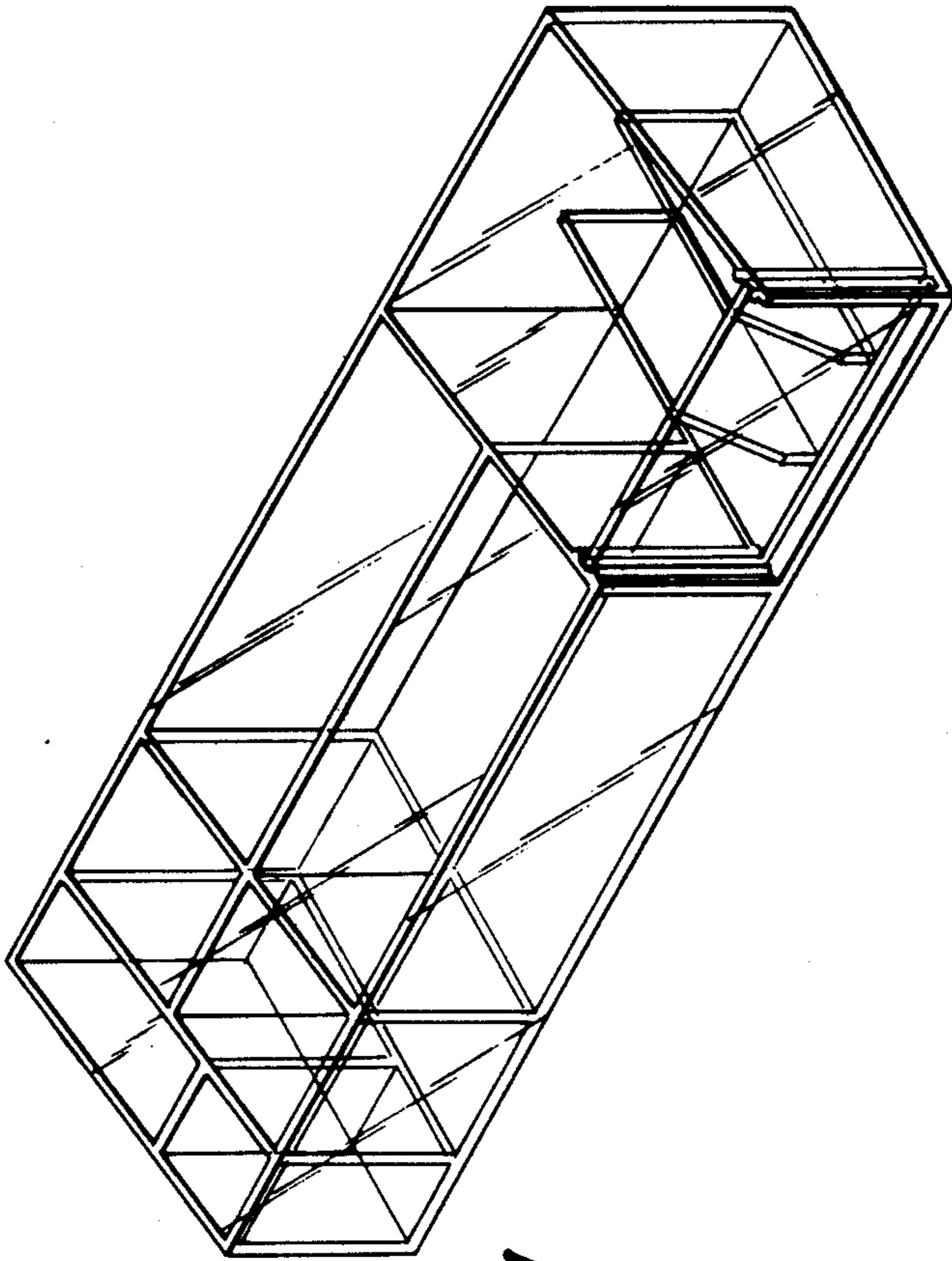
FIG. 4 is a bottom view thereof; and

FIG. 5 is a right side and top perspective view of the tray with the partition in alternate position.

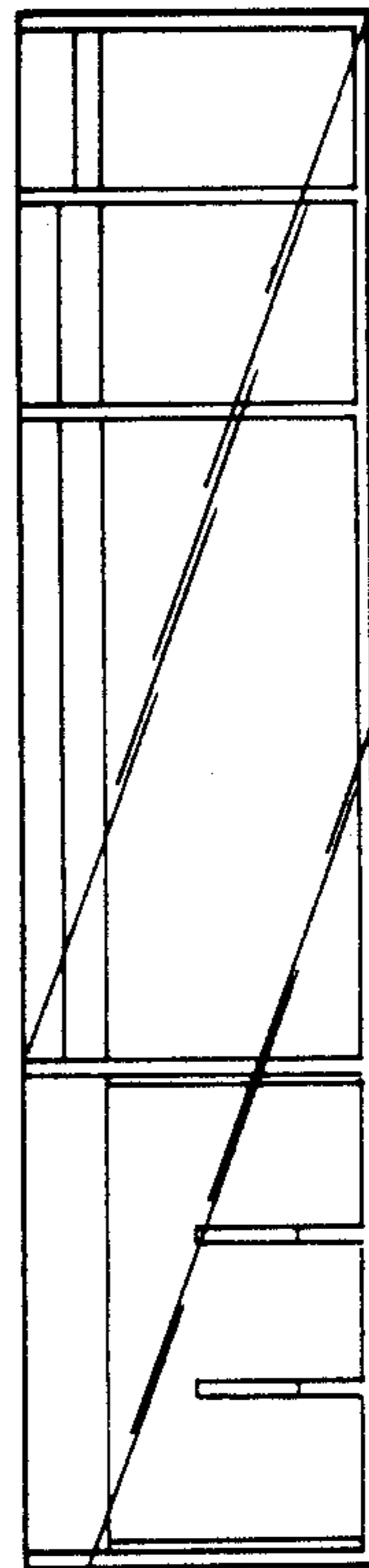




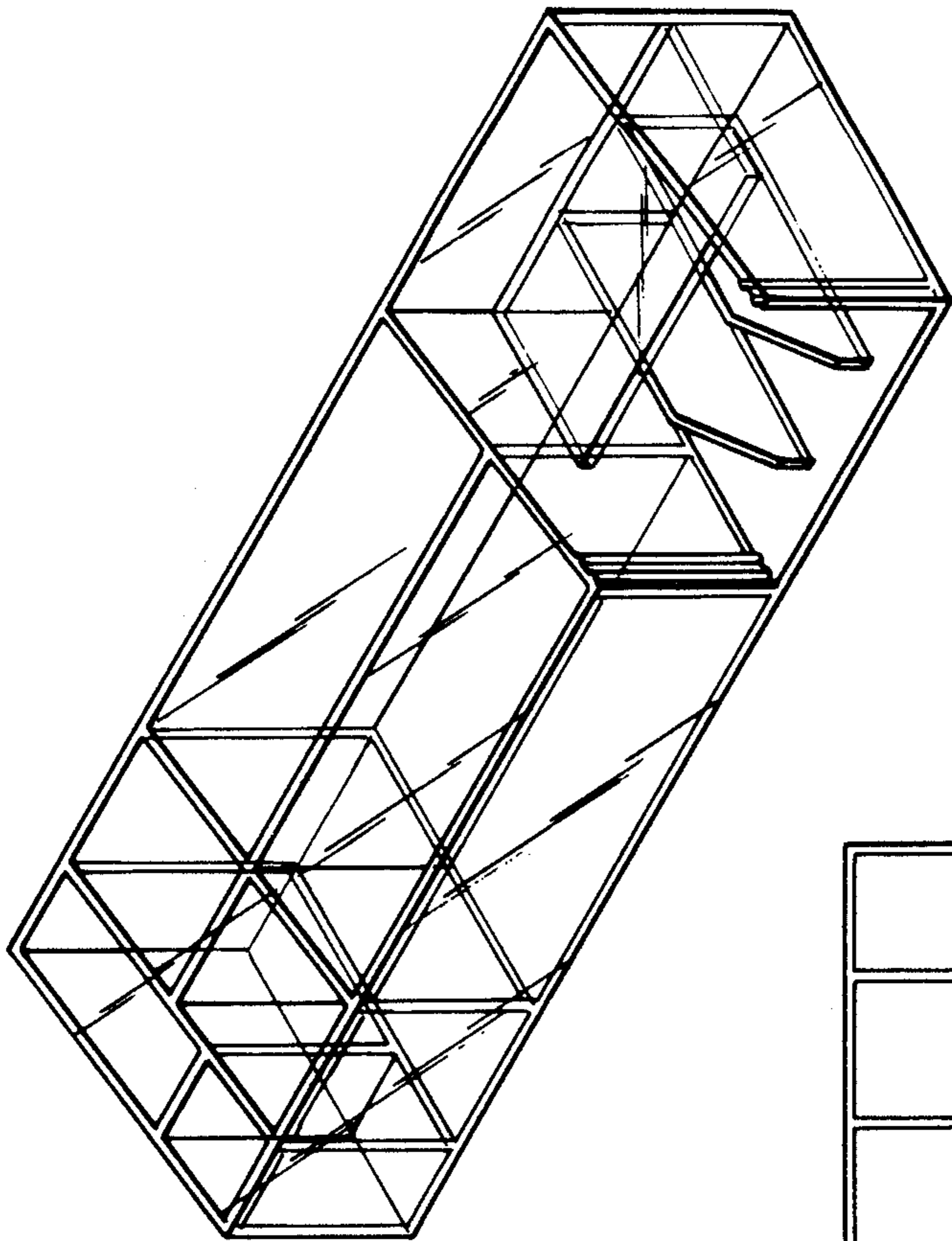
**FIG. 2**



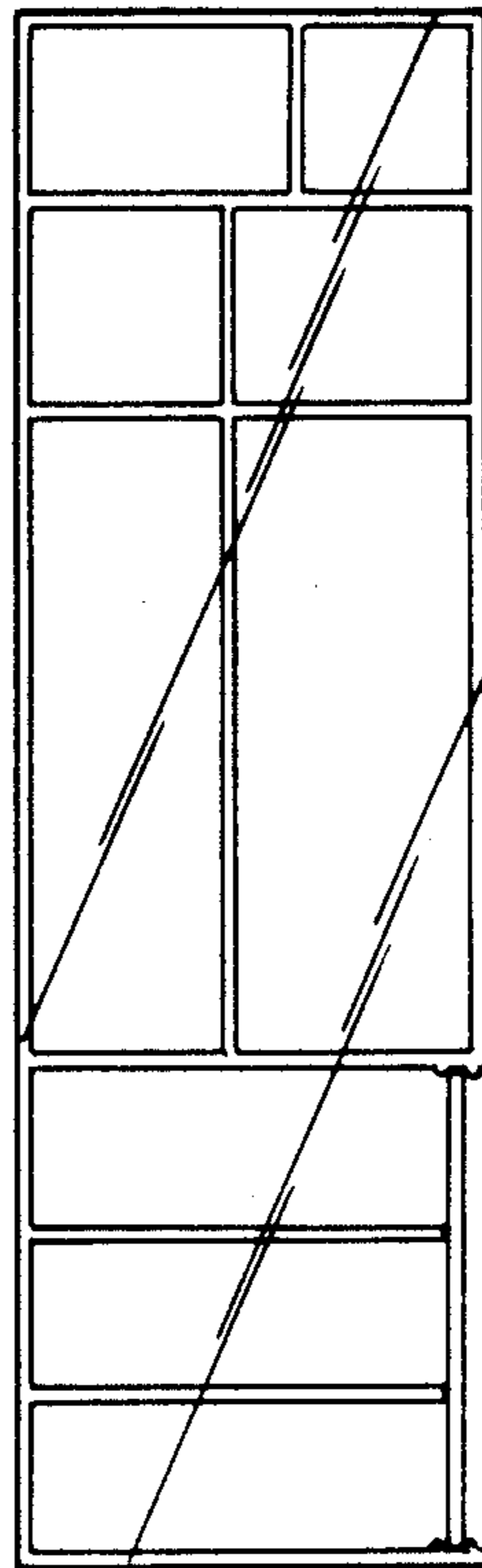
**FIG. 1**



**FIG. 3**



**FIG. 5**



**FIG. 4**