

[54] LAMP

[56]

References Cited

PUBLICATIONS

[76] Inventor: Charles Campo, 1901 S. Fifth St., Philadelphia, Pa. 19148

Brecks of Boston Gift Catalog, 9-1970, p. 31, "Lava Light" Lamp.

Primary Examiner—Susan J. Lucas  
Attorney, Agent, or Firm—Morton J. Rosenberg

[\*\*] Term: 14 Years

[57]

CLAIM

The ornamental design for a lamp, as shown and described.

[21] Appl. No.: 919,399

DESCRIPTION

[22] Filed: Jun. 26, 1978

FIG. 1 is a frontal perspective view showing my new design;

FIG. 2 is a top view thereof;

FIG. 3 is a frontal view thereof;

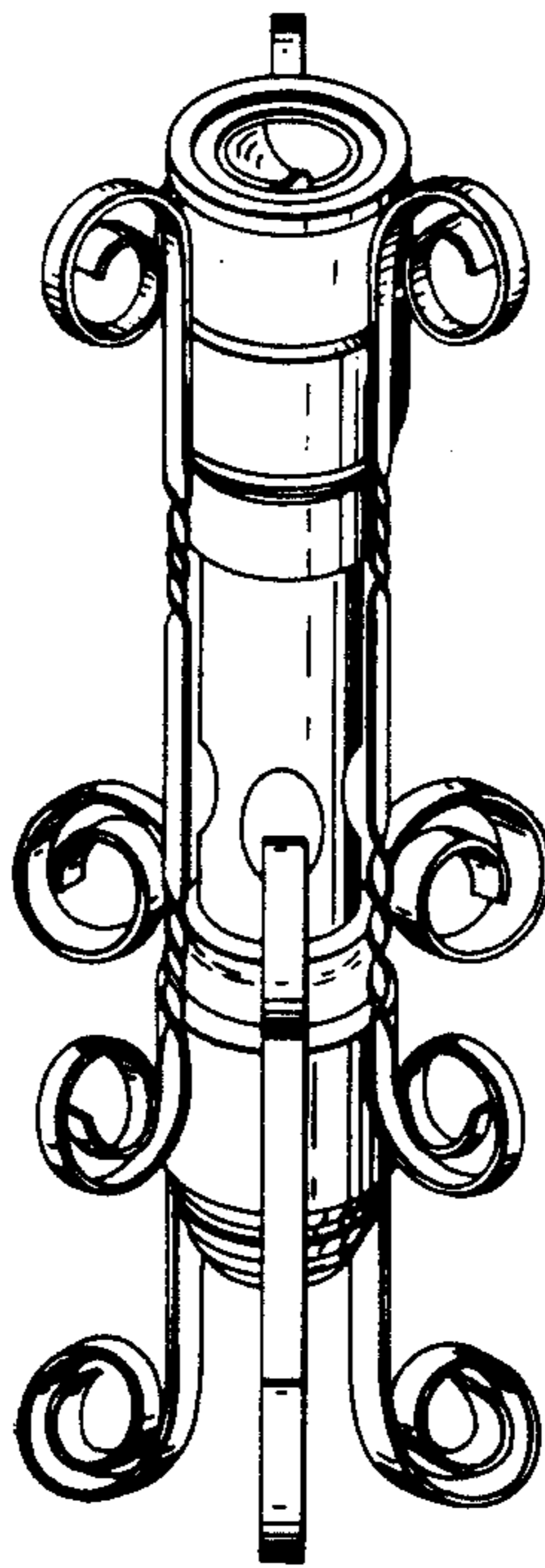
FIG. 4 is a frontal view rotated 45° about a vertical axis when taken with respect to the frontal view of FIG. 3; and,

FIG. 5 is a bottom view thereof.

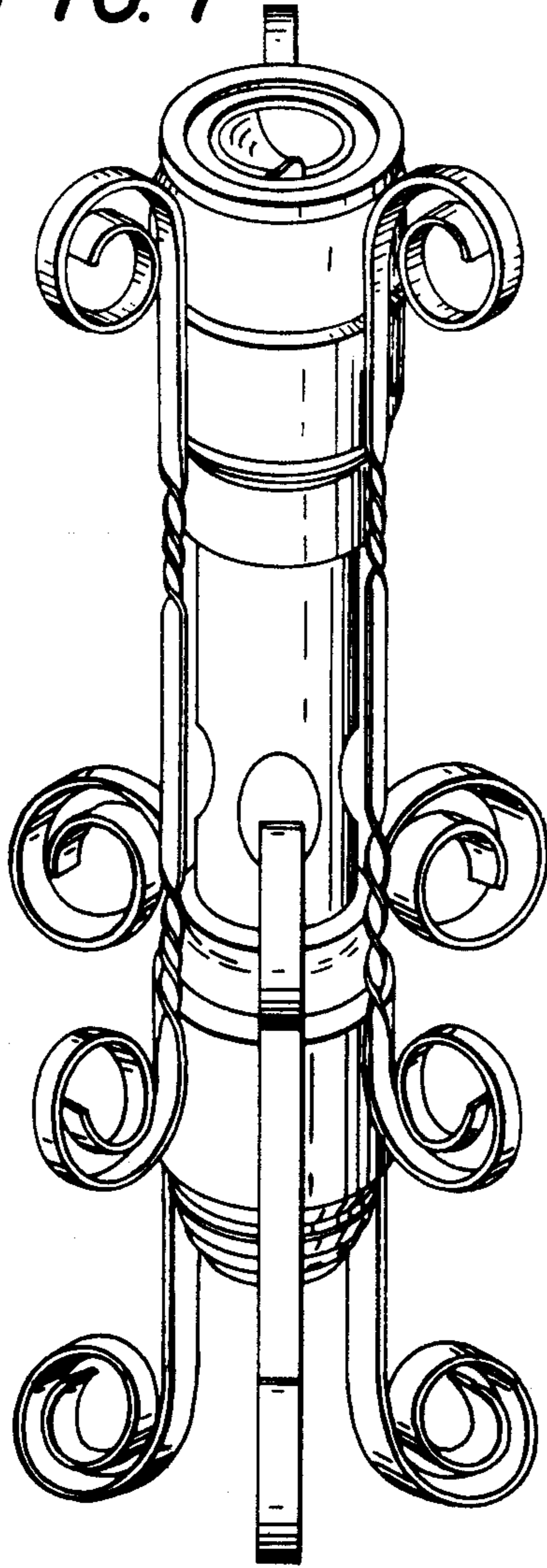
[51] Int. Cl. .... D26—05

[52] U.S. Cl. .... D26/104; D26/112

[58] Field of Search ..... D48/20 C, 20 E, 20 R,  
D48/20 A, 2; 362/410, 412, 806

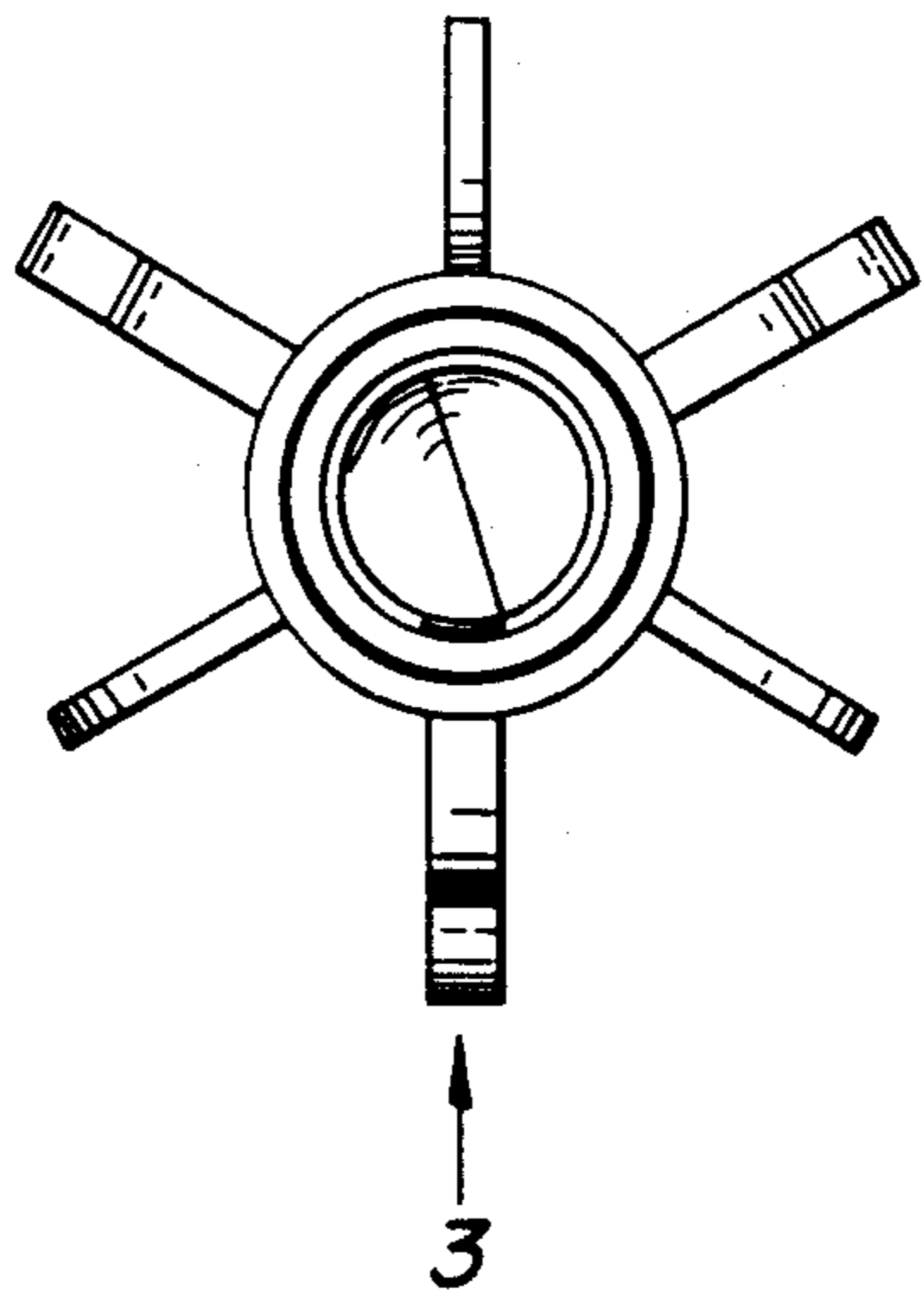


**FIG. 1**

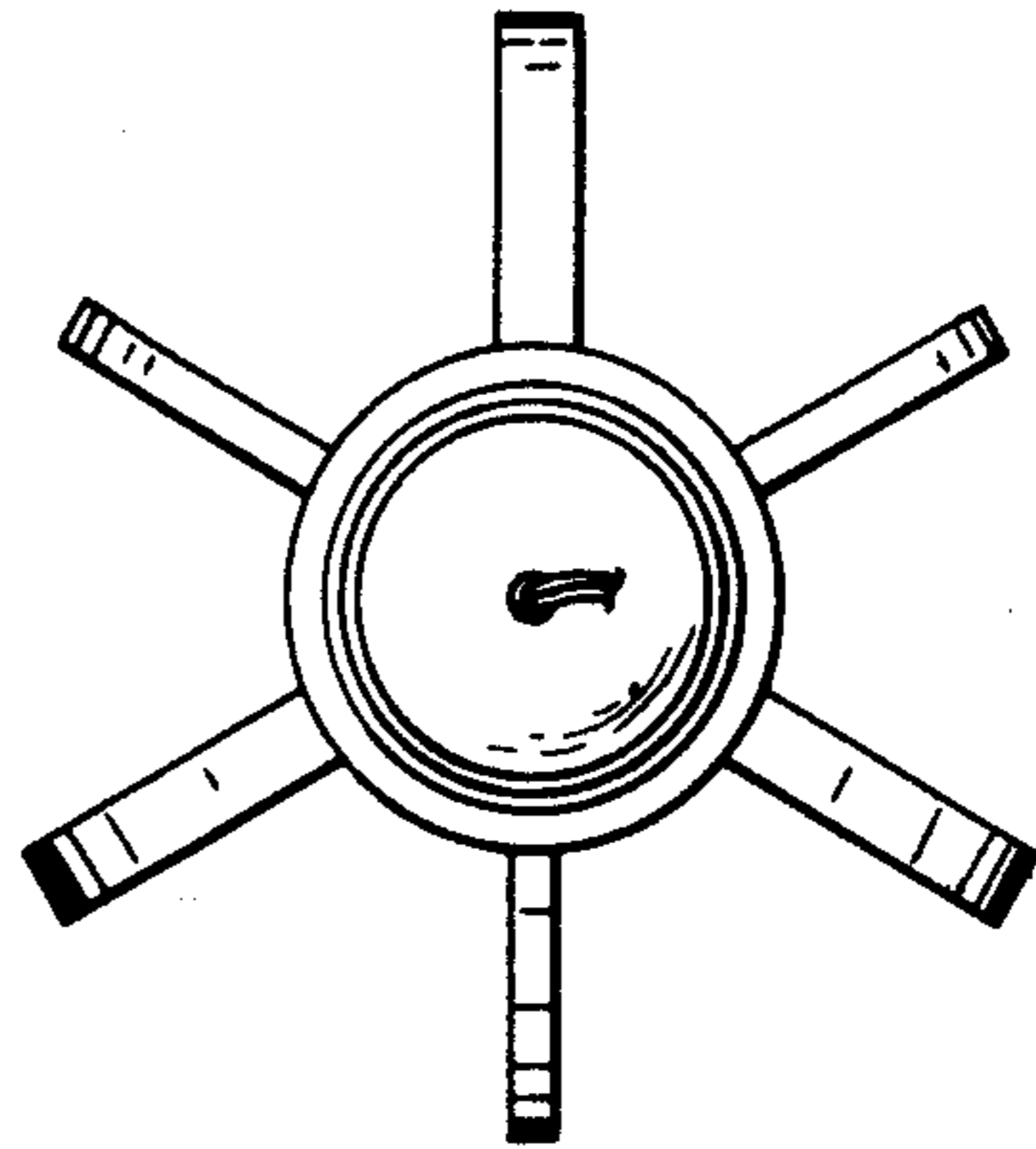


4

**FIG. 2**

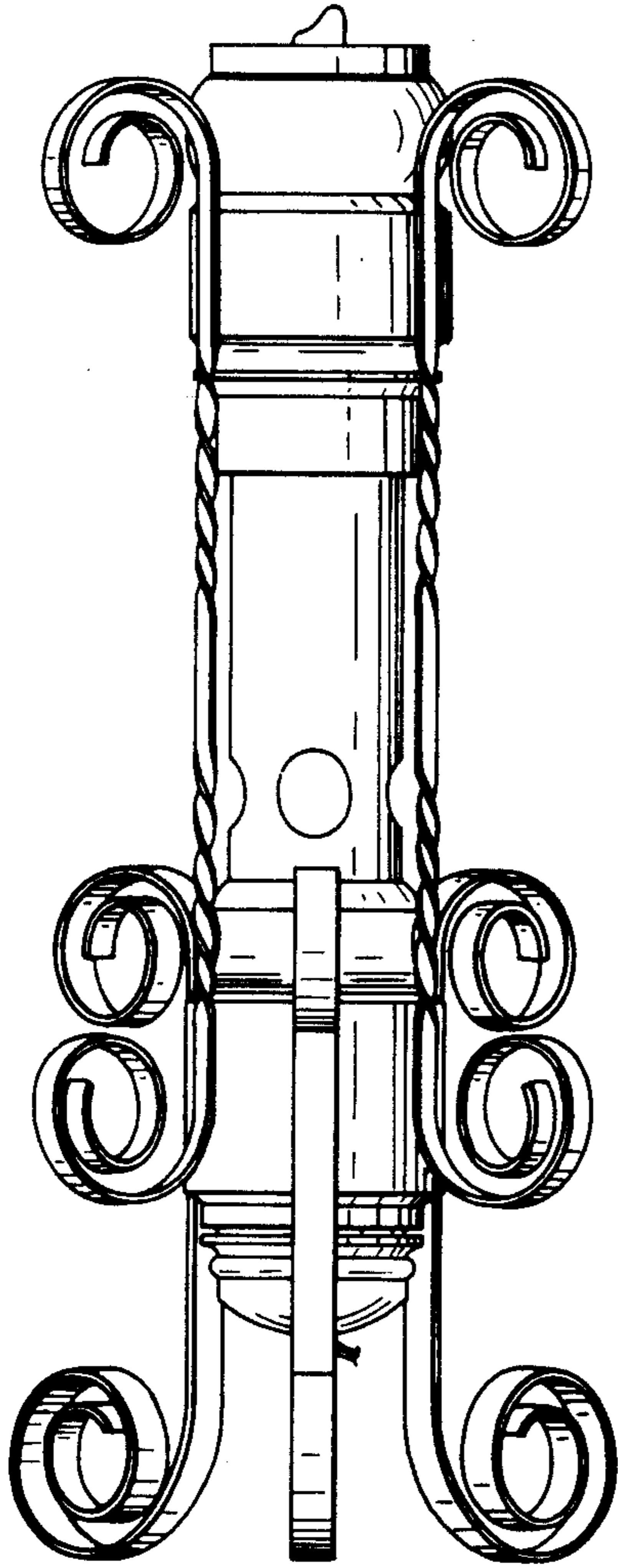


3



**FIG. 5**

**FIG. 3**



**FIG. 4**

