

[54] ASH TRAY

2,790,447 4/1957 Simpson 131/235 R

[75] Inventor: William Macowski, Caldwell, N.J.

OTHER PUBLICATIONS

[73] Assignee: Ketcham & McDougall, Inc.,
Roseland, N.J.

Interiors, Mar. 1974, p. 114—Item #15, Onyx Ash Trays.

[**] Term: 14 Years

Primary Examiner—Catherine E. Kemper
Attorney, Agent, or Firm—Edwin E. Greigg

[21] Appl. No.: 907,384

[57] CLAIM

[22] Filed: May 18, 1978

The ornamental design for an ash tray, as shown.

[51] Int. Cl. D27—03

DESCRIPTION

[52] U.S. Cl. D27/29

FIG. 1 is a front, top and right side perspective view of
an ash tray showing my new design;

[58] Field of Search D27/8-29;

FIG. 2 is a top plan view thereof;

131/231, 238, 240, 241, 242, 257; D20/15;

FIG. 3 is a front elevational view thereof;

D19/95

FIG. 4 is a rear elevational view thereof;

FIG. 5 is a left side elevational view thereof.

[56] References Cited

U.S. PATENT DOCUMENTS

The characteristic feature of my new design resides in
the radial plateau off-standing from the curved interior
of the ash tray and extending from the center to the rim
thereof, which plateau is provided with an elongated
rectangular trim plate, as more particularly shown in
FIG. 1 of the drawings.

D. 142,425	9/1945	Klyce	D27/29
D. 154,977	8/1949	Bass	D27/28
D. 173,249	10/1954	Woofter	D27/22
2,301,132	11/1942	McDonald	131/242

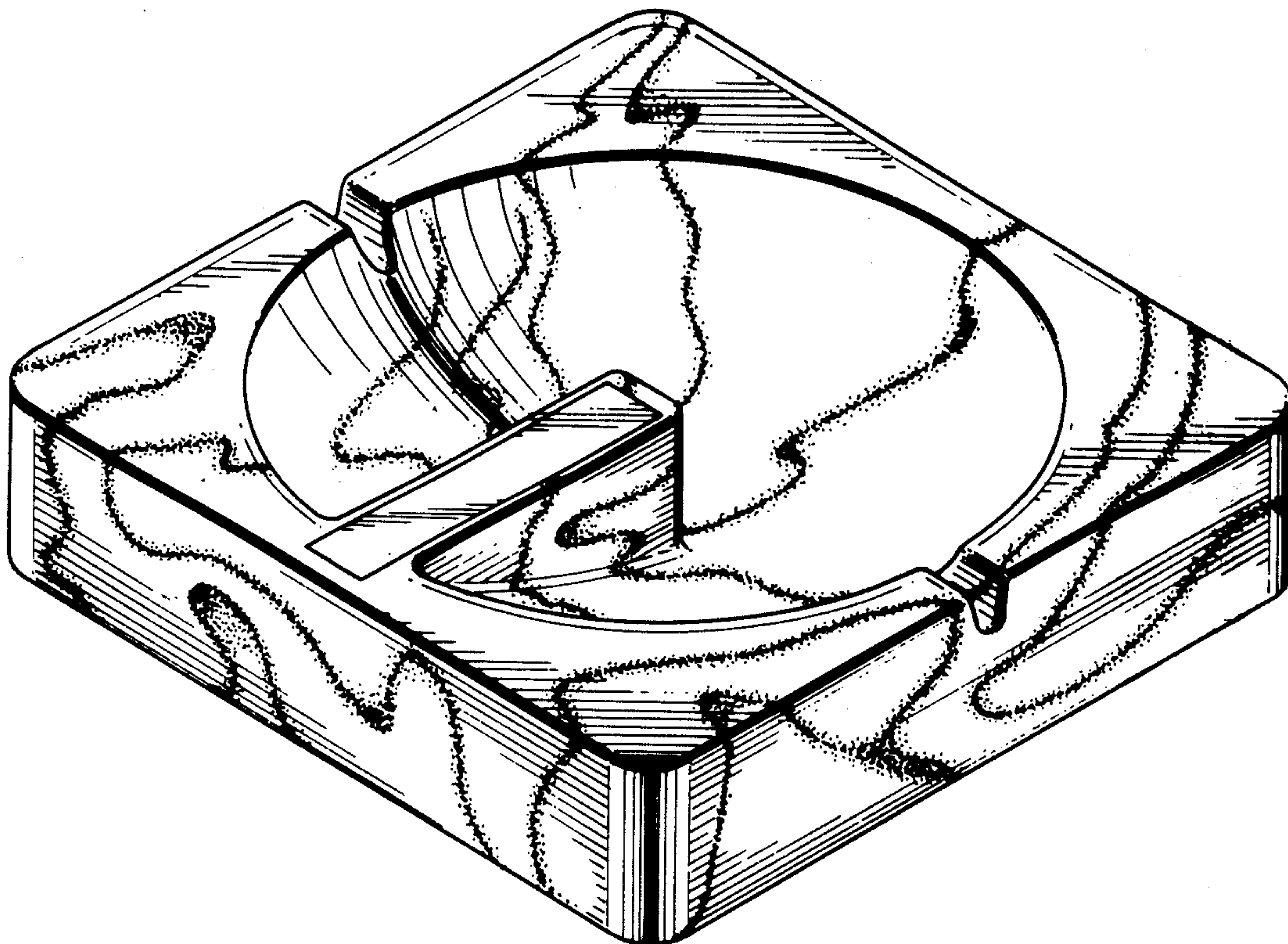


FIG. 1

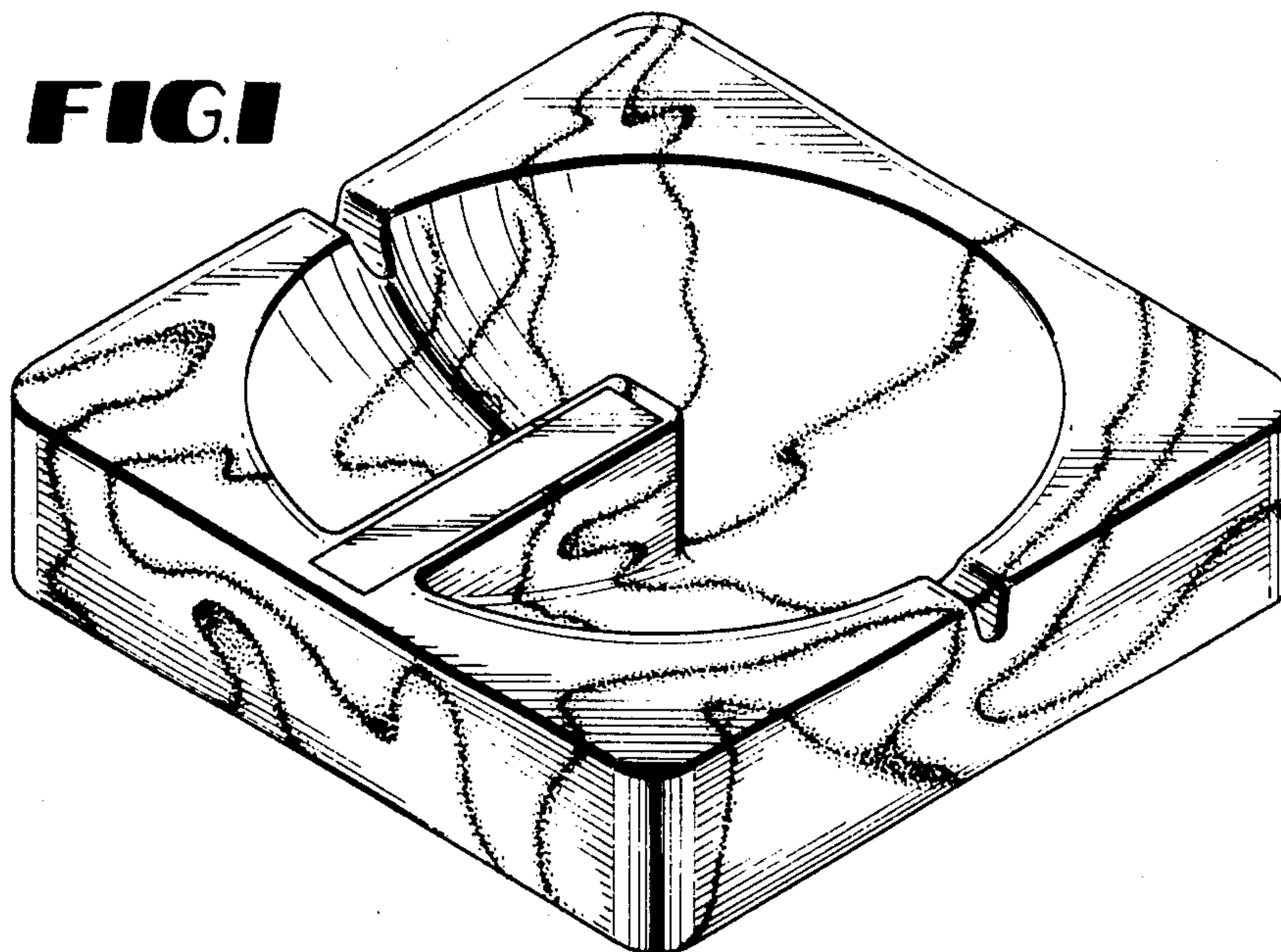


FIG. 2

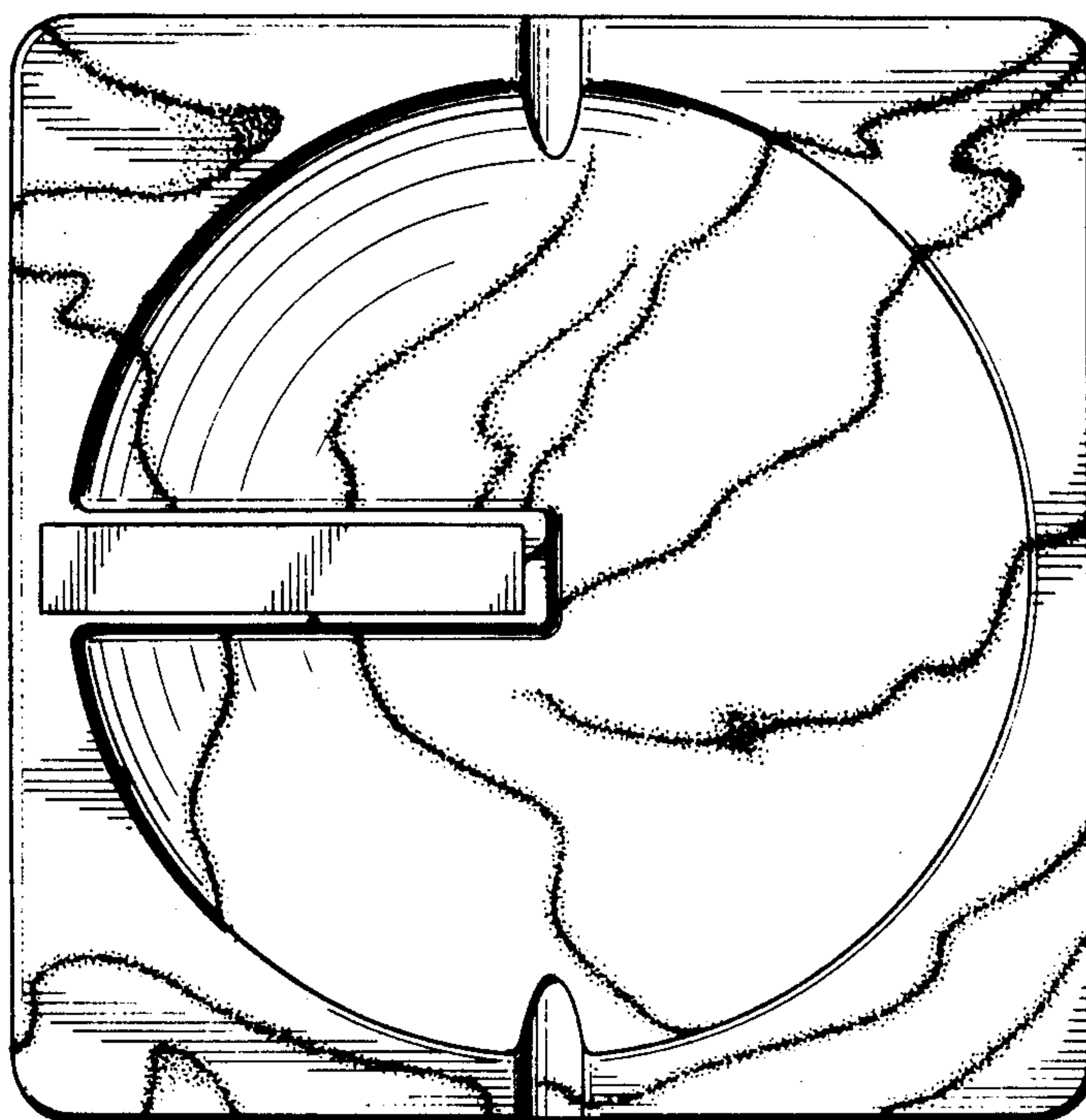


FIG.3

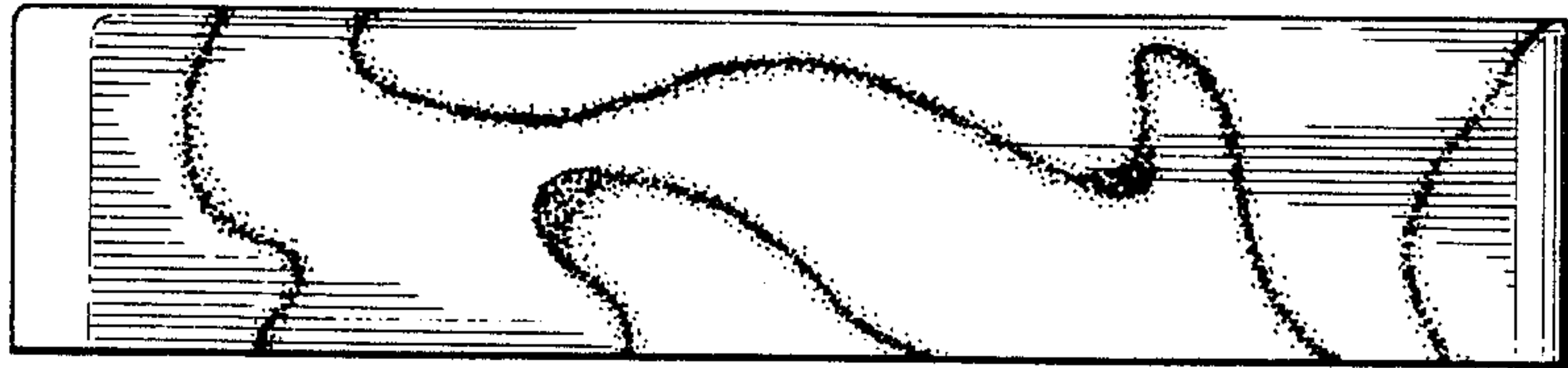


FIG.4

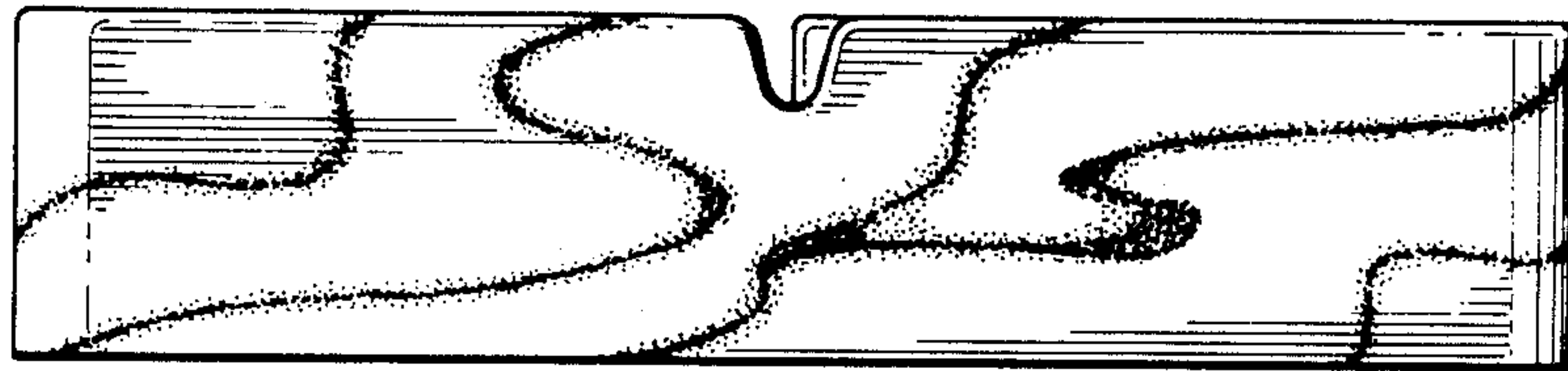


FIG.5

